



# A-dec 542 Side Delivery System

## INSTALLATION GUIDE



### Contents

---

Install the Delivery System . . .	4
Install the Water Bottle . . . . .	21
Install the Tray Holder (optional) . . . . .	21
Connect the Wires and Data Line . . . . .	22
Connect the Tubing . . . . .	28
Adjust the System . . . . .	30
Touchpad Settings . . . . .	36
Test the System . . . . .	45



### Before You Begin

---

- Check with local building and code authorities about installation requirements specific to your location.
- Check that the manual air shut-off valve is installed.
- For information about dimensions, range of motion and placing the utilities, see the following:
  - *A-dec 342 or 542 Side Delivery System Pre-Installation Guide* (p/n 86.0035.00)
  - *Preference Collection® Dental Furniture Pre-Installation Guide* (p/n 86.0142.00)
  - *A-dec Inspire® Dental Furniture Pre-Installation Guide* (p/n 86.0528.00)

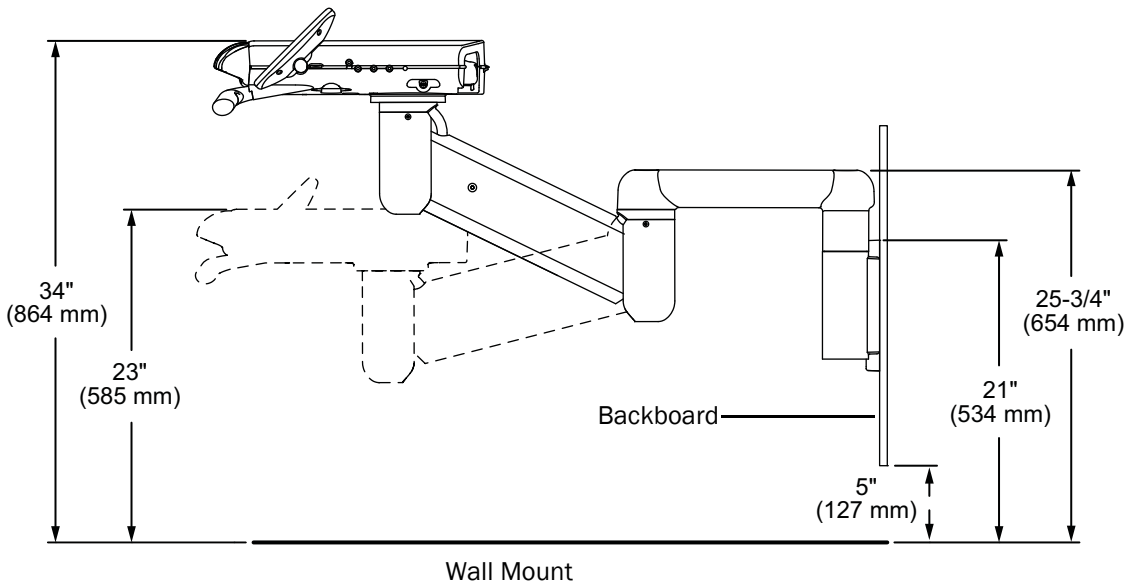
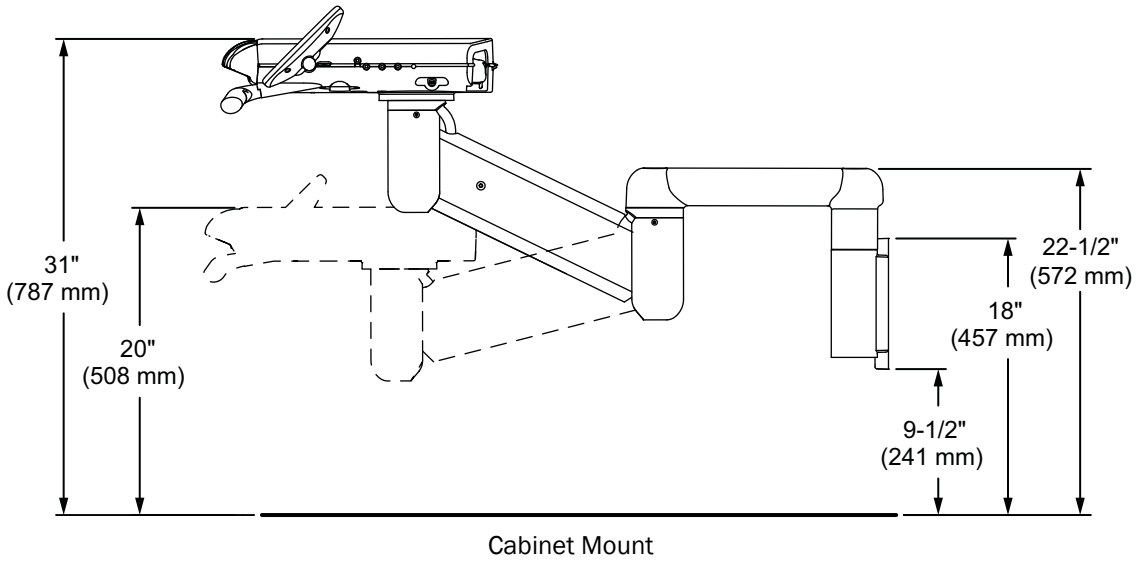


**WARNING** Consult a licensed professional, i.e. structural or architectural engineer, for mounting to metal stud or masonry walls. Ensure that all installations conform to local code requirements. Mounting structures must be designed to support a minimum shear load of 100 lb (445 N) and a minimum moment of 112 ft-lb (152 N-m).

## Recommended Tools

- Hex key set
- Phillips head and standard screwdrivers
- Adjustable wrench
- Needle nose pliers
- Standard pliers
- Diagonal cutters
- Level
- Drill and drill bits
- Umbilical snake

## Range of Motion Measurements



## Unpack the Delivery System

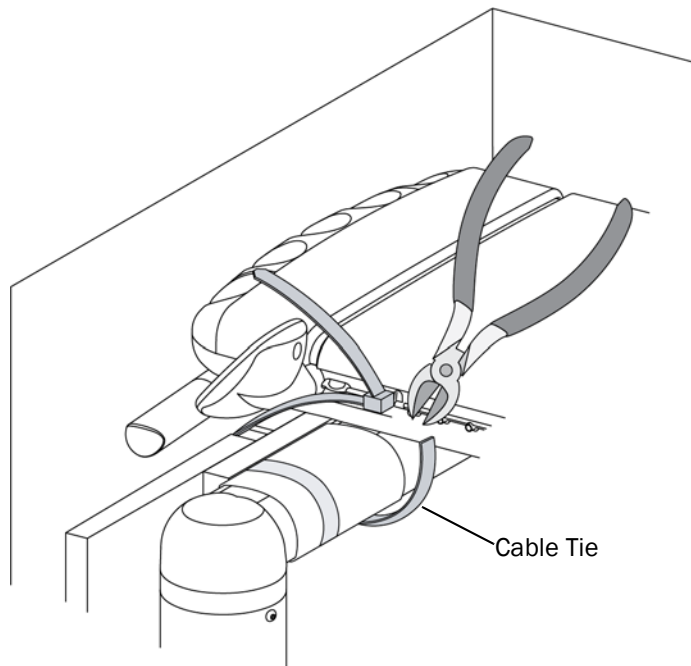
- 1 Remove the delivery system assembly from the box.



**WARNING** The rigid arm and flexarm are secured with a cable tie. Use caution when cutting the cable tie; the arms are spring loaded and may cause injury. When you cut the cable tie, remove the wood block that stabilized the control head during shipment.

---

- 2 Cut the first cable tie to remove the unit from the packaging material.



- 3 If installing on a cabinet, remove the doors and drawers to provide clear access.

# Install the Delivery System

Complete the instructions for the location where the delivery system will be installed.

**Install on a Cabinet** ..... 4  
**Install on a Wall** ..... 15

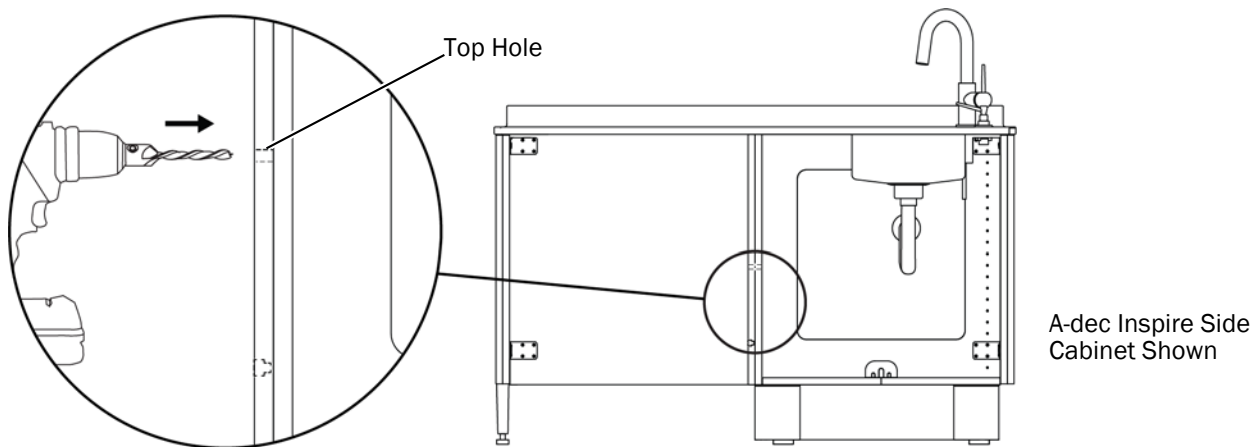
## Install on a Cabinet

### Install the Mounting Bracket

Complete the instructions for the location where the bracket will be installed.

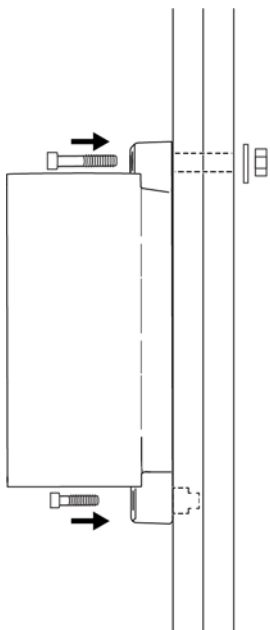
**A-dec Inspire and Preference Cabinets** ..... 4  
**Non-A-dec Cabinets** ..... 5

#### A-dec Inspire and Preference Cabinets



A-dec Inspire Side Cabinet Shown

- 1 All A-dec Inspire Side Cabinets and Preference Side Cabinets Opposite From the Sink Only - Use a 5/16" drill bit to extend the top two mount holes for the bracket through the adjacent cabinet.**



- 2** Align the holes in the bracket with the holes in the cabinet.
- 3** Use a 3/16" hex key and two screws to secure the bottom of the bracket.
- 4** Insert two screws in the top holes and use a 3/16" hex key and 7/16" wrench to loosely secure the bracket with the washers and nuts.



Top Mounting Screws - Actual Size

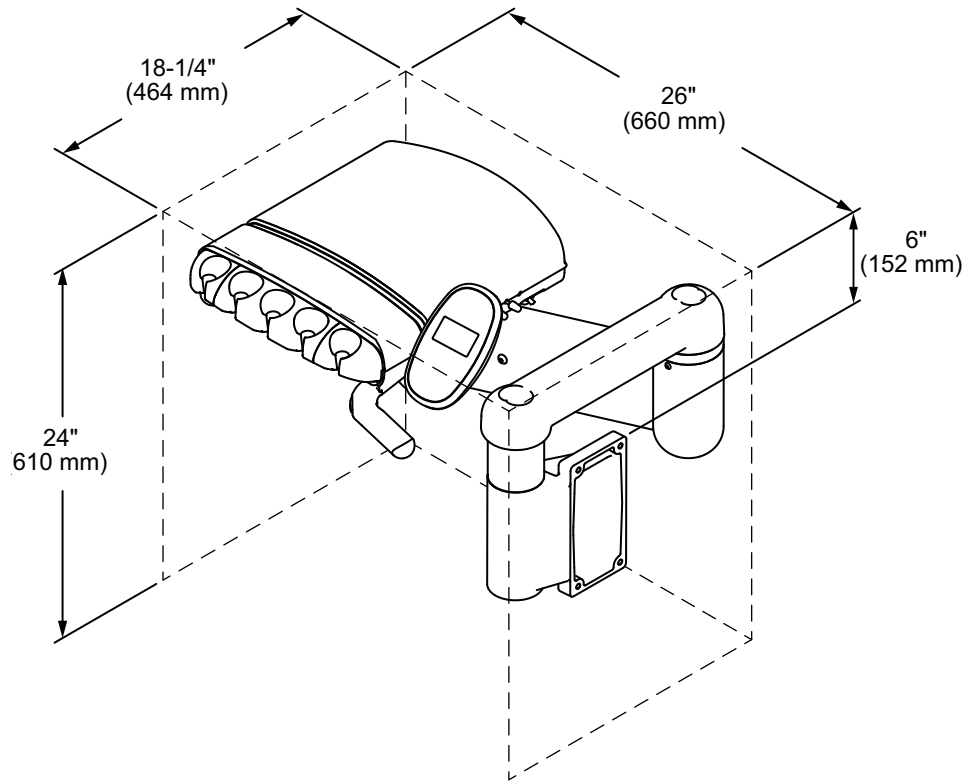


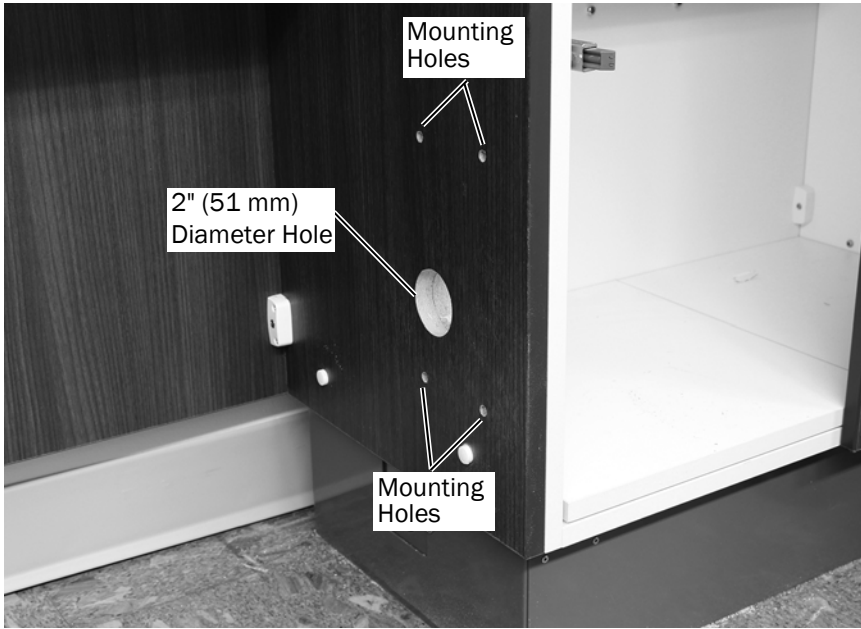
Bottom Mounting Screws - Actual Size

**Next Step** See "Install the Water Bottle" on page 21.

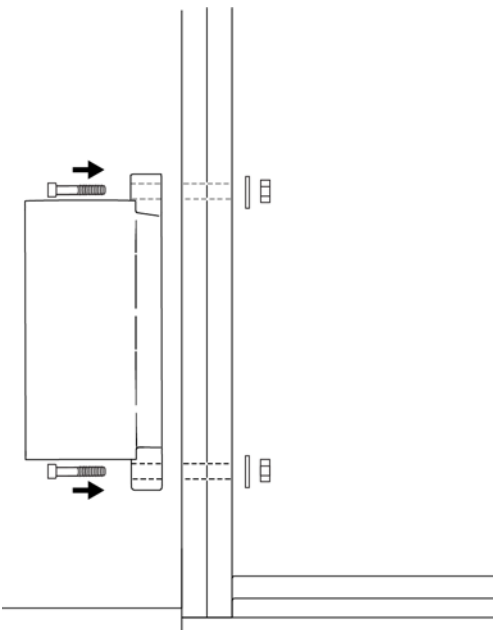
### Non-A-dec Cabinets

To be able to install the A-dec 542, the cabinet must have at least the following clearance in the space where it is to be installed.





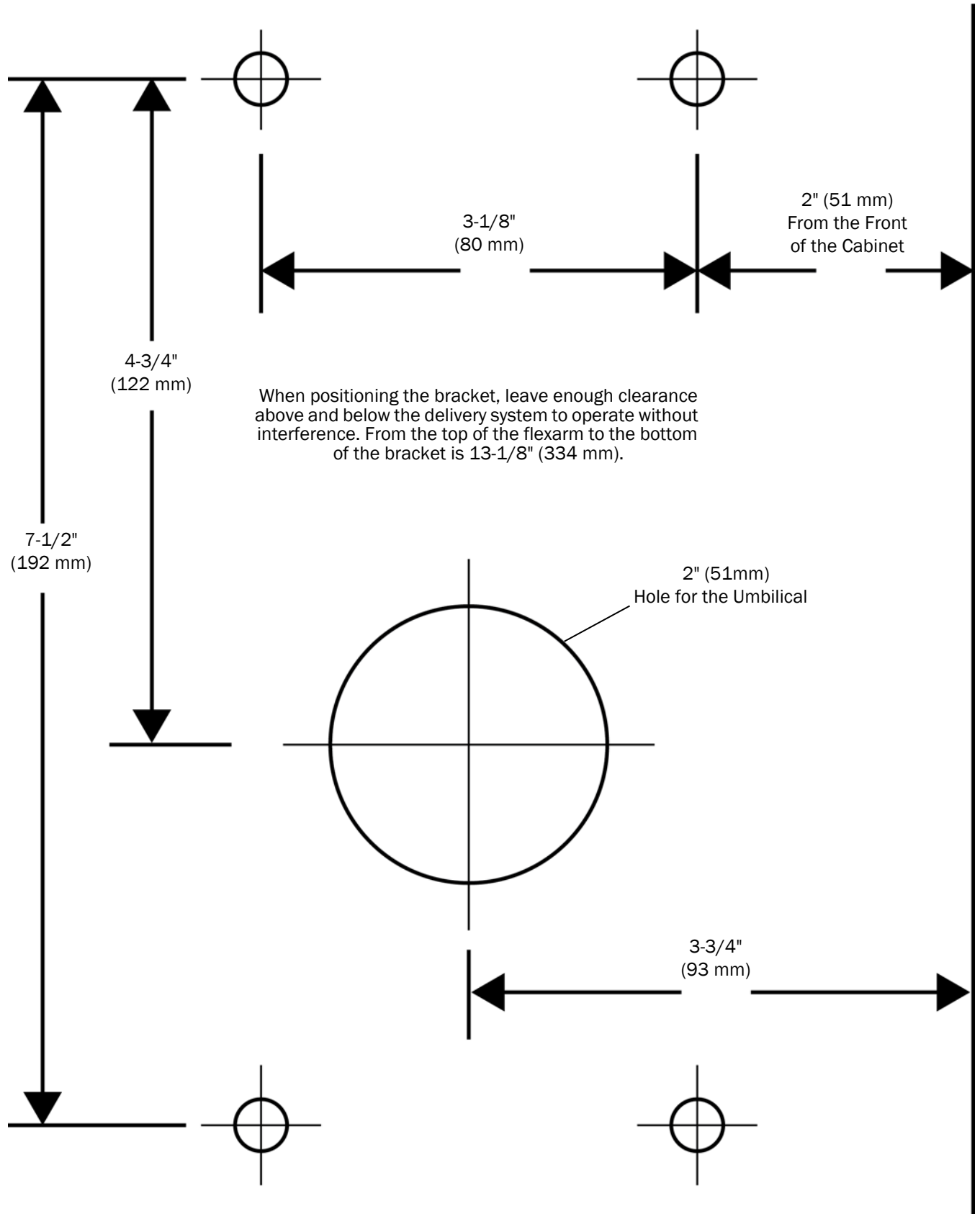
- 1** Tear out the Mounting Bracket Template on pages 7 and 8. Align the template with the front edge of the cabinet. Make sure to orient the template from the front of the cabinet.
- 2** Mark the 4 mounting holes and the 2" (51 mm) hole for the umbilical.
- 3** Use a 5/16" drill bit to drill the 4 mounting holes for the bracket.
- 4** Cut out the 2" (51 mm) hole for the umbilical.



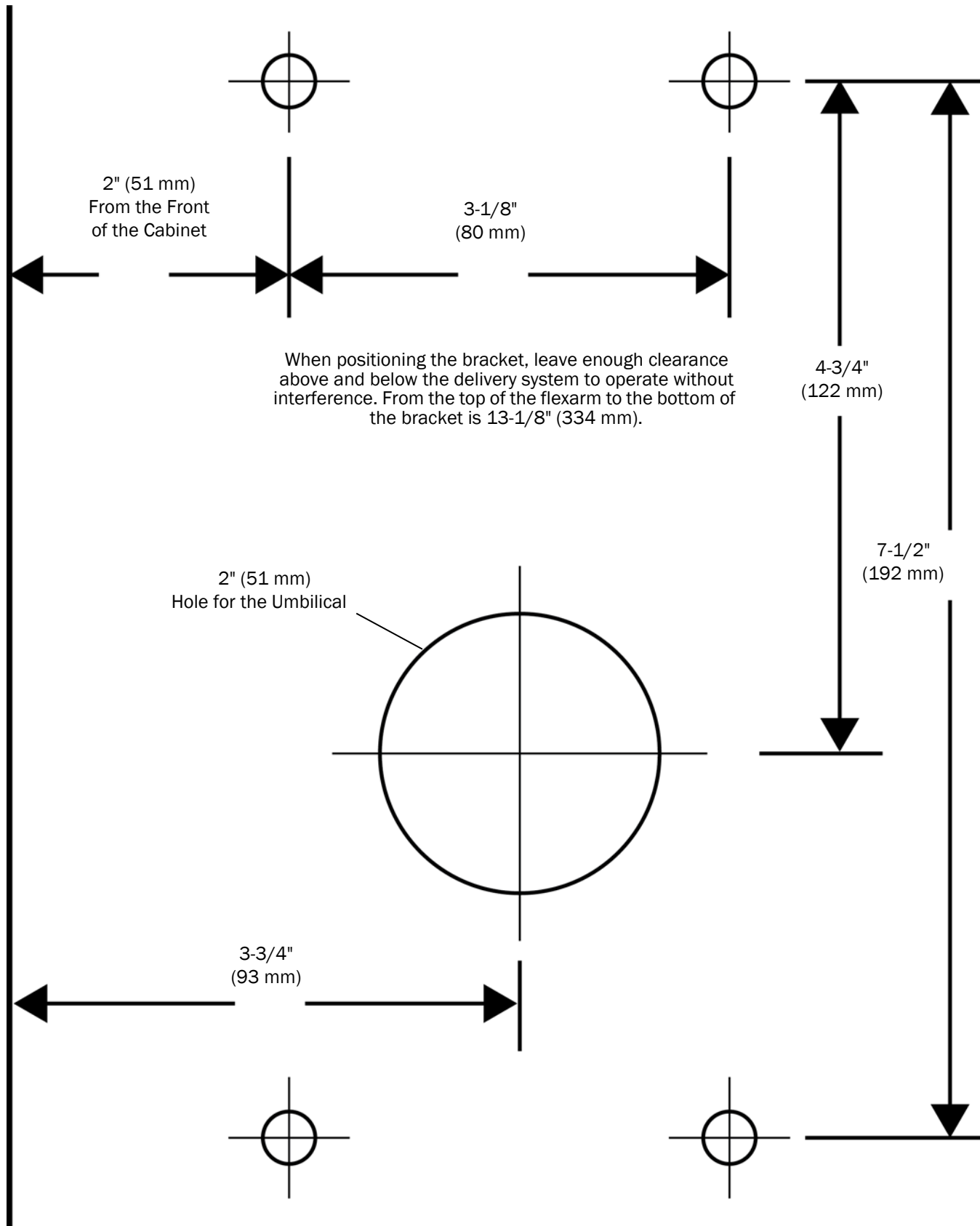
Mounting Screws - Actual Size

- 5** Insert four screws in the mounting holes and use a 3/16" hex key and 7/16" wrench to loosely secure the bracket with the washers and nuts.

### Mounting Bracket Template (Right-Hand Setup)

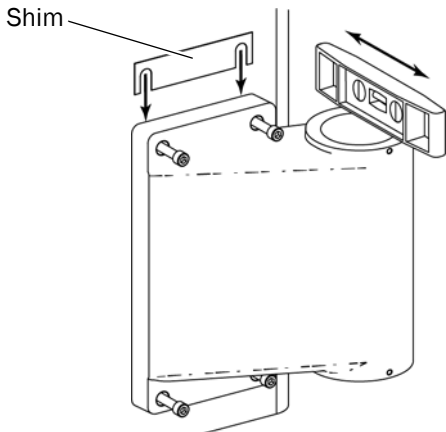


### Mounting Bracket Template (Left-Hand Setup)

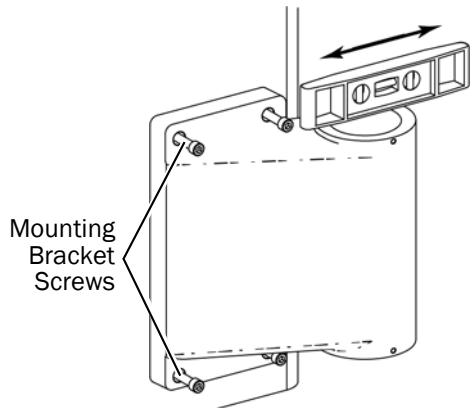




### Level the Mounting Bracket



- 1** Verify that the cabinet is level.
- 2** Check the side-to-side level. To adjust the level, insert shims from the kit between the mounting bracket and the cabinet.



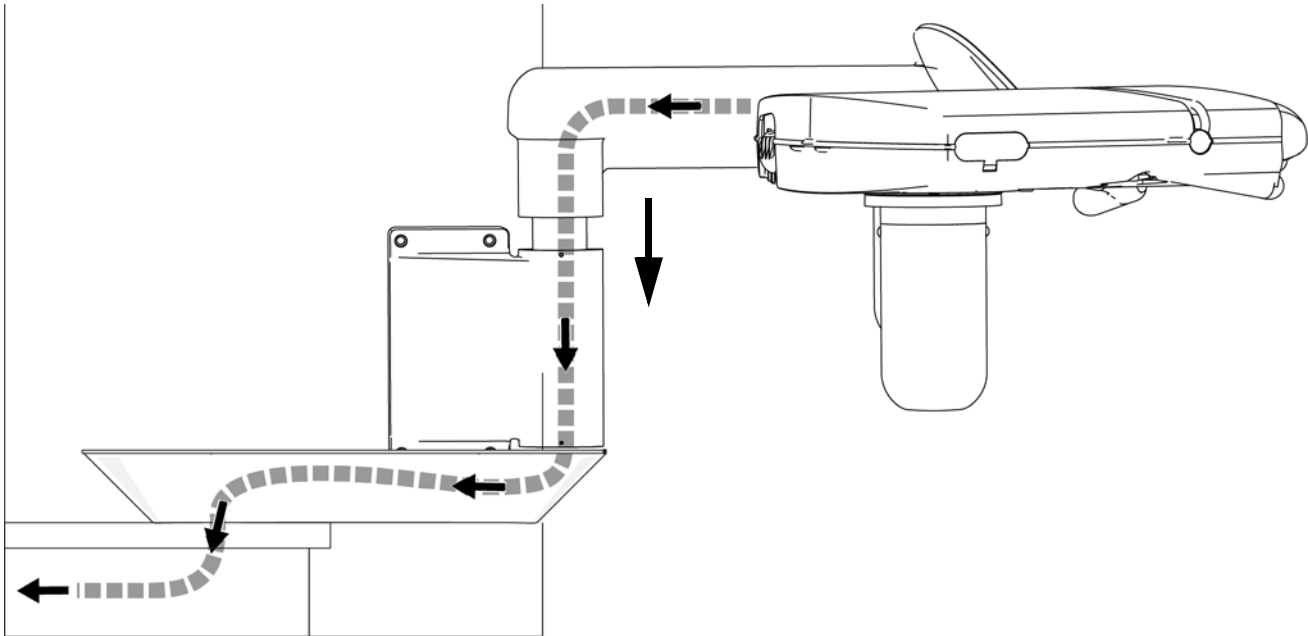
- 3** Check the front-to-back level. Loosen the mounting bracket screws, move the bracket until level, then retighten the screws.

### Install the Delivery System

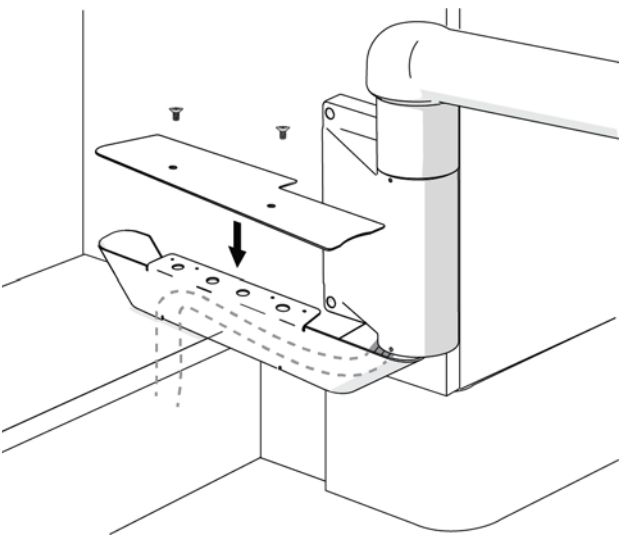
Complete the instructions for the location where the bracket will be installed.

<b>All A-dec Inspire Side Cabinets</b> .....	<b>10</b>
<b>A-dec Inspire and Preference Central Cabinets, Preference Side Cabinets Adjacent to a Sink, and Non-A-dec Cabinets</b> .....	<b>11</b>
<b>Preference Side Cabinets Opposite From a Sink</b> .....	<b>12</b>

### All A-dec Inspire Side Cabinets



- 1** Route the umbilical, wires, and data line down through the bracket and the chase to the utilities in the bottom of the cabinet.
- 2** Insert the rigid arm into the mounting bracket.

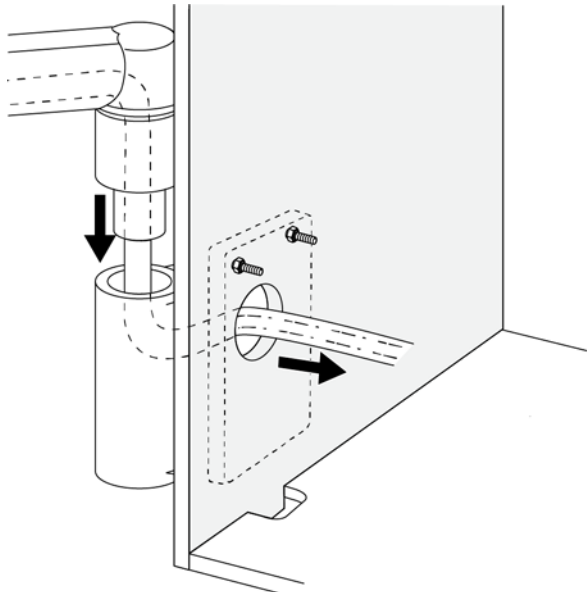


Chase Cover Screw - Actual Size

- 3** Use a Phillips head screwdriver and two screws to install the chase cover.

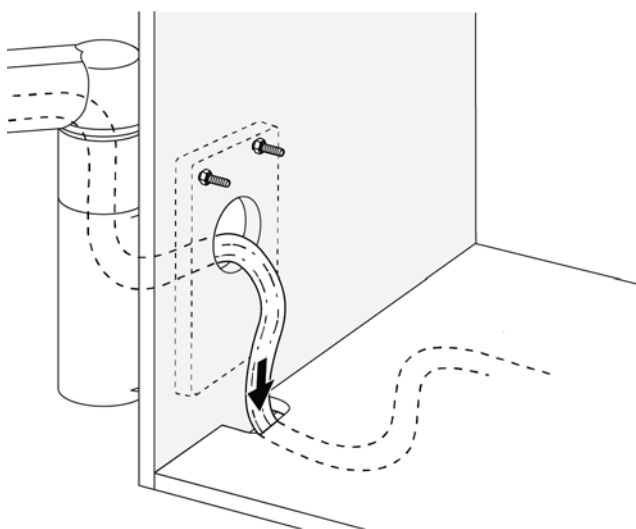
**Next Step** See "Install the Water Bottle" on page 21.

**A-dec Inspire and Preference Central Cabinets, Preference Side Cabinets Adjacent to a Sink, and Non-A-dec Cabinets**



- 1** Route the umbilical, wires and data line down through the bracket and into the cabinet/x-ray support column.
- 2** Insert the rigid arm into the mounting bracket.

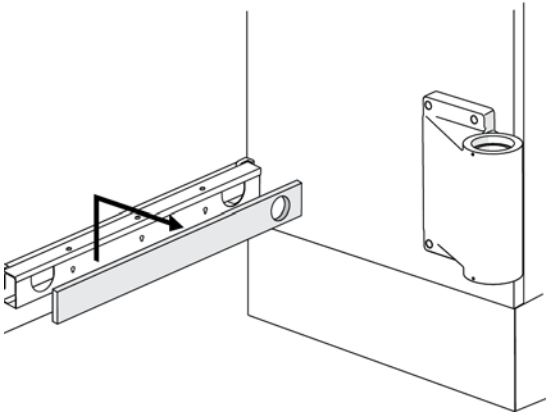
Preference Side Cabinet Adjacent to a Sink Shown



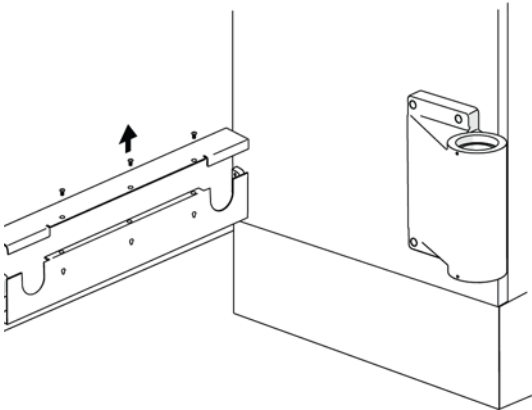
- 3** Route the umbilical, wires, and data line through the bottom of the cabinet to the utilities.

**Next Step** See "Install the Water Bottle" on page 21.

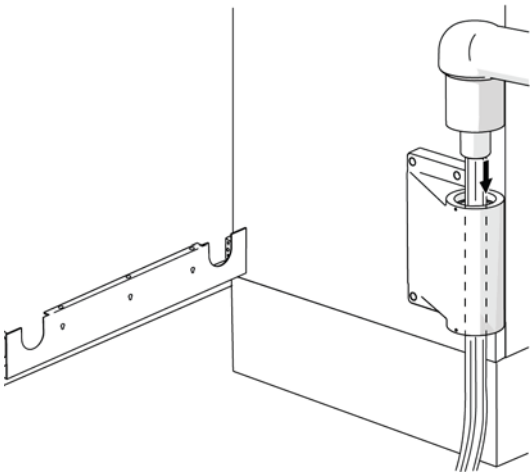
### Preference Side Cabinets Opposite From a Sink



- 1** Slide the wood faceplate up and off of the chase.

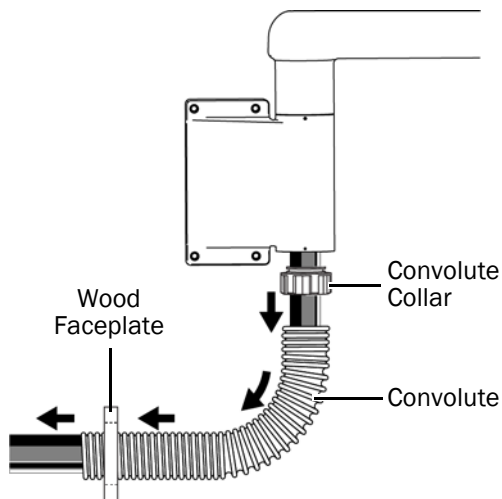


- 2** Use a Phillips head screwdriver to remove the top cover of the chase.

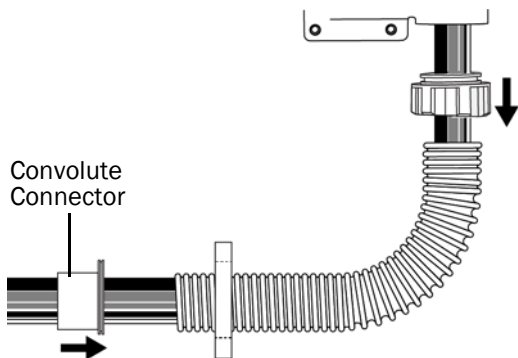


- 3** Route the umbilical, wires, and data line down through the bracket.

- 4** Insert the rigid arm into the mounting bracket.



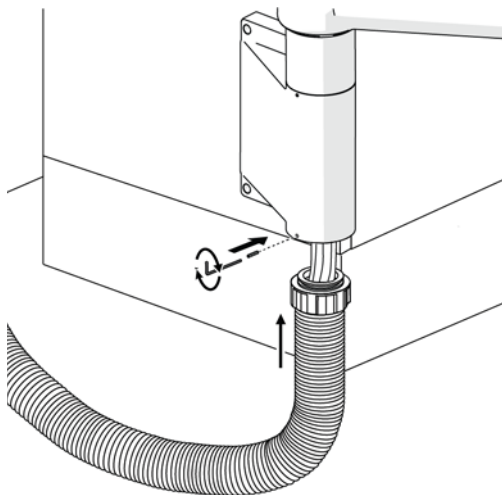
- 5 With the convolute collar's threads facing the convolute, route the umbilical, wires, and data line through the convolute collar and convolute, then route the convolute through the wood faceplate.



- 6 With the convolute connector's threads facing the convolute, route the umbilical through the connector, then screw the convolute connector and convolute collar onto the convolute.



**NOTE** The convolute collar and convolute connector are reverse threaded.

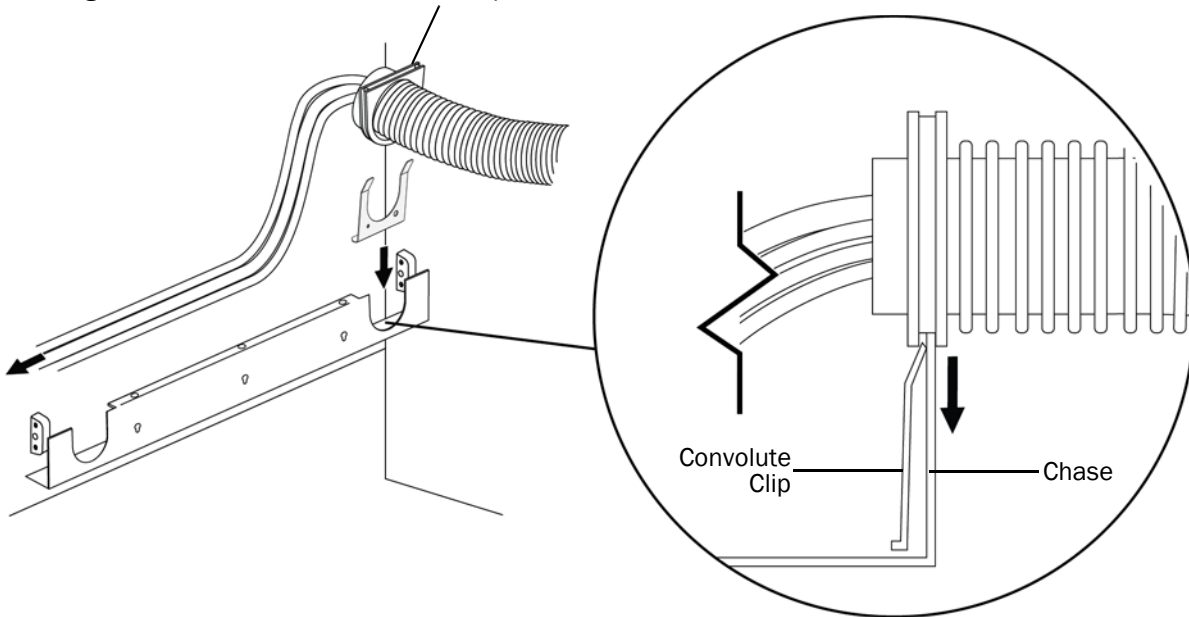


- 7 Push the convolute collar into the bracket and use a 1/16" hex key and setscrew to secure the collar to the bracket.

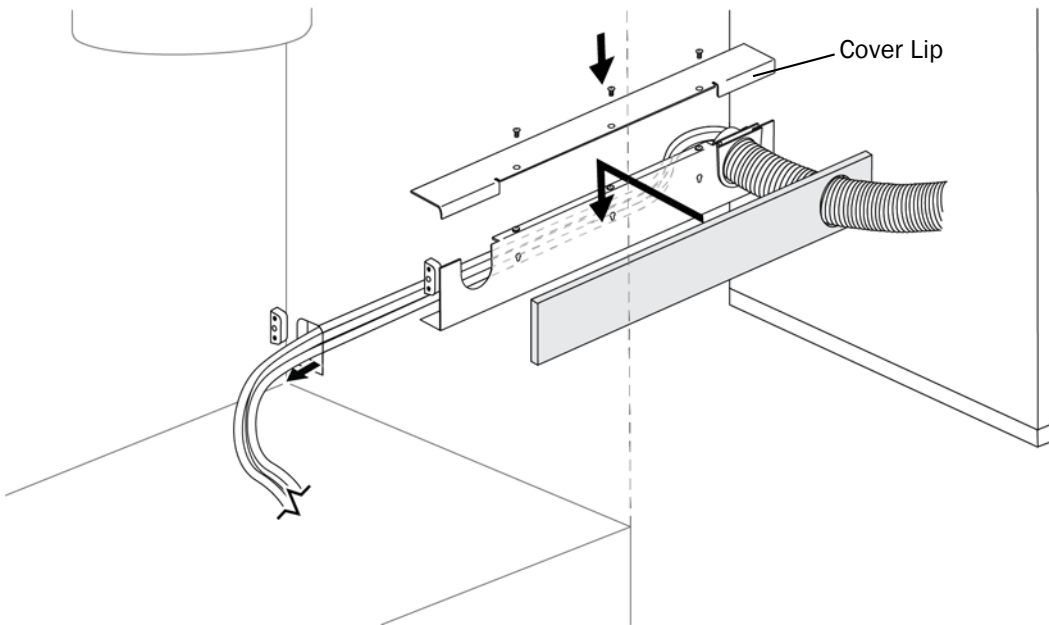


Setscrew - Actual size

Flat Edge of the Convolute Connector on Top



- 8** Place the convolute clip into the chase against the cutout for the convolute, then slide the convolute connector into the cutout with both the chase and clip sliding into its slot.



- 9** Route the umbilical through the chase into the sink module and to the bottom of the cabinet. Replace the cover and faceplate.



**TIP** The two lips of the cover go behind the front of the chase.

**Next Step** See "Install the Water Bottle" on page 21.

## Install on a Wall

### Install the Backboard



**WARNING** Do not use hollow wall fasteners that rely on non-structural elements. A-dec is not responsible for any damage resulting from the use of hollow wall fasteners.

---



**WARNING** Consult a licensed professional, i.e. structural or architectural engineer, for mounting to metal stud or masonry walls. Ensure that all installations conform to local codes. Walls must be designed to support a minimum shear load of 39 lb (173 N) and a minimum moment of 105 ft-lb (142 N · m).

---

#### **1** Determine the backboard mounting location.

- Maximum arm extension as measured from the backboard:
  - 45" (114 cm) for a 13" (33 cm) arm
  - 54" (137 cm) for a 22" (56 cm) arm
- Maximum vertical travel of the worksurface: 10" (25 cm)
- Recommended distance from the bottom of the backboard to the floor is 5" (13 cm). Adjust its position according to the office space and the preferences of the doctor.

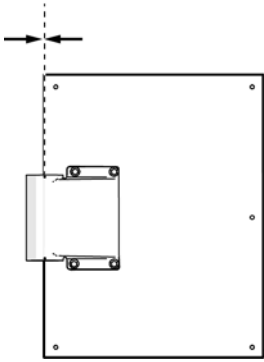
The images on the following page show the wall backboard and mounting bracket positioning options.



**IMPORTANT** For a template to assist placing the backboard and additional A-dec 542 information, see *A-dec 342, 542 Wall-Mount Backboard Template* (p/n 85.0049.00)

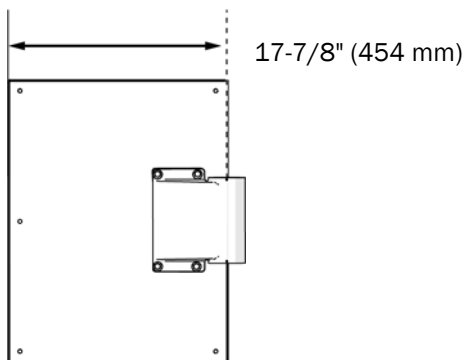
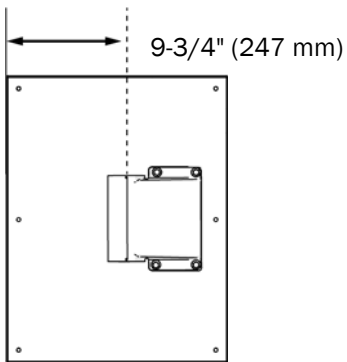
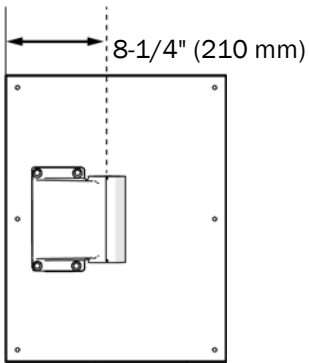
---

1/8" (3 mm)

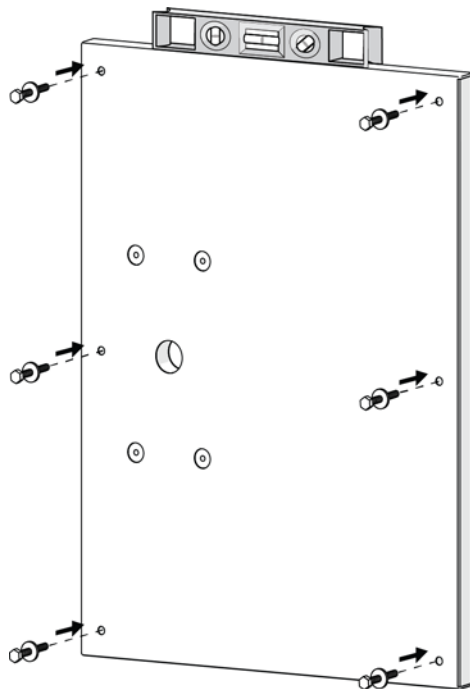


### Backboard and Bracket Mounting Position Options

Distances are measured from the edge of the backboard to the center of the rigid arm's position in the mounting bracket.







- 2** Place the backboard where it is to be installed.
- 3** Make sure the backboard is level and mark the six backboard mounting holes.



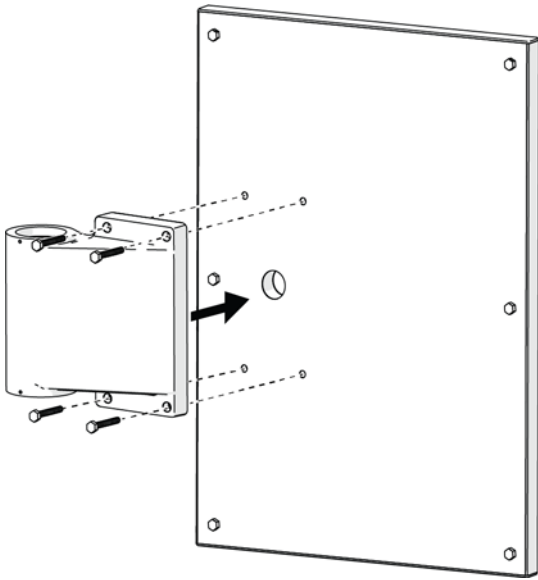
**WARNING** The following instructions are for securing the backboard to wood studs only. Consult a licensed professional, such as a structural or architectural engineer, for mounting to metal studs or a masonry wall. Ensure that all installations conform to local code requirements.

- 4** Use a 3/16" drill bit to drill the mounting holes into the studs.
- 5** Install the washers onto the six lag screws.
- 6** Align the backboard with the mounting holes and use a 7/16" socket and ratchet to loosely secure the backboard with the lag screws.
- 7** Check for level, then fully tighten the screws.



Lag Screws - Actual size

## Install the Mounting Bracket

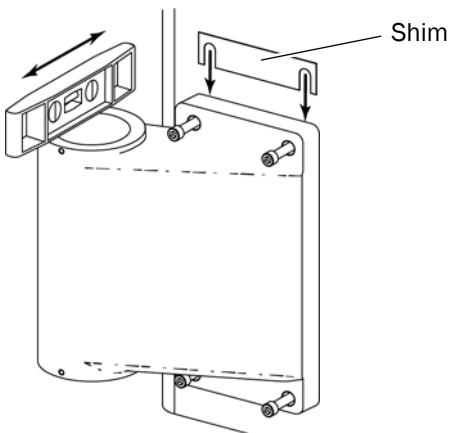


Left-Side Mounting Position Shown

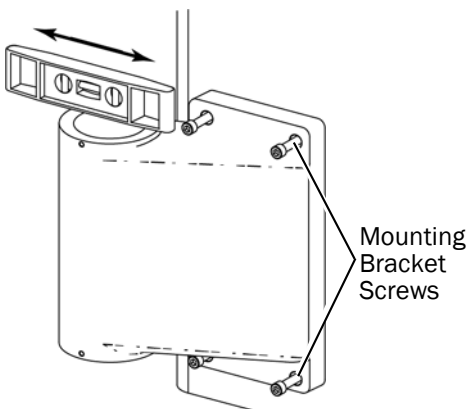
- 1** Align the holes in the bracket with the holes in the backboard.
- 2** Use a 3/16" hex key and four screws to secure the bracket to the backboard.



Mounting Screw - Actual Size

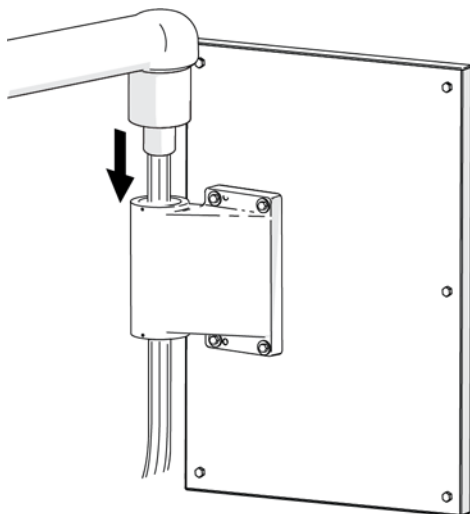


- 3** Verify that the backboard is level.
- 4** Check the side-to-side level. To adjust the level, insert shims from the kit between the mounting bracket and the cabinet.

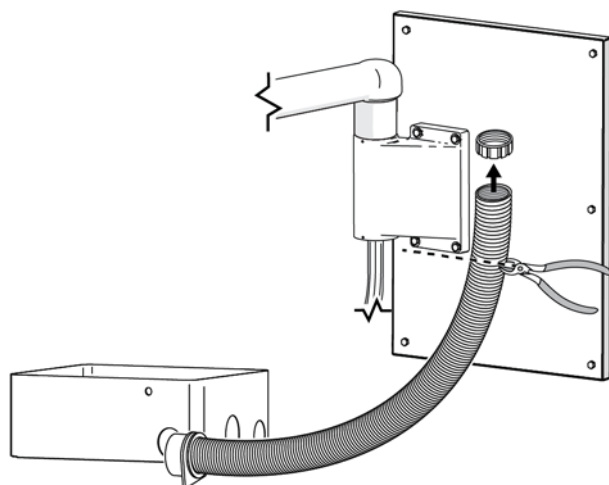


- 5** Check the front-to-back level. Loosen the mounting bracket screws, move the bracket until it's level, then retighten the screws.

## Install the Delivery System



- 1** Route the umbilical, wires, and data line down through the bracket.
- 2** Insert the rigid arm into the mounting bracket.



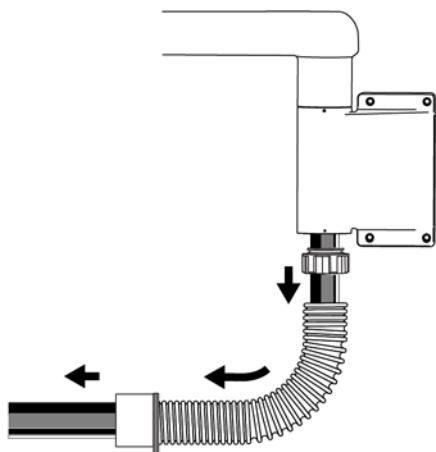
- 3** Remove the protective layer from the floor box and place the floor box around the utilities.
- 4** Remove the convolute collar from the convolute.



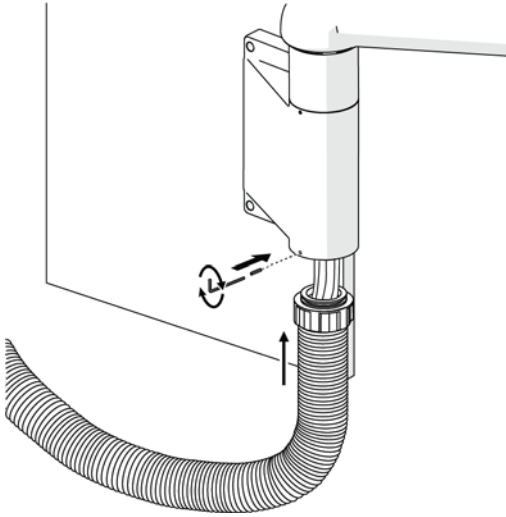
**NOTE** The convolute collar is reverse threaded.



**CAUTION** Do not cut the additional wires and tubing that are included for routing to the chair or the product will fail to function.



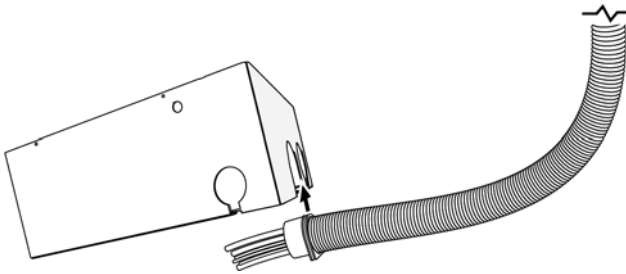
- 5** Measure the distance from the bottom of the bracket to the floor box and cut the convolute to fit.
- 6** Reattach the convolute collar, then route the umbilical, wires, and data line through the convolute.



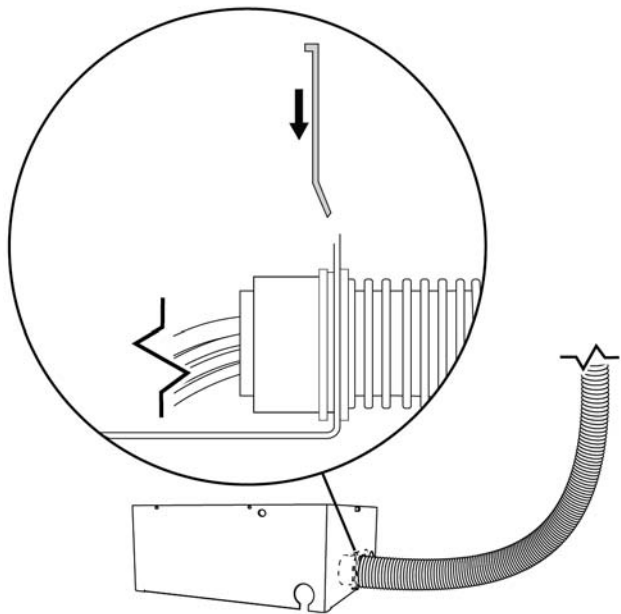
- 7** Push the umbilical collar into the bracket and use a 1/16" hex key and setscrew to secure the collar to the bracket.



Setscrew - Actual size



- 8** Slide the arch on the side of the floor box into the slot in the convolute connector.



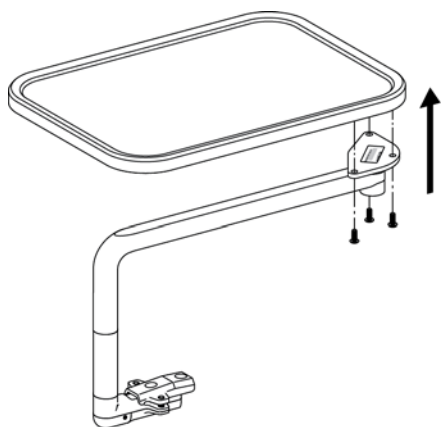
- 9** To secure the convolute to the floor box, slide the convolute clip into the slot in the connector.

## Install the Water Bottle

To install the remote mount water bottle, use the instructions that ship with the water bottle.

## Install the Tray Holder (optional)

1. The installation instructions are the same for all sizes of tray holders.

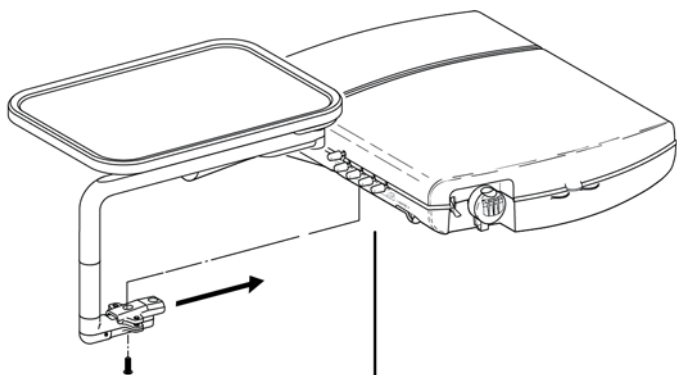


Standard Tray Holder on a Traditional Delivery System Shown

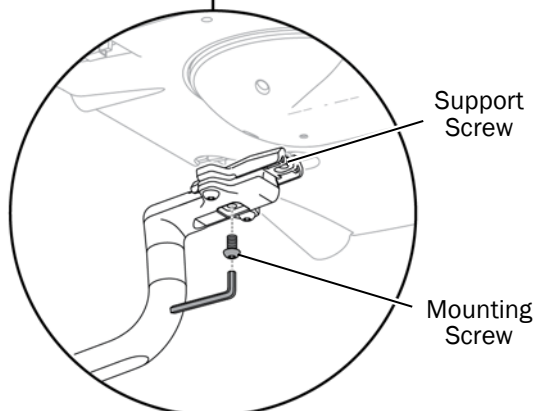
- 1 Use a 1/8" hex key and three screws to attach the tray support arm to the tray holder.



Tray Mounting Screw - Actual Size



- 2 Slide the tray support arm in place around the support screw in the bottom of the control head.
- 3 Use a 5/32" hex key and a mounting screw to secure the support arm to the control head.



Arm Mounting Screw - Actual Size

## Connect the Wires and Data Line

### Connect the Wires



**ATTENTION** Circuit boards are sensitive to static electricity. Electrostatic Discharge (ESD) precautions are required when touching a circuit board or making connections to or from the circuit board. Circuit boards should be installed only by an electrician or qualified service person.

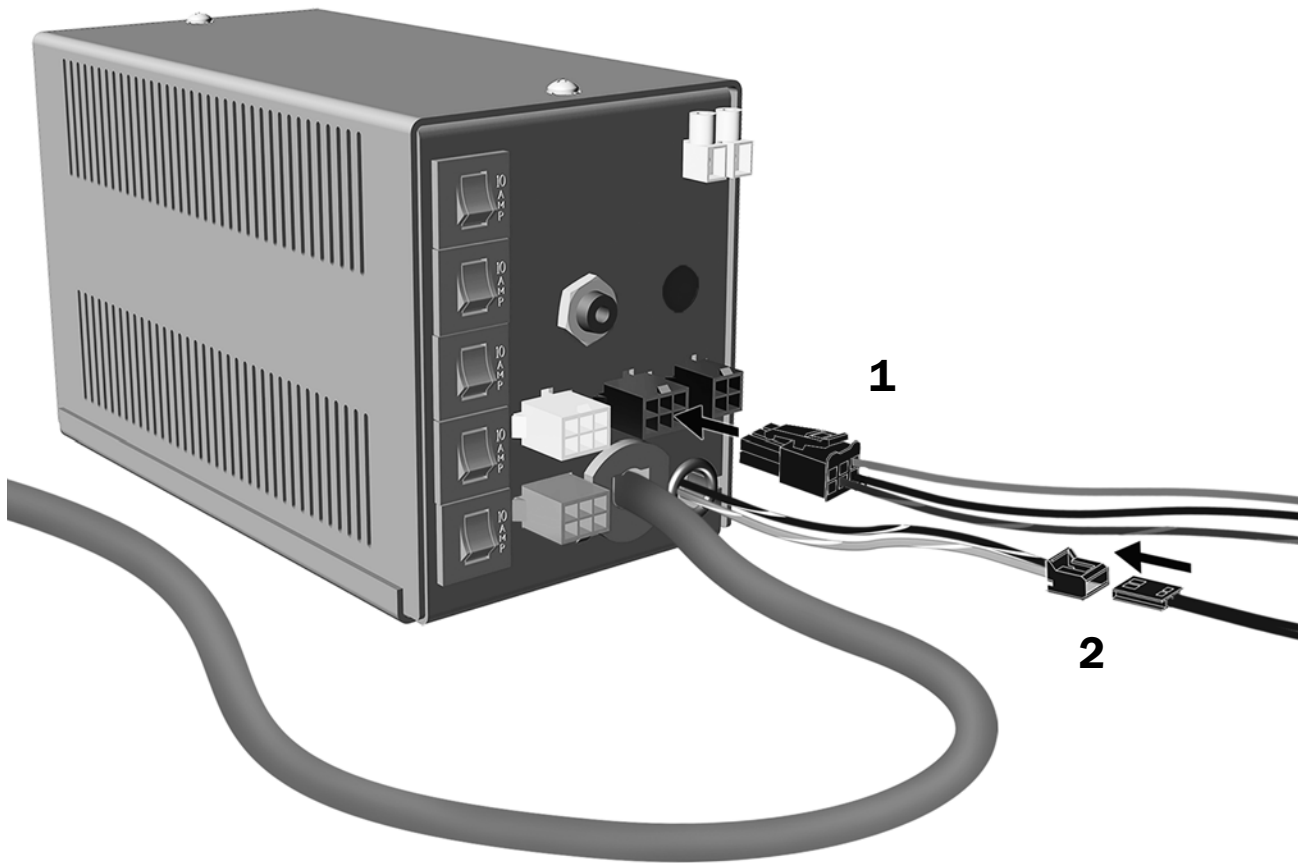
Complete the instructions for the location where the power supply will be installed.

<b>Stand-Alone Power Supply</b> .....	<b>22</b>
<b>A-dec 511 Dental Chair</b> .....	<b>24</b>
<b>A-dec 311/411 Dental Chair</b> .....	<b>25</b>

### Connect the Wires to an A-dec Stand-Alone Power Supply

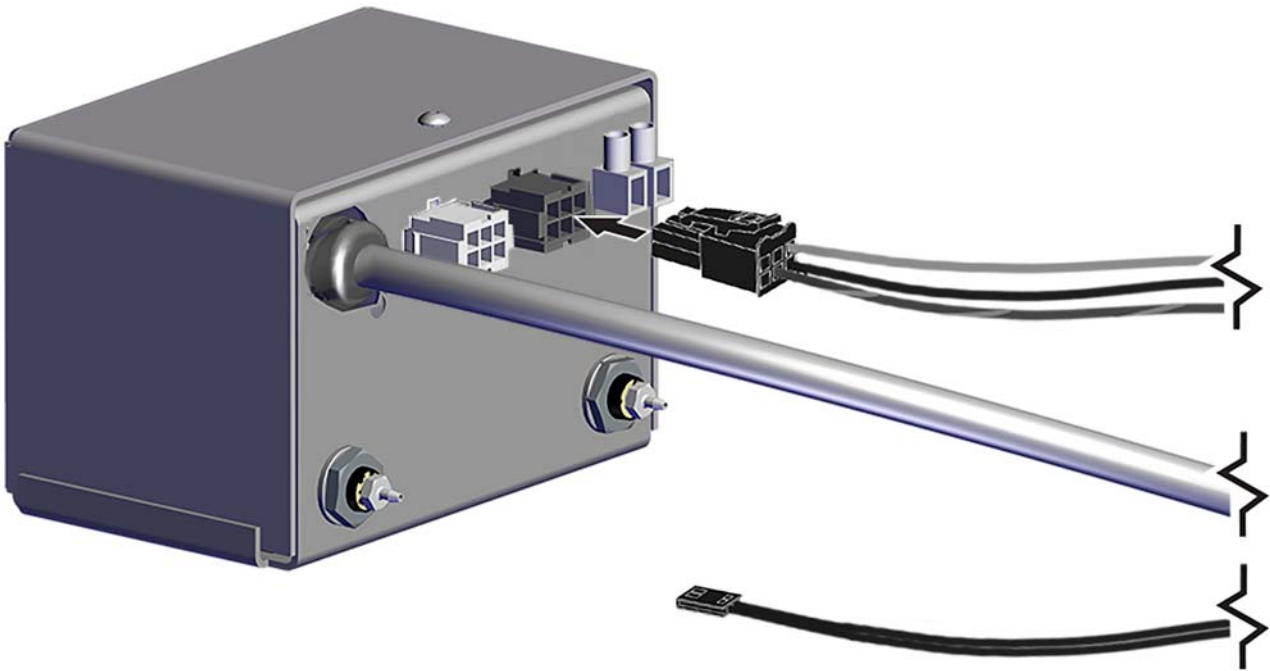
<b>Connect to a 300 W Stand-Alone Power Supply</b> .....	<b>22</b>
<b>Connect to a 25 W Stand-Alone Power Supply</b> .....	<b>23</b>

#### Connect to a 300 W Stand-Alone Power Supply



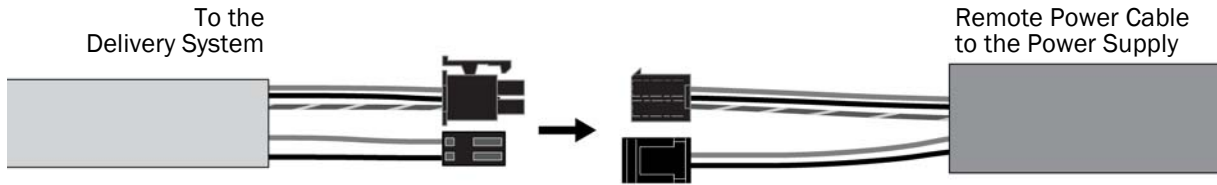
- 1** Connect the six-position connector to the power supply.
- 2** Connect the two-position connector to the 24 VAC isolated lead.

**Connect to a 25 W Stand-Alone Power Supply**

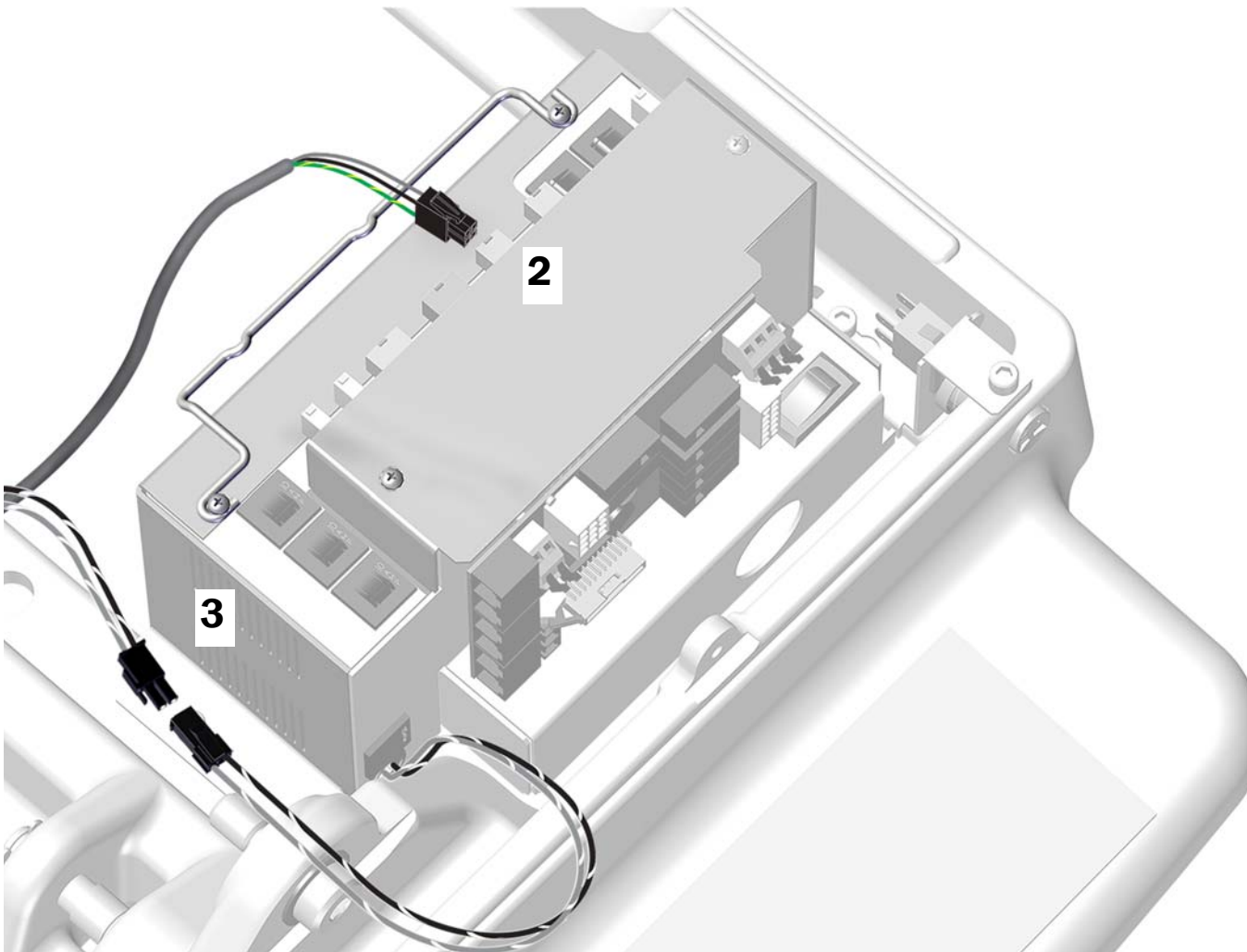


- 1** Connect the four-position connector to the black four-pin connector on the power supply. Do not connect the two-position connector.

## Connect the Wires to an A-dec 511 Dental Chair



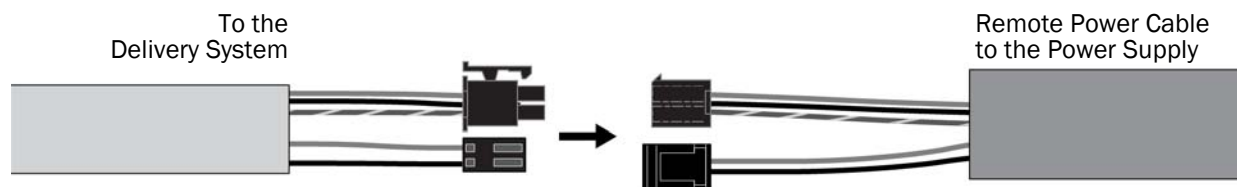
- 1** Connect the four-pin and two-pin connectors from the delivery system to the connectors on the remote power cable.



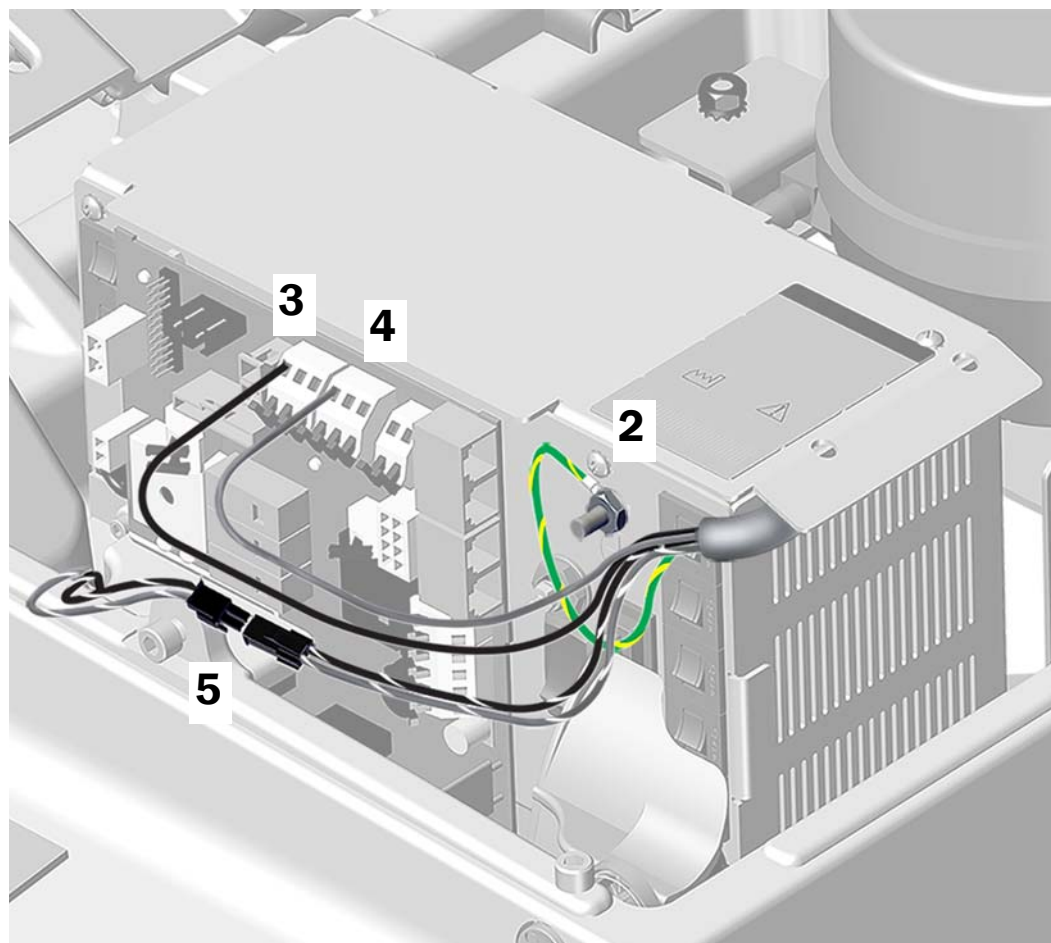
- 2** Connect the remote power cable's four-position connector to the power supply.
- 3** Connect the remote power cable's two-position connector to the 24 VAC isolated lead.



## Connect the Wires to an A-dec 311/411 Dental Chair



- 1** Connect the four-pin and two-pin connectors from the delivery system to the connectors on the remote power cable.



A-dec 411 Power Supply Shown

- 2** Attach the ground wire.
- 3** Connect the black wire to 0 V.
- 4** Connect the gray wire to 24 V.
- 5** Connect the two-position connector to the 24 VAC isolated lead.

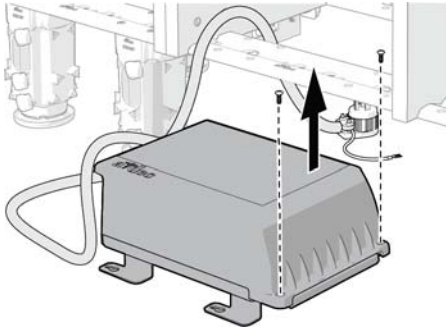
## Connect the Data Line

If the system includes a data line, follow the instructions for the type of connection to install it.

**Connect to an A-dec Inspire Distribution Box . . . . .26**

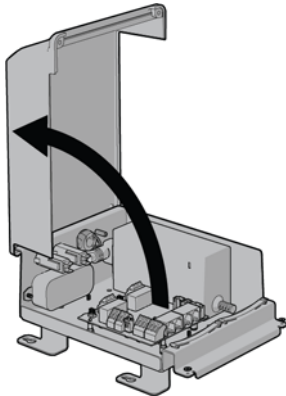
**Connect to an A-dec Chair . . . . .27**

### Connect to an A-dec Inspire Distribution Box



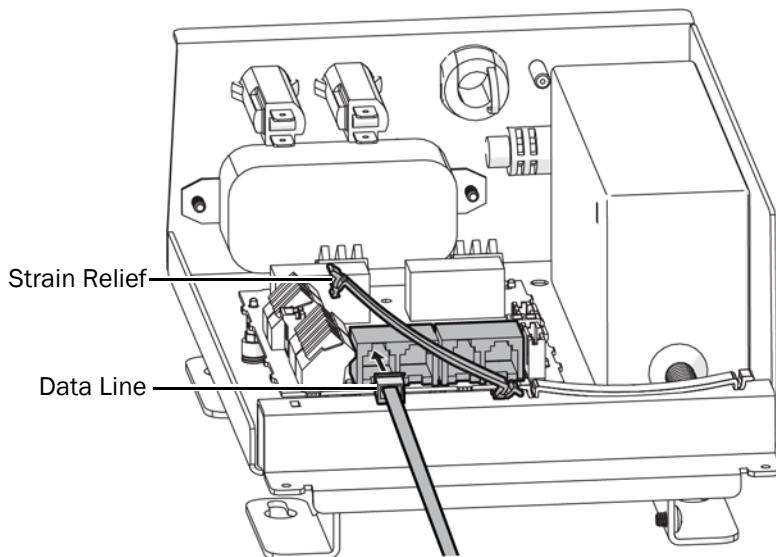
**TIP** To provide easier access for making connections, position the distribution box outside of the cabinet

**1** Loosen the two screws securing the lid.



**ATTENTION** Circuit boards are sensitive to static electricity. Electrostatic Discharge (ESD) precautions are required when touching a circuit board or making connections to or from the circuit board. Circuit boards should be installed only by an electrician or qualified service person.

**2** Remove the cover.

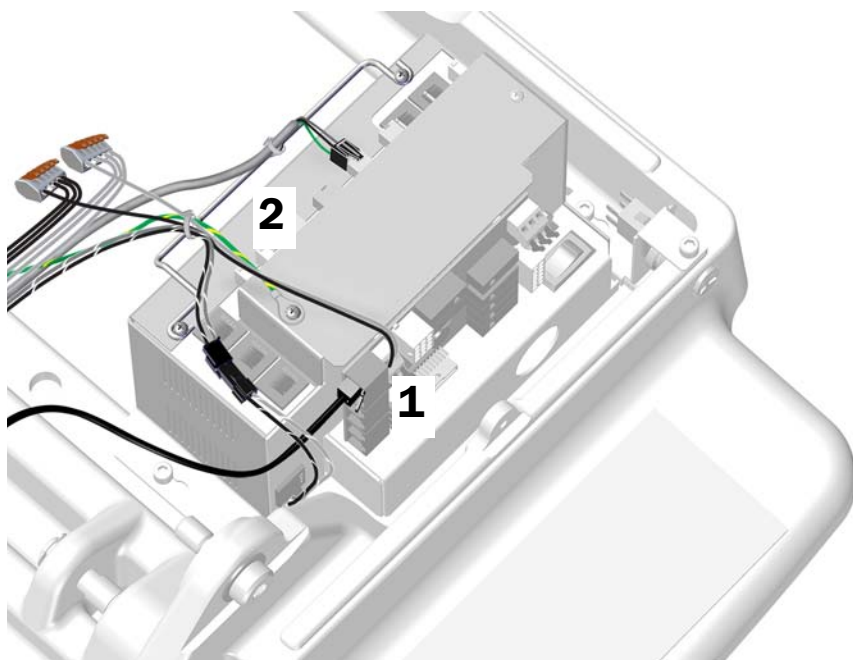


**3** Plug in the data line. It does not matter which data port the line plugs into.

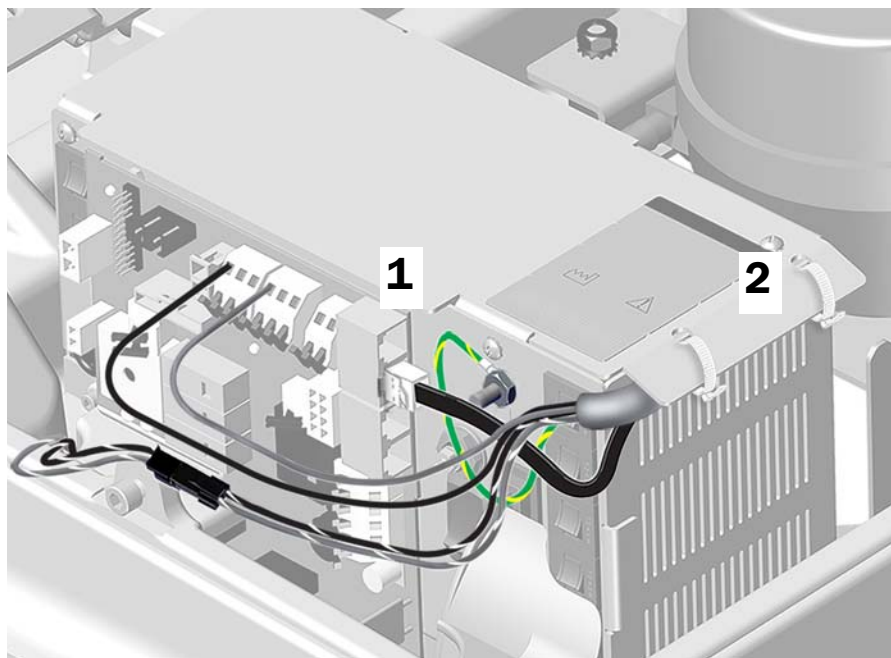
**4** Secure the data line under the strain relief.

### Connect to an A-dec Dental Chair

- 1** Plug in the data line. It does not matter which data port the line plugs into.
- 2** Secure the wires and data line according to the type of chair.



A-dec 511 Power Supply  
Use cable ties to secure the wires to the rail.

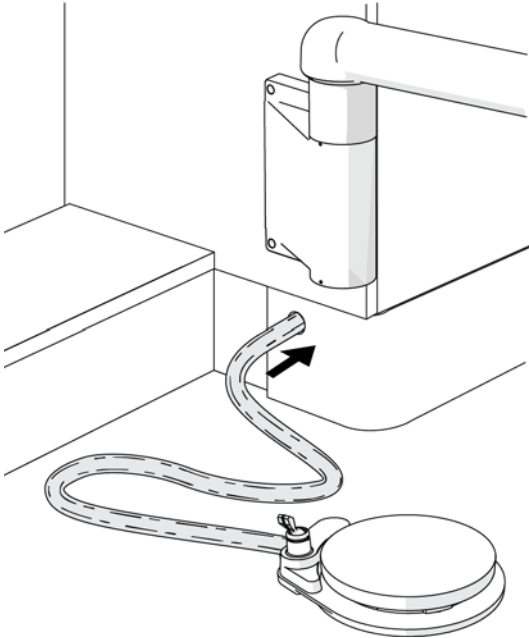


A-dec 311/411 Power Supply  
Use cable ties to secure the wires and data line under the lip.

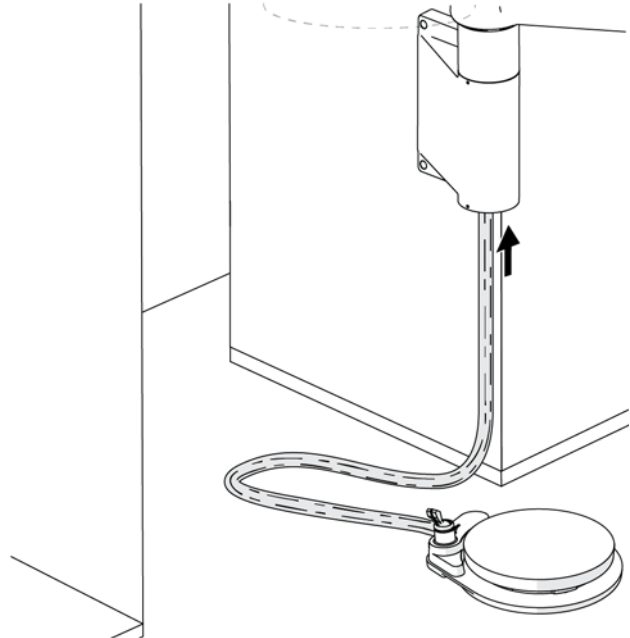
## Connect the Tubing

### Install the Foot Control

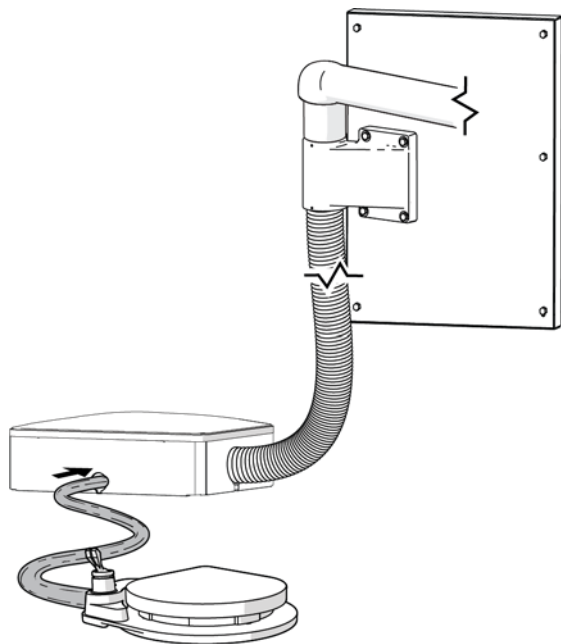
Route the foot control tubing according to where it will be installed.



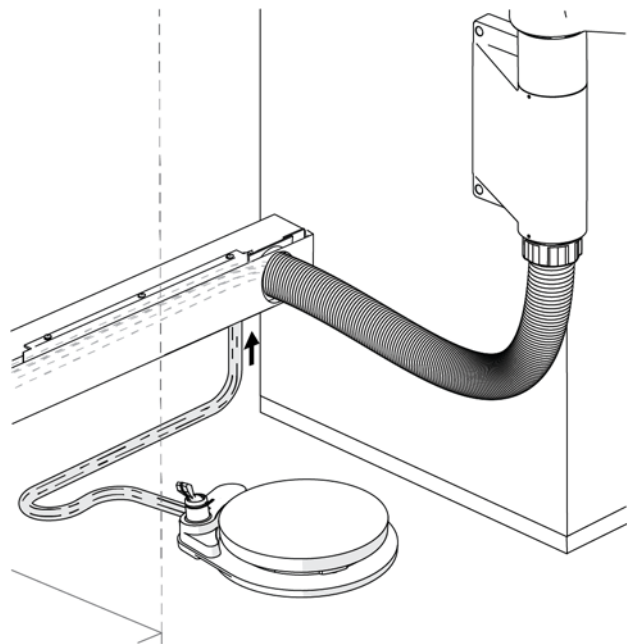
A-dec Inspire Cabinets



Preference Cabinets - Adjacent to the Sink



Wall Mount



Preference Cabinets - Opposite from the Sink

## Connect the Tubing

Connect the tubing according to the following flow diagram.



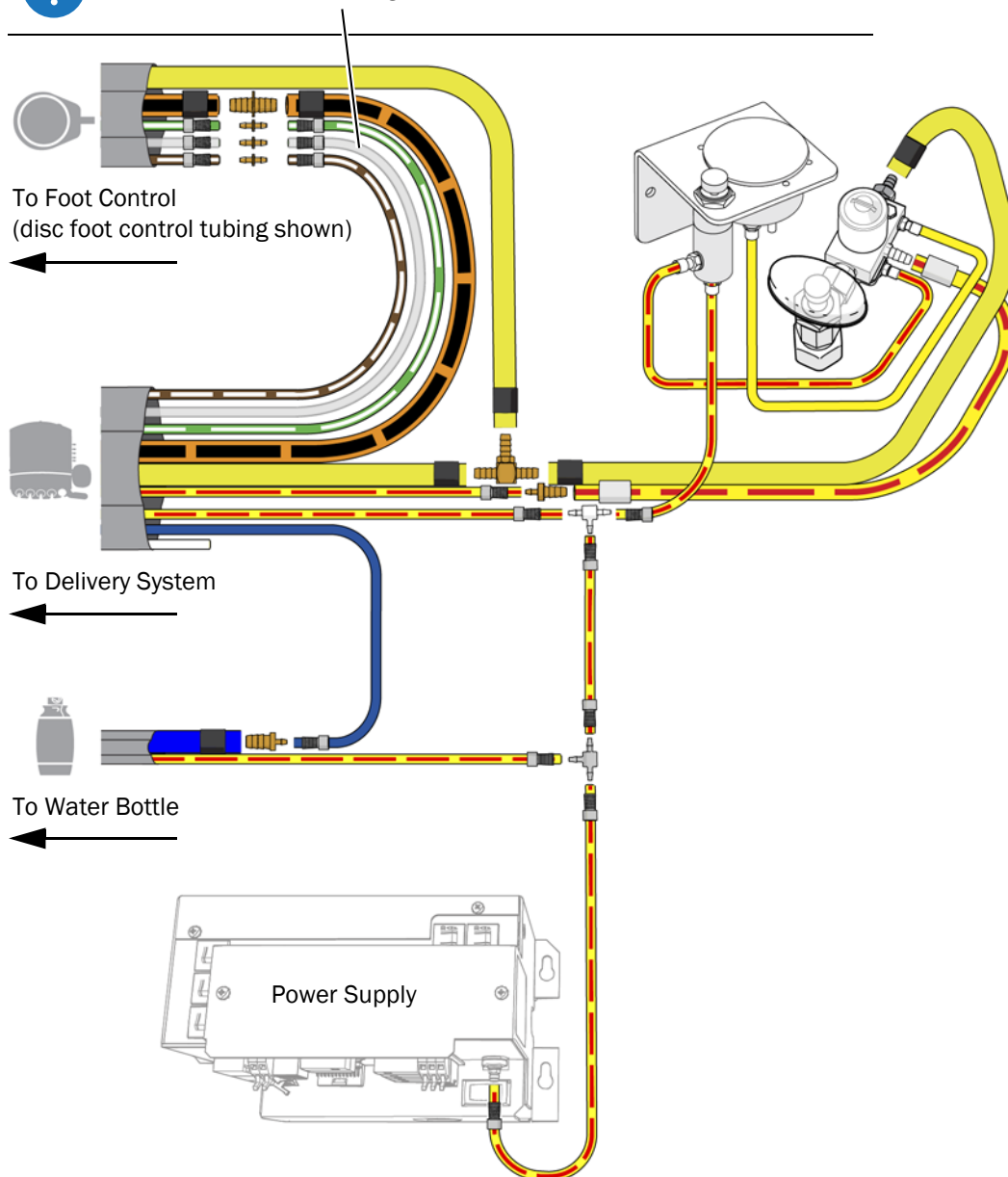
**NOTE** To connect to an A-dec 511 power supply, use the quick disconnects from the kit.



**NOTE** For instructions on connecting tubing to an A-dec 311/411 dental chair, see *Connect an A-dec 342, 541, or 542 Delivery System or A-dec 545 Assistant's Instrumentation to an A-dec 311 or 411 Dental Chair Installation Guide* (p/n 86.0160.00).



**NOTE** The lever foot control uses a green with short dash tubing instead of the clear tubing used with the disc foot control.

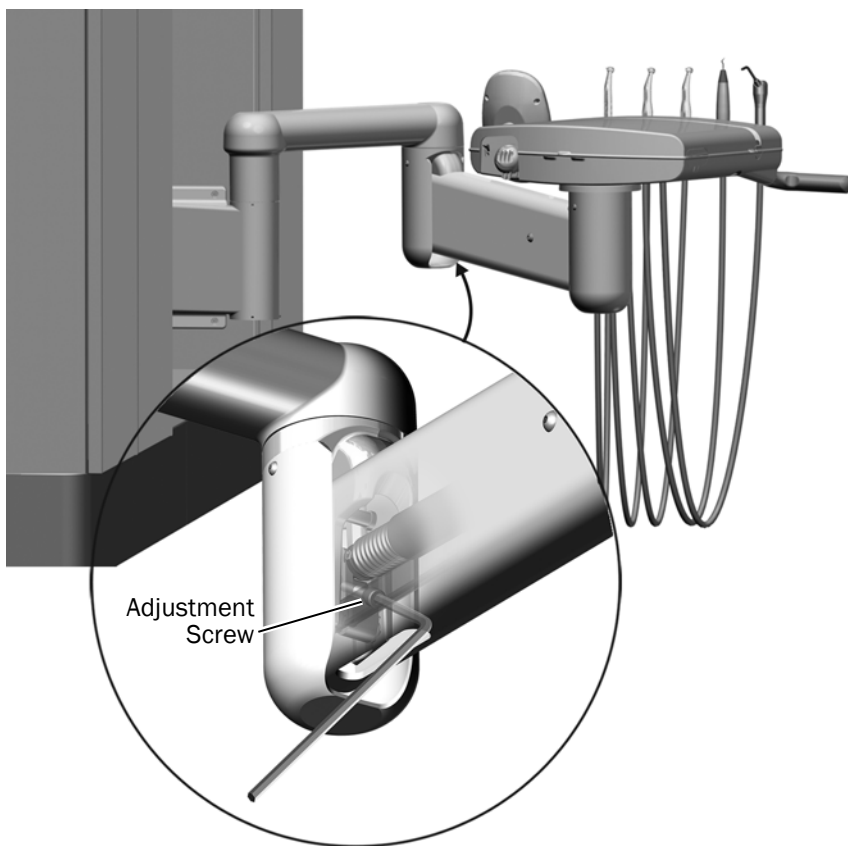


## Adjust the System

---

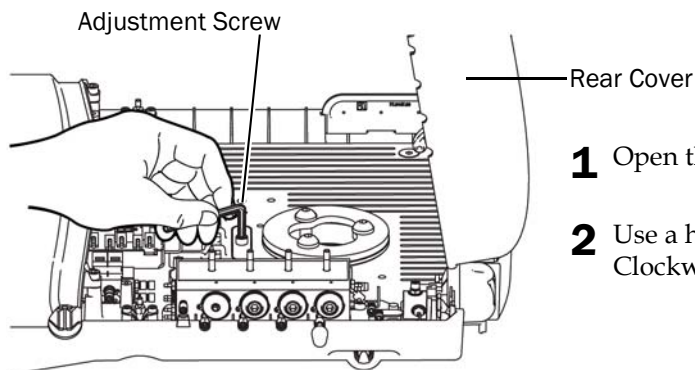
### Adjust the Flexarm Counterbalance

- 1** Load the control head for normal use. Attach the handpieces. If there is a tray holder, place a tray with instruments on the tray holder.
- 2** Move the control head to the lowest position.
- 3** Turn the master toggle off and check whether the control head drifts.



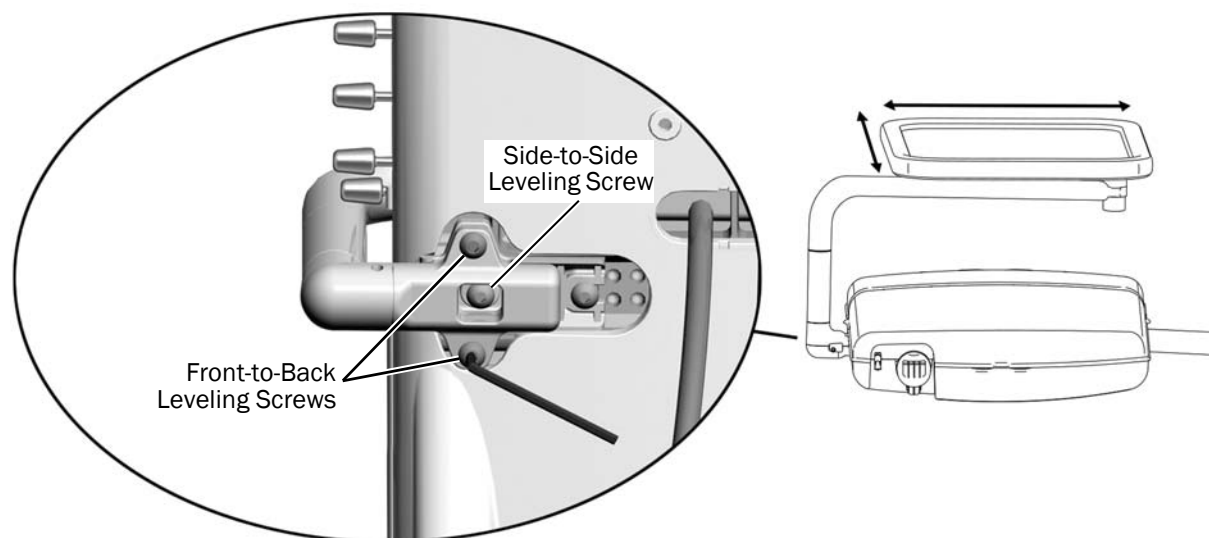
- 4** Use a hex key to turn the adjustment screw. Clockwise increases the upward pressure.

## Adjust the Rotation Tension



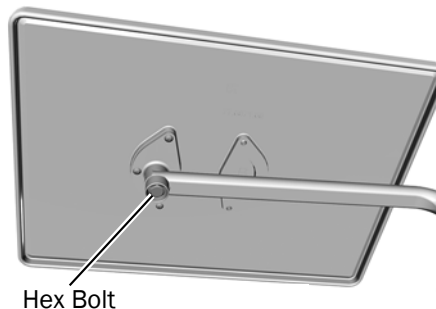
- 1** Open the rear cover.
- 2** Use a hex key to turn the adjustment screw. Clockwise tightens the tension.

## Level the Tray Holder



- 1** Place a level on top of the tray holder.
- 2** Use a hex key to turn the adjustment screws for side-to-side and front-to-back until the holder is level.

## Adjust the Tray Holder Rotation Tension



- 1** Use a 9/16" socket and ratchet to adjust the hex bolt. Clockwise increases the tension.

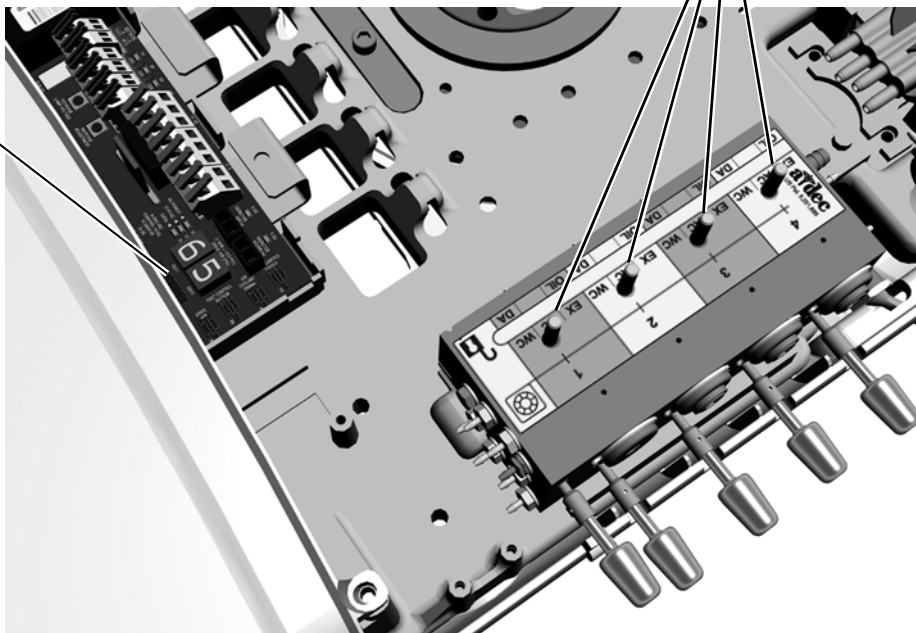
## Adjust the Handpiece Drive Air Pressure

- 1 Lift the cover on the control head.
- 2 Lift the handpiece from the holder. A handpiece must be attached to the tubing to read the pressure.
- 3 Make sure the water coolant is turned off.
- 4 With the handpiece running, check the drive air pressure gauge on the circuit board.



**NOTE** Pressure can also be measured with a handpiece pressure gauge or with a deluxe touchpad. To check the pressure through the deluxe touchpad, press and hold **−** and **+** at the same time while making the adjustments.

Drive Air Pressure Gauge on the Circuit Board



- 5 Adjust the drive air pressure for the activated handpiece to meet the manufacturer's specifications. Turn the stem clockwise to decrease pressure.

The control head gauge indicates the drive air pressure in psi (14.5 psi equals 1 bar).



**NOTE** When adjusting the drive air pressure, take into account where it is measured. Pressure is greater at the control head, as read through the control head gauge or touchpad, than at the handpiece.



## Adjust the Intraoral Light Source

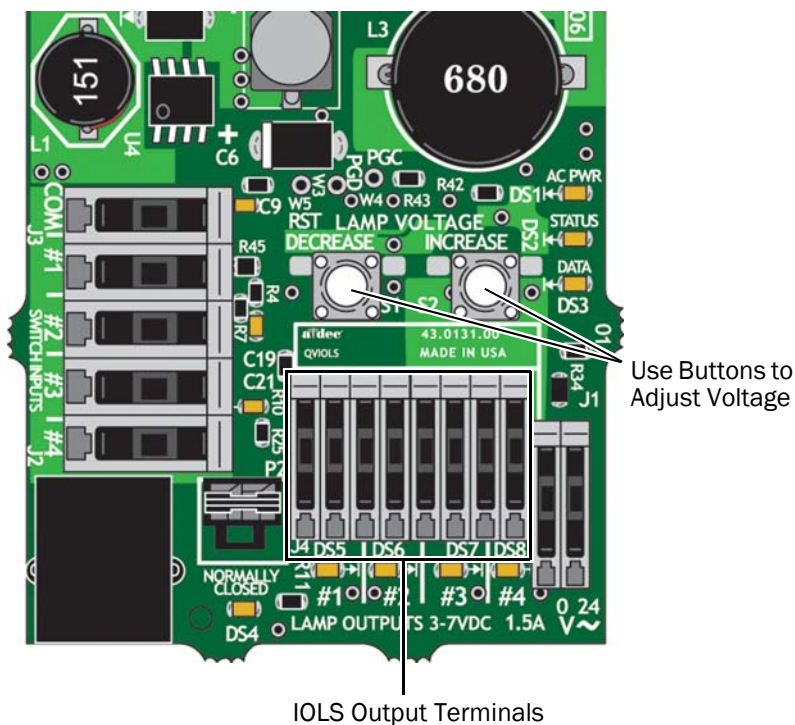
### Recommended Tools

- 7/64" hex key
- Voltmeter



**ATTENTION** Circuit boards are sensitive to static electricity. Electrostatic Discharge (ESD) precautions are required when touching a circuit board or making connections to or from the circuit board. Circuit boards should be installed only by an electrician or qualified service person.

1. Lift up the rear control head cover.
2. Set the voltmeter to DC voltage and place its probes on the IOLS output terminals for the handpiece you're adjusting.



3. Lift the handpiece from its holder and turn the light on.
4. Use the buttons behind the terminal to adjust the voltage according to the following table.



**CAUTION** The values in the following table are valid only for fiber optics with 26 AWG wires, 750 mA loads, and the recommended 3.2 VDC at the bulb. For fiber optics powered with 26 AWG wires and other ratings, use the equation  $T = (Z \times 0.006 \times Y) + X$  where:

**T** = Terminal strip voltage (VDC)

**X** = Desired voltage at bulb (VDC)

**Y** = Rated lamp/load current (in Amps)

**Z** = Length of 26 AWG wire (inches) from terminal strip to bulb

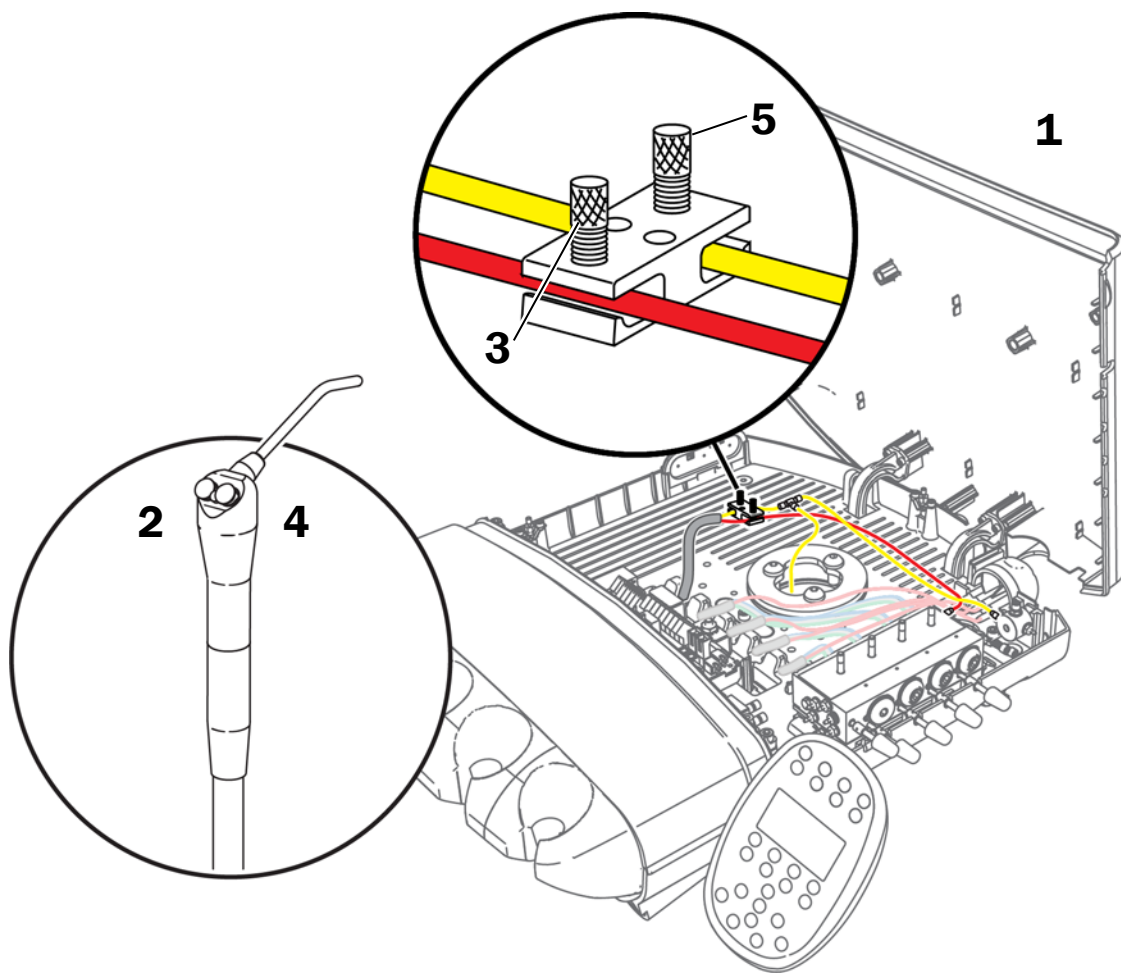
For devices with a wire gauge other than 26 AWG, please contact A-dec Customer Service.

**Length and Voltage Table for A-dec|W&H, Bien Air, or Other Bulbs Rated at 3.2 V**

Wire length in A-dec tubing		Voltage at terminal strip resulting in recommended 3.2 V at the bulb	Wire length in A-dec tubing		Voltage at terminal strip resulting in recommended 3.2 V at the bulb
(in)	(cm)	VDC +/- .02	(in)	(cm)	VDC +/- .02
48	122	3.40	108	274	3.69
54	137	3.43	114	290	3.72
60	152	3.46	120	305	3.75
66	168	3.49	126	320	3.78
72	183	3.52	132	335	3.81
78	198	3.55	138	351	3.84
84	213	3.58	144	366	3.87
90	229	3.61	150	381	3.90
96	244	3.64	156	396	3.93
102	259	3.67			

## Adjust the Doctor's Syringe

- 1** Lift the rear control head cover.
- 2** Press the water button.
- 3** Tighten or loosen the screw to adjust the water flow.
- 4** Push both buttons.
- 5** Tighten or loosen the screw to adjust the air flow until there is a fine mist.



## Touchpad Settings



**NOTE** Touchpad symbols are proprietary to A-dec Inc.

### Status Icon

The A-dec logo on the deluxe touchpad indicates the system status:

- Solid blue – normal operation and power is on.
- Blinking – chair stop plate or cuspidor limit switch is active. The icon returns to solid blue once you remove any obstructions.
- Double blink – jumper is on the factory default position on the chair circuit board. The icon returns to solid blue once the jumper is removed.

Standard Touchpad



Deluxe Touchpad



## Chair Positioning

The touchpad provides manual and programmed buttons for A-dec chair positioning. The buttons with direction arrows allow you to manually move the chair base and back up or down.

Four programmable chair buttons, which can be easily customized, automatically move the chair into a factory preset position.

## Program the Chair Preset Position



**NOTE** To stop the chair at any point, push any chair position button on the footswitch or touchpad.



**NOTE** Please follow standard patient care precautions when using the chair preset position functions.

To program chair preset positions Entry/Exit, Treatment 1, and Treatment 2:

1. Use the manual controls to adjust the chair position as desired.
2. Press and release the Program button ( or ). One beep indicates programming mode.
3. Press the chair position button you wish to reset (for example, press or for Entry/Exit). Three beeps indicates the new setting is programmed into memory.

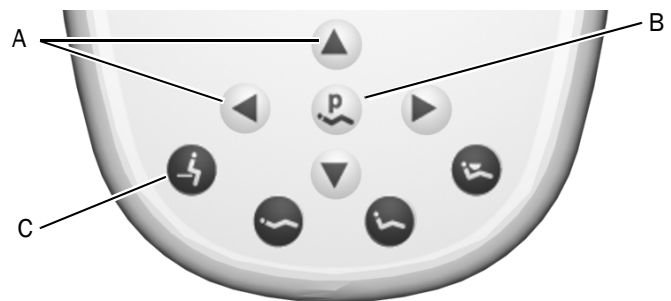
**Table 1. Touchpad Manual Chair Buttons**

Button	Action
	Back down
	Back up
	Base up
	Base down

**Table 2. Touchpad Programmable Chair Buttons/Factory Presets**

Button	Position Description
	<b>Entry/Exit:</b> Automatically positions chair for entry/exit and turns off the dental light.
	<b>Treatment 1:</b> Automatically positions the chair base and back down and turns on the dental light.
	<b>Treatment 2:</b> Automatically positions the chair base and back and turns on the dental light.
	<b>X-ray/Rinse:</b> Automatically toggles between the X-ray/Rinse and the current chair position. The dental light turns off when the chair is positioned for X-ray/Rinse and turns on when it returns to its last position.



### Touchpad Chair Position Buttons



- (A) Manual Chair Buttons
- (B) Program Button
- (C) Programmable Chair Preset Buttons

## Customize the X-Ray/Rinse Button

The X-ray/Rinse button functions either as x-ray/rinse or as another preset position (Treatment 3). To change the function of the X-ray/Rinse button:

1. Press and hold the Program button and  or  simultaneously for three seconds.
  - One beep indicates the button has been configured as Treatment 3.
  - Three beeps indicates that X-ray/Rinse button has been configured as the x-ray/rinse function (toggles between the X-ray/Rinse and the previous position).
2. Program the preset position. See “Program the Chair Preset Position” on page 37.



**TIP** If the X-ray/Rinse button is changed to a preset position, it operates the same as the Treatment buttons 1 and 2.

## Cuspidor Functions

Table 3 describes the Cupfill and Bowl Rinse buttons.

### Customize Cupfill and Bowl Rinse





To program the cupfill and bowl rinse timing:

1. Press and release the Program button or, at the cuspidor, press and hold both the Cupfill and Bowl Rinse buttons located near the spout. One beep indicates the programming mode is ready.
2. Press and hold the Cupfill or Bowl Rinse button for the desired amount of time.
3. Release the button. Three beeps confirm the setting.




**NOTE** If the standard touchpad is installed and no cuspidor is present, you can use the cupfill and bowl rinse buttons to operate as auxiliary control buttons. See “Auxiliary Control Buttons” on page 44 for more information.


**Table 3. Cupfill and Bowl Rinse Buttons**


Button	Description
Cuspidor 	<b>Cupfill Button:</b> Controls water flow from the cuspidor into a cup. <ul style="list-style-type: none"> <li>• Press the Cupfill button for a timed operation. The factory preset is a 2.5 second fill.</li> </ul>
Touchpad 	<ul style="list-style-type: none"> <li>• Press and hold the Cupfill button for manual operation.</li> </ul>
Cuspidor 	<b>Bowl Rinse Button:</b> Provides rinse water for the cuspidor bowl. <ul style="list-style-type: none"> <li>• Press the Bowl Rinse button for a timed operation. The factory preset is a 30 second rinse.</li> </ul>
Touchpad 	<ul style="list-style-type: none"> <li>• Press and hold the Bowl Rinse button for manual operation.</li> <li>• Press the Bowl Rinse button twice in less than two seconds for the operation to change to continuous rinse mode. Press the button once to end the continuous rinse mode.</li> </ul>

## Dental Light





You can turn the dental light on or off from either the touchpad or the dental light. The Dental Light button on the touchpad allows you to change intensity settings.

**Halogen Dental Light:** Press  to toggle between high and composite or medium and composite. When the dental light is in composite mode, the indicator light blinks.

**LED Dental Light:** Press and release  to choose the desired intensity mode. When the light is in cure-safe mode, the indicator light blinks.

To turn off the dental light, press and hold .




## Dental Light Auto On/Off Feature

The dental light has an auto on/off feature. When you use a programmed chair position, the dental light turns on when the chair back reaches operating position. Press Entry/Exit ( or ) or X-ray/Rinse ( or ) and the dental light automatically turns off.




**TIP** If X-ray/Rinse button is changed to a preset position, the dental light auto feature operates the same as the Treatment buttons 1 and 2.

To activate/deactivate:

- Press and hold  and the Program button ( or ) simultaneously for three seconds. One beep confirms the dental light auto feature is off. Three beeps confirm that the dental light auto feature is on.

## A/B Button

Deluxe touchpads include an A/B button () that offers you two separate sets of programmable settings. The currently active set is indicated by the A or B in the touchpad display.

## Dental Light Mode

Dental Light Button

Indicator Light



## Electric Handpiece Settings (Deluxe Touchpad Only)

### Standard Mode Programming

Activate the electric motor by lifting the handpiece from the holder. The settings displayed on the touchpad screen are the ones last used for that handpiece position. The electric motor allows you to choose a precise preset speed. Table 4 lists the factory presets for electric motors.

The deluxe touchpad allows you to program four Memory buttons with your specific RPM setting. With the A and B button, you can program two settings for each Memory button, for a total of 8 customized settings per handpiece (the endodontics mode offers an additional 8 memory settings).



**NOTE** If two operators use the delivery system, be sure to select the correct operator set (A or B) before changing any memory settings. The currently active set is indicated by the A or B in the touchpad screen.

**Table 4. Electric Motor Speed / Air and Water Coolant Presets (Standard Mode)**

Memory Setting	Preset Speed	Air Coolant	Water Coolant
m1	2,000 RPM	On	On
m2	10,000 RPM	On	On
m3	20,000 RPM	On	On
m4	36,000 RPM	On	On



To program the handpiece setting:

1. Press the and buttons to adjust the RPM. The RPM values are displayed in the touchpad screen.
2. If desired, press or to turn on/off water and air coolant settings.
3. To place the setting into memory, press or . One beep sounds.
4. Choose the desired memory setting by pressing m1, m2, m3, or m4. Three beeps confirm the setting.

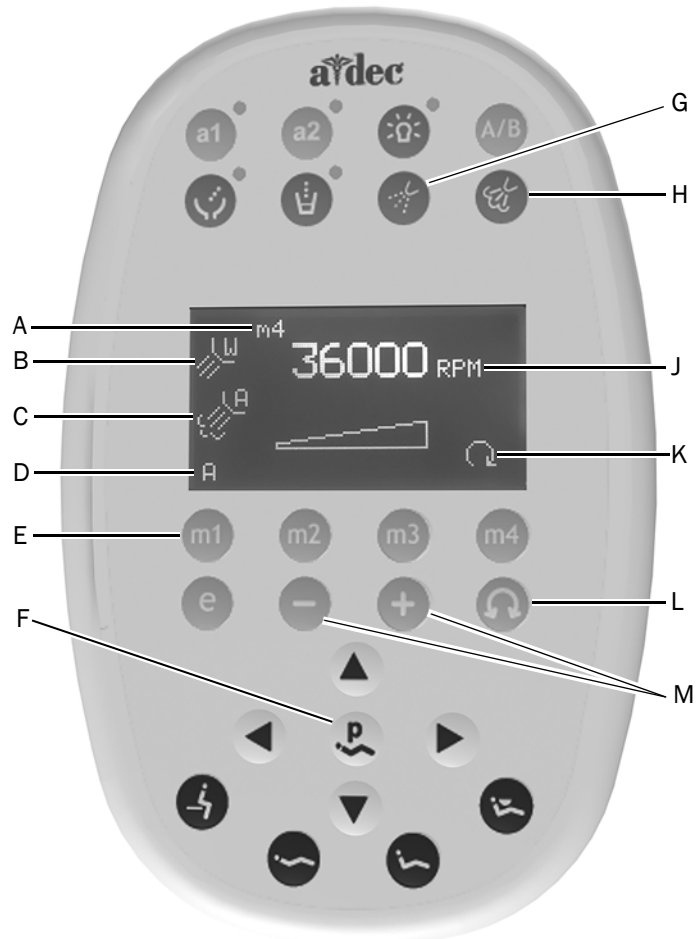
### Forward/Reverse Button

The Forward/Reverse button changes the electric motor's direction. The system defaults to the forward position when you return the motor to the holder or turn off the system. In reverse mode, the screen icon flashes continuously.



**NOTE** You can also use the foot control to easily switch between forward and reverse. When the motor has stopped, tap the accessory (chip/air) button to change the direction.

### Standard Mode Buttons and Settings



Item	Description	Item	Description
A	Memory Setting Indicator	G	Water Coolant Button
B	Water Coolant Indicator	H	Air Coolant Button
C	Air Coolant Indicator	J	Speed Limit Setting
D	A/B Operator Indicator	K	Forward/Reverse Indicator
E	Memory Buttons (m1 - m4)	L	Forward/Reverse Toggle Button
F	Program Button	M	Adjustment Buttons



## Endodontics Mode Programming

The Endodontics mode allows you to change a number of settings based on the specific file and desired handpiece behavior. Icons in the touchpad window reflect the settings.

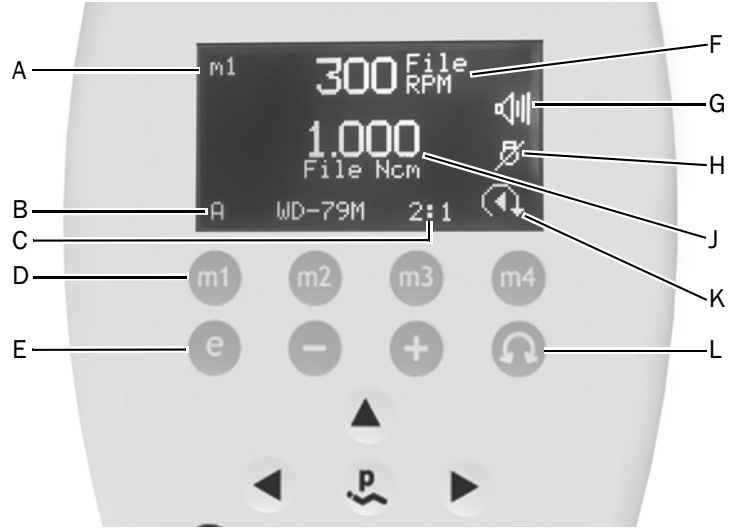


**NOTE** For more information regarding speed limit and torque limit for a specific file, consult the file manufacturer.

To program the endodontics memory settings:

1. Lift the handpiece from the holder.
2. If the touchpad screen does not display endodontics mode, press **e** or **E**.
3. To change settings in endodontics mode, press the **+** or **-** buttons. You see a white reverse video box on the touchpad screen.
4. To move from setting to setting on the touchpad screen, press the chair positioning buttons.
5. To change the setting, press the **-** and **+** buttons.
6. To set the speed limit, torque limit, and ratio into memory, press  or , then the Memory button you want to set. Three beeps confirm the setting (m1 through m4).












## Endodontics Mode Buttons and Icons



Item	Description	Item	Description
A	Memory Setting Indicator	G	Warning Beep Indicator
B	A/B Operator Indicator	H	Endodontics Light Indicator
C	Attachment Ratio Setting	J	File Torque Limit/Unit Indicator
D	Memory Buttons (m1 - m4)	K	Forward/Reverse and Torque Mode Indicator
E	Endodontics Mode Toggle Button	L	Forward/Reverse Toggle Button
F	File Speed Setting		

Table 5 defines the touchpad screen icons for the endodontics mode.

**Table 5. Endodontics Mode Settings**

Icon	Setting	Description
	Speed	Setpoint for file speed limit. For more information, consult the file manufacturer.
	Torque	Setpoint for file torque limit. For more information, consult the file manufacturer.
	Torque Units	Toggles between N-cm (Newton centimeters) and gcm (Gram centimeters). Adjusting this setting for one handpiece changes it for all handpiece settings. <b>Note:</b> 1 N-cm=102 g-cm
	Ratio	Sets the handpiece ratio. For more information, consult your handpiece manufacturer.
	Air Coolant	On/Off—when active, supplies air coolant to the handpiece.
	Water Coolant	On/Off—when active, supplies water coolant to the handpiece.
	Light Source	Enables/Disables endodontics handpiece light source.
	Auto Modes	Adjusting this setting for one handpiece changes it for all handpiece settings. The auto mode indicator displays inside of the forward/reverse indicator.
	Auto Stop	When the file reaches the torque limit, the motor shuts off.
	Auto Reverse	When the file reaches the torque limit, the motor stops and reverses direction.
	Auto Forward	When the file reaches the torque limit, the motor stops, reverses direction 3 turns, then changes back to forward again. <b>Note:</b> If the file is stuck, this cycle repeats three times before the motor stops.
	Beeper	On/Off—when active, warning beep sounds when you approach torque limit and double beeps when the file auto-reverses. Adjusting this setting for one handpiece changes it for all handpiece positions.

## Other Handpiece Setting Choices

Additional system choices are available. Consult your dealer to globally change to any of these setting options:

- **Auto-Off Delay** – The amount of time the handpiece remains lit when idle. The default is 5 seconds. Stepping on the foot control refreshes the delay and the lamp control refreshes the delay and the lamp relights. The light stays on as long as you depress the foot control.
- **Light Source Auto On/Off** – When active, the handpiece light automatically turns on when you lift the handpiece from the holder. Default in standard mode is on; in endodontics mode is off.
- **Voltage** – Depending on your brightness preference and the bulb manufacturer's usage guidelines, the voltage setting adjustment for each handpiece light source.

## Auxiliary Control Buttons

If your system includes an A-dec relay module, you can use the touchpad to activate two auxiliary devices.

- **Deluxe Touchpads** - Use the a1 and a2 buttons.
- **Standard Touchpads** - If the system does not include a cuspidor, use the Bowl Rinse and Cupfill buttons. The Bowl Rinse button operates Aux 1 and Cupfill operates Aux 2.

For more information about auxiliary button controls, see *A-dec Relay Module Installation Guide* (p/n 86.0419.00).

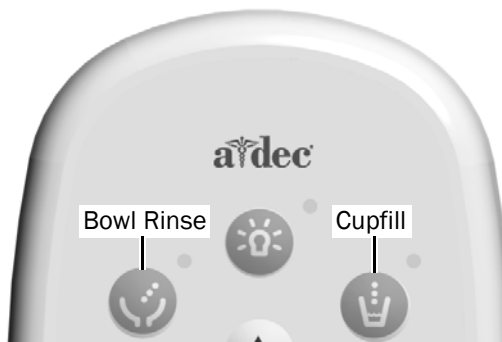
## Touchpad Help Messages

Help messages are displayed on the deluxe touchpad screen to provide information about why an operation is disabled. For information on help messages, refer to the *Regulatory Information, Specifications and Warranty* document (p/n 86.0221.00) located in the Document Library at [www.a-dec.com](http://www.a-dec.com)

### Auxiliary Control Buttons



Deluxe Touchpad



Standard Touchpad (with no cuspidor)

## Test the System

---

After you have completed the installation, use the following checklist to test the delivery system; then follow up with the customer.

### Delivery System

- The handpieces function properly and are set to the doctor's preferences:
  - Water coolant, air coolant, and spray.
  - Handpiece tubing flush.
  - Handpiece holder valves and switches.
  - Handpiece drive air pressure.
- Spring-assisted flexarm functions properly.
- Delivery system flexarm brake functions properly.
- Control head is level as checked on tray.
- Articulating arms do not drift.
- Foot control operates properly.

### Utilities

- Regulated air pressure is at 80 psi.
- If the system includes a floor box, it is free of air and water leaks.
- Tubing and connections are not kinked and are free of air and water leaks.
- Excess tubing and wires are coiled and stored away from moving parts.





## Regulatory Information

---

Regulatory information mandated by agency requirements is provided in the *Regulatory Information, Specifications, and Warranty* document (p/n 86.0221.00), which is available in the Document Library at [www.a-dec.com](http://www.a-dec.com).

### Product Models and Versions Covered in This Document

Models	Versions	Description
311, 411, 511	A	Dental Chair
311	B	Dental Chair
592, 593, 5531, 5631, 5543	A	Dental Furniture
542	A	Delivery System

#### A-dec Headquarters

2601 Crestview Drive  
Newberg, OR 97132 USA  
Tel: 1.800.547.1883 Within USA/CAN  
Tel: +1.503.538.7478 Outside USA/CAN  
Fax: 1.503.538.0276  
[www.a-dec.com](http://www.a-dec.com)

*A-dec Inc. makes no warranty of any kind with regard to the content in this document including, but not limited to, the implied warranties of merchantability and fitness for a particular purpose.*



86.0467.00 Rev F  
Copyright 2018 A-dec Inc.  
All rights reserved.  
IGrphpor17