

# A-dec Dental Lights and Monitor Mounts

## Service Reference



### Copyright

© 2017 A-dec Inc. All rights reserved.

A-dec Inc. makes no warranty of any kind with regard to this material, including, but not limited to, the implied warranties of merchantability and fitness for a particular purpose. A-dec Inc. shall not be held liable for any errors contained herein or any consequential or other damages concerning the furnishing, performance or use of this material. The information in this document is subject to change without notice. If you find any problems in the documentation, please report them to us in writing. A-dec Inc. does not warrant that this document is error-free.

No part of this document may be copied, reproduced, altered, or transmitted in any form or by any means, electronic or mechanical, including photocopying, recording, or by any information storage and retrieval system, without prior written permission from A-dec Inc.

### Trademarks and Additional Intellectual Property Rights

A-dec, the A-dec logo, A-dec Inspire, Cascade, Century Plus, Continental, Decade, ICX, ICV, Performer, Preference, Preference Collection, Preference ICC, and Radius are trademarks of A-dec Inc. and are registered in the United States and other countries. A-dec 500, A-dec 400, A-dec 300 A-dec 200, and reliablecreativesolutions are also trademarks of A-dec Inc. None of the trademarks or trade names in this document may be reproduced, copied, or manipulated in any manner without the express, written approval of the trademark owner.

Certain touchpad symbols are proprietary to A-dec Inc. Any use of these symbols, in whole or in part, without the express written consent of A-dec Inc., is strictly prohibited.

Pozidriv is a registered trademark of Phillips Screw Company. GOJO and Purell are registered trademarks of GOJO Industries Inc. All other trademarks are the property of their respective owners

### Contact Information and Other Resources

See page 2

### Product Service

Product service is available through your local authorized A-dec dealer. For service information, or to locate an authorized dealer, contact A-dec at 1.800.547.1883 in the USA and Canada or 1.503.538.7478 worldwide, or visit [www.a-dec.com](http://www.a-dec.com).

### Regulatory Information

Regulatory information mandated by agency requirements is provided in the *Regulatory Information, Specifications, and Warranty* document (p/n 86.0221.00), which is available in the Document Library at [www.a-dec.com](http://www.a-dec.com).

### Product Models and Versions Covered in This Document

A-dec uses product versions to indicate significant changes to a product model. Modifications identified by a change to the product version include, but are not limited to, significant changes to features and options, and product compatibility.

Models	Versions	Description
371, 372, 571, 572, 6300	A	Dental Light
371L, 372L, 570L, 571L, 572L, 573L, 574L, 575L, 576L, 577L	A	LED Dental Light
300, 381, 382, 482, 531, 581, 584, 585, 586, 587, 591	A	Monitor Mount

**Note:** A-dec 578/578L dental lights are covered in the *A-dec Simulators Service Guide* (p/n 86.0298.00).



## Customer Service Information

For questions not addressed in this document, contact A-dec Customer Service using contact information for your region.

### A-dec Headquarters

2601 Crestview Drive  
Newberg, Oregon 97132  
United States  
Tel: 1.800.547.1883 within USA/CAN  
Tel: +1.503.538.7478 outside USA/CAN  
Fax: 1.503.538.0276  
www.a-dec.com

### A-dec Australia

Unit 8  
5-9 Ricketty Street  
Mascot, NSW 2020  
Australia  
Tel: 1.800.225.010 within AUS  
Tel: +61.(0).2.8332.4000 outside AUS

### A-dec China

A-dec (Hangzhou) Dental Equipment Co., Ltd.  
528 Shunfeng Road  
Qianjiang Economic Development Zone  
Hangzhou 311106  
Zhejiang, China  
Tel: +1.503.538.7478

### A-dec United Kingdom

*EU Authorized Representative*  
Austin House, 11 Liberty Way  
Nuneaton, Warwickshire CV11 6RZ  
England  
Tel: 0800.ADEC.UK (2332.85) within UK  
Tel: +44.(0).24.7635.0901 outside UK

## A-dec Service Documents

Service Reference documents contain illustrated parts breakdown content and are companions to Service Guides, which contain information for product service, maintenance, and troubleshooting including circuit board components and flow diagrams. Service documents include:

- *A-dec Dental Lights and Monitor Mounts Service Guide* (p/n 86.0326.00)
- *A-dec 300, 400, and 500 Delivery Systems Service Guide* (p/n 86.0382.00)
- *A-dec 300, 400, and 500 Delivery Systems Service Reference* (p/n 86.0383.00)
- *A-dec 311, 411, and 511 Dental Chairs Service Guide* (p/n 86.0380.00)
- *A-dec 311, 411, and 511 Dental Chairs Service Reference* (p/n 86.0381.00)

For information on the A-dec 200 Dental Light, refer to the *A-dec 200 Service Reference* (p/n 86.0324.00) and the *A-dec 200 Service Guide* (p/n 86.0016.00).

For information about the A-dec Performer Dental Light, refer to the *A-dec Performer Service Reference* (p/n 86.0610.00) and the *A-dec Performer Service Guide* (p/n 86.0606.00).

For information on the A-dec Simulator Dental Lights (578/578L) see the *A-dec Simulators Service Guide* (p/n 86.0298.00).

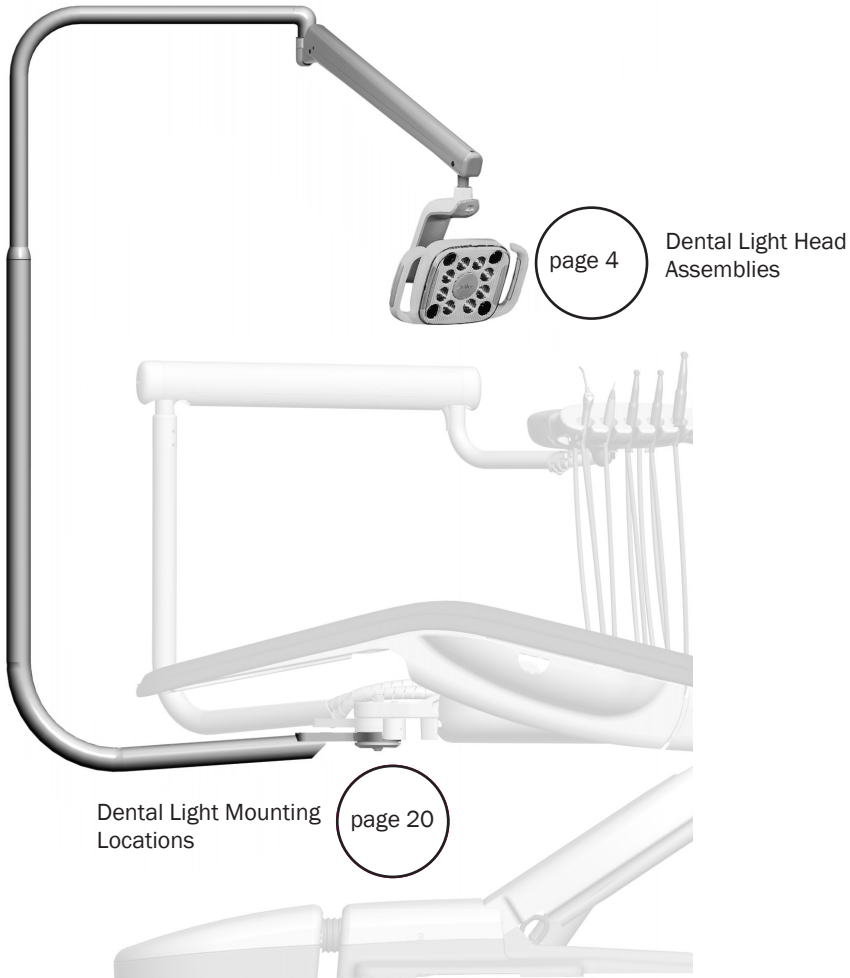
## Electronic Documentation

The latest versions of A-dec service documents, product installation guides, and instructions for use are available as electronic documents on the A-dec website (www.a-dec.com). On the website, select Document Library in the upper-right corner of the page. Check this location for the most current technical information about A-dec products.

## Copyright, Regulatory, Product Models information

See page 1

# Contents



**Dental Lights**

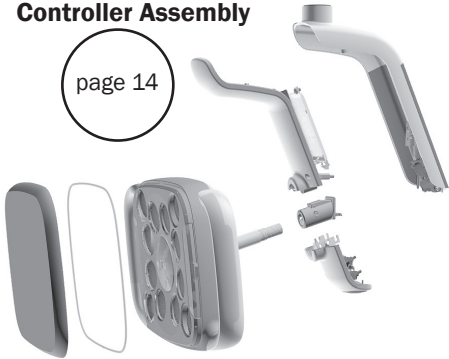


**Monitor Mounts**

# Dental Light Head Assemblies

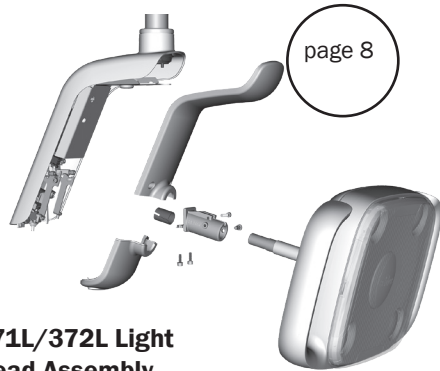
## 571L– 577L Controller Assembly

page 14



## 371L/372L Controller Assembly

page 8

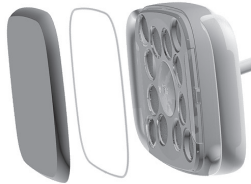


## 371L/372L Light Head Assembly

page 6

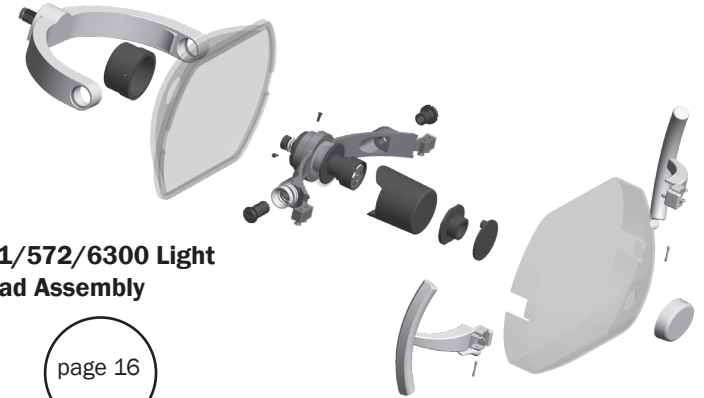
## 571L – 577L Light Head Assembly

page 10



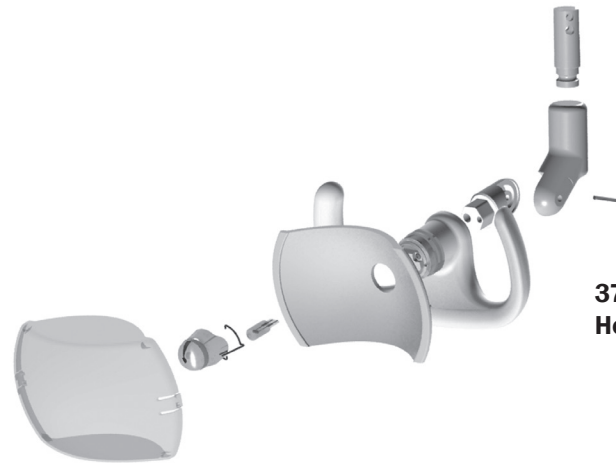
## 571/572/6300 Light Head Assembly

page 16



## 371/372 Light Head Assembly

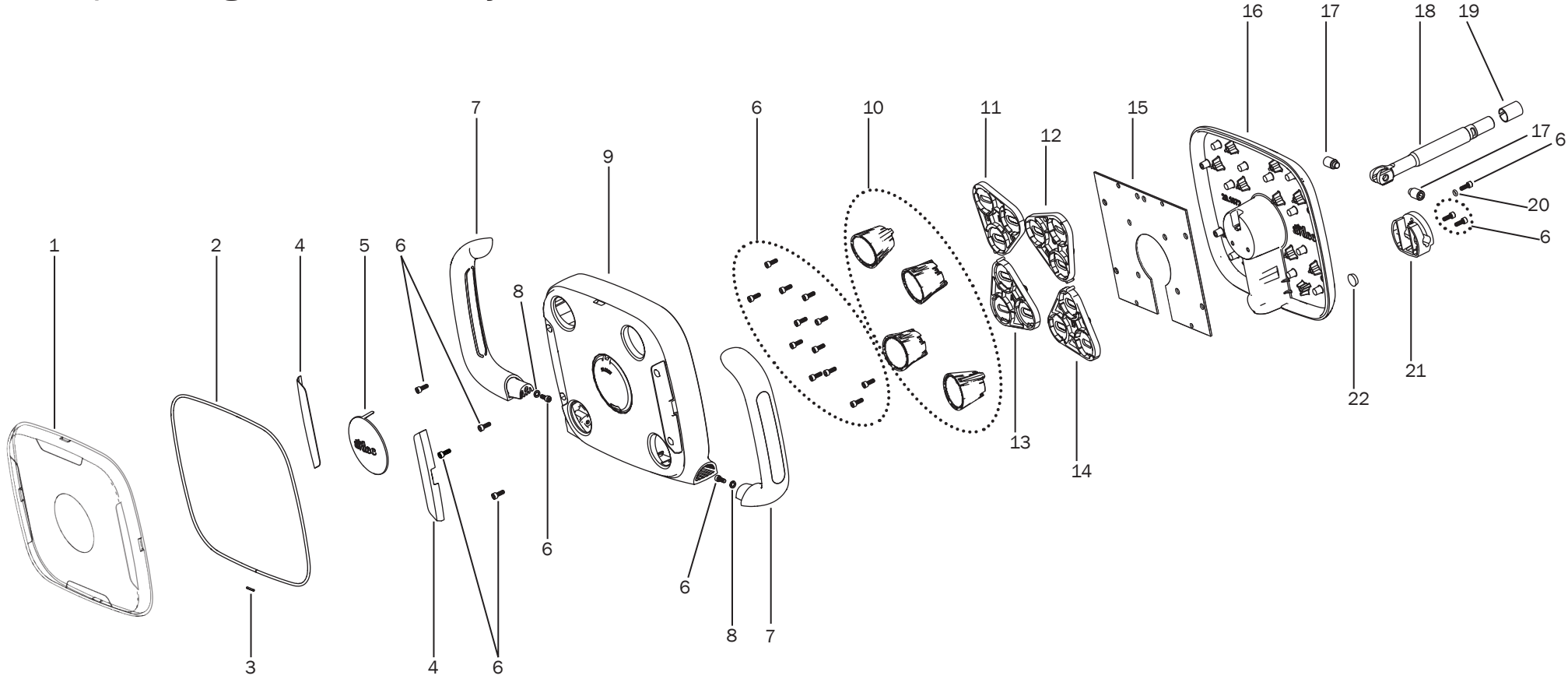
page 18







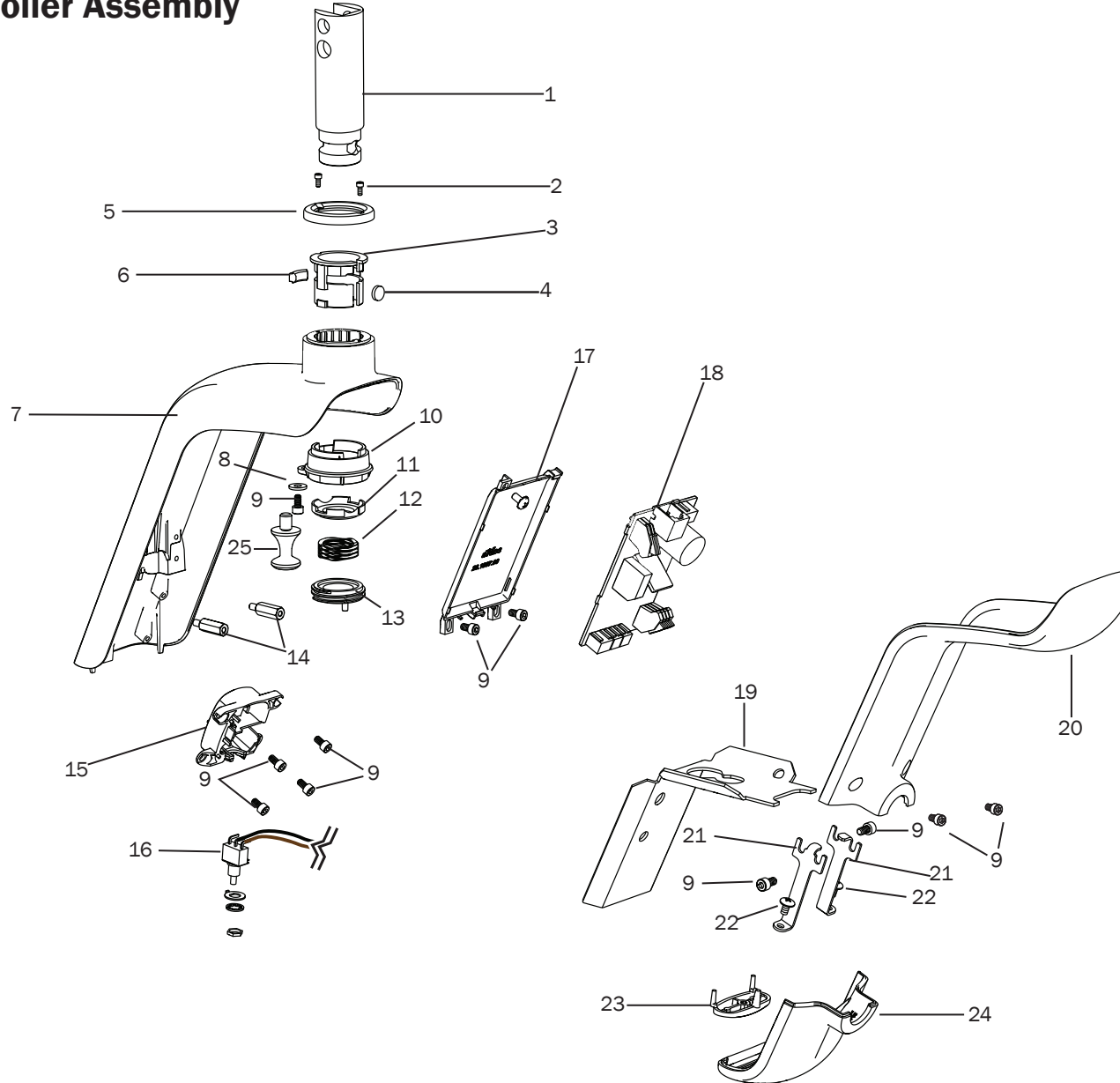
# 371L/372L Light Head Assembly



**371L/372L Light Head Assembly**

Item	Part Number	Description
1	28.1874.00	Shield
2	28.1901.00	Gasket
3	011.003.00	Pin
4	28.1900.00	Side label
5	28.1899.00	Center label
6	001.033.00	Socket head screw, 6-32 x 3/8 stainless steel
7	28.1870.00	Handle
8	004.073.01	Internal tooth lock washer, No. 6, zinc
9	28.2057.00	Front housing
10	28.1935.00	Lens assembly
11	28.1892.01	Lens base-B
12	28.1893.01	Lens base-C
13	28.1891.01	Lens base-A
14	28.1894.01	Lens base-D
15	43.0428.00	LED PCB assembly
16	28.1865.00	Rear housing
17	28.1877.00	Axle
18	28.1876.00	Shaft
19	016.174.00	Sleeve bearing, .500 ID x .719 long, steel PTFE
20	030.006.00	O-ring, AS568-006, .11
21	28.1875.00	Yoke
22	017.034.00	Bumper

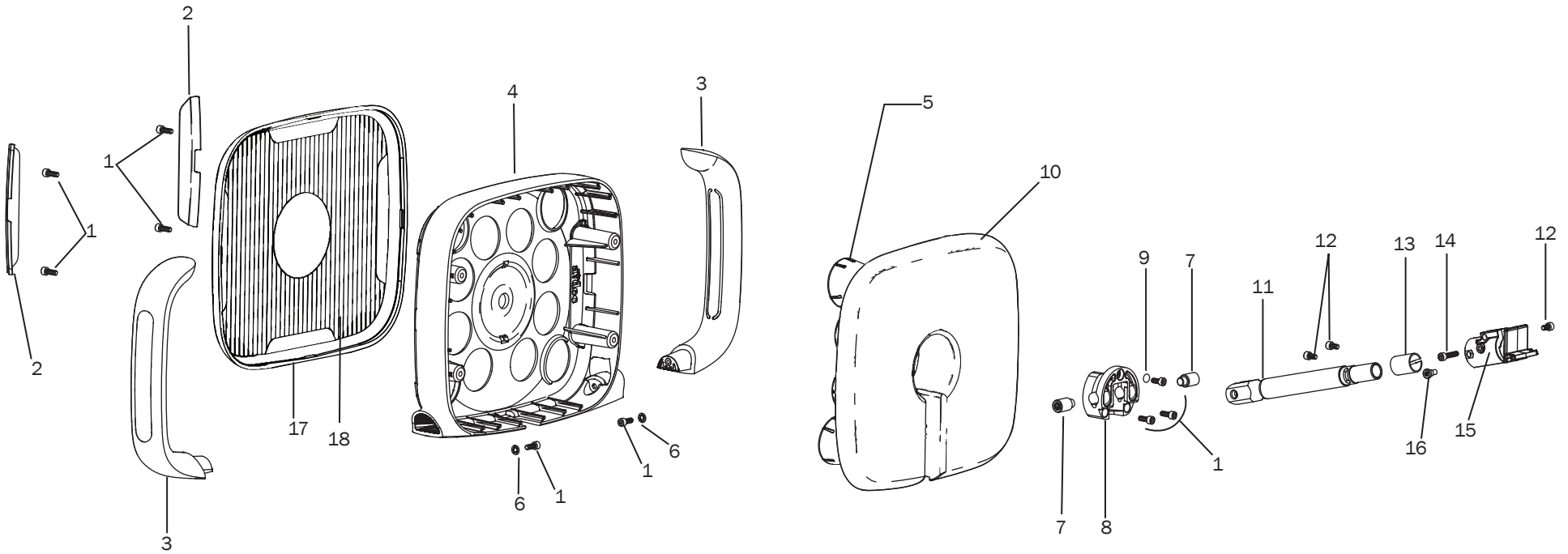
# 371L/372L Controller Assembly



**371L/372L Controller Assembly**

Item	Part Number	Description
1	28.1031.01	Knuckle, 3 IN, dental LT end, white
2	001.015.00	Screw, socket head, 2-56 x .187 SST
3	28.1859.00	Bearing, adjustable, LED Pivot
4	28.0679.00	Pivot stop
5	28.1951.00	Cap, driver housing
6	28.1868.00	Floating stop
7	28.1910.01	Driver housing
8	004.012.00	Washer, flat, steel, zinc, .156 ID
9	001.034.00	Screw, socket head, 6-32 x 1/4, SST
10	28.1860.00	Locking nut, LED upper pivot
11	28.1955.00	Pivot adjustment wedge
12	013.134.00	Spring, compression, wave, .875 OD x .500
13	28.1885.00	Friction adjust, LED pivot
14	041.747.00	Standoff, hex, 6-32 x 5/8 long, aluminum
15	28.2072.00	Switch holder
16	43.0430.00	Switch assy, basic LED, on/off/intensity
17	28.1887.00	Cover, driver board, LED LT
18	43.0399.00 43.0400.00	PCA assy, driver, basic, CAN (with touchpad functionality) PCA assy, driver, basic (without touchpad functionality)
19	28.2044.00	Bracket, upper cover
20	28.2062.00	Housing
21	28.1898.00	Bracket, lower cover
22	001.073.00	Screw, pan head, Phillips, 6 - 32 x 1/4, SST
23	28.1914.00	Power button cap, LED
24	28.1861.00 28.1861.01	Cover, power button, LED LT, gray Cover, power button, LED LT, surf
25	28.2043.00	Cover snap stud

## 571L – 577L Light Head Assembly



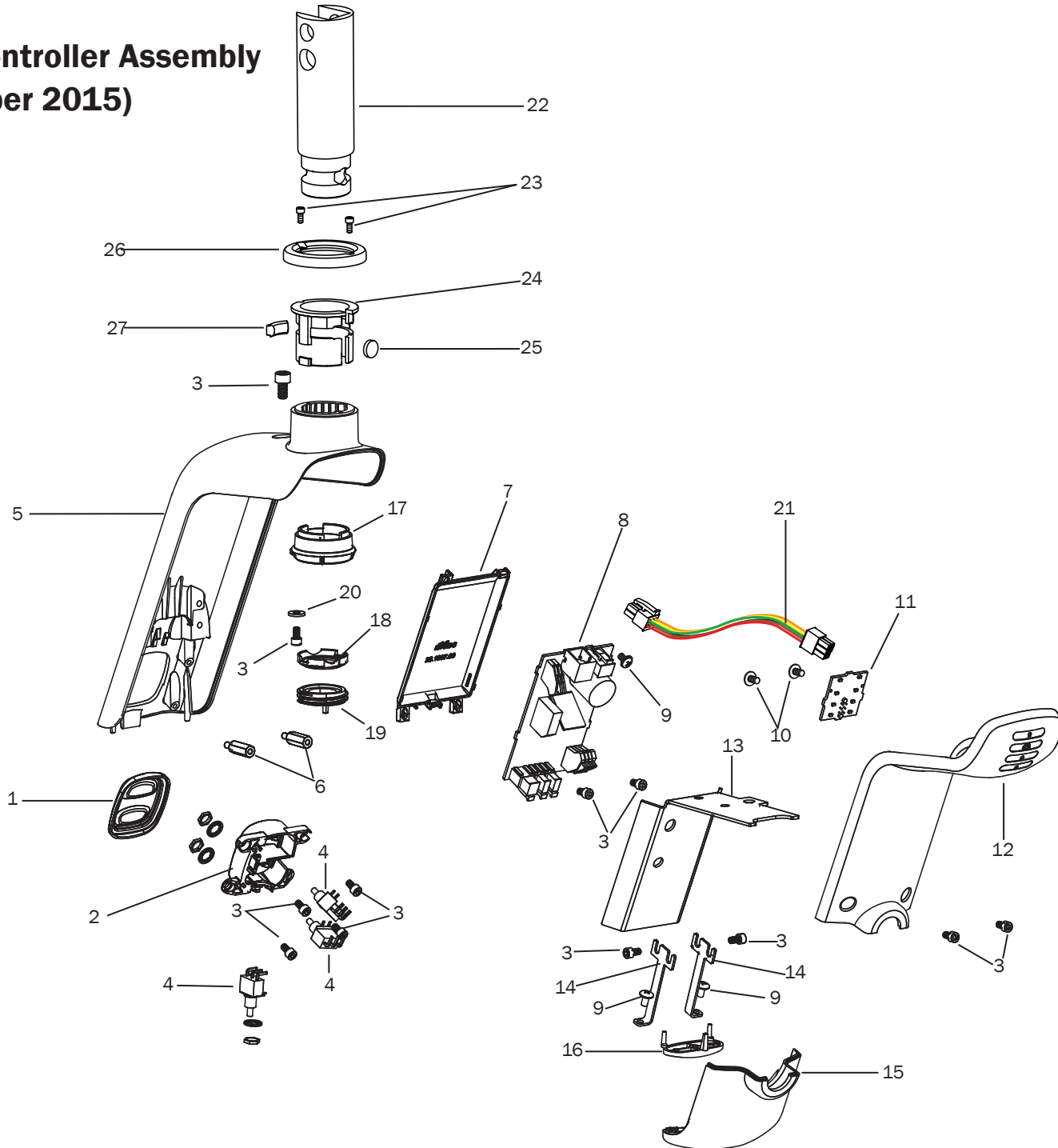
**571L — 577L Light Head Assembly**

Item	Part Number	Description
1	001.033.00	Socket head screw, 6-32 x 3/8" stainless steel
2	28.1900.00	Label
3	28.1870.00 28.1870.01	Handle, gray Handle, surf
4	28.1871.00	Front housing
5	N/A	Lens assemblies
6	004.073.01	Washer, internal tooth
7	28.1877.00	Pivot axle
8	28.1875.00	Pivot yoke
9	013.074.00	Compression Ring, .240 OD X .56 FL
10	28.1865.00	Back housing
11	28.1876.00	Shaft
12	001.034.00	Screw, socket head, 6-32 x 1/4, SST
13	016.174.00	Bushing
14	001.010.00	Screw, socket head, 6-32 x 5/8, SST
15	28.1902.00	Lower pivot housing
16	28.1880.00	Stop pivot screw
17	28.1901.00	Shield gasket
18	28.1874.00	Lens shield

Replacement Kits	Description
90.1341.00	Pivot shaft assembly kit (includes items 1, 7, 8, 9, 11, 12, 13, 14, 15, 16)
90.1342.00	Surf handle replacement kit (includes items 1, 2, 3, 6)
90.1342.01	Gray handle replacement kit (includes items 1, 2, 3, 6)
90.1350.00	Surf LED head Replacement kit (includes items 1-6, 8-10, 12-16)
90.1350.01	White LED head replacement kit (includes items 1-6, 8-10, 12-16)
90.1390.00	LED front housing (includes items 1, 2, 4)
90.1343.00	Lens shield and gasket kit (includes items 17 and 18)



# 571L – 577L Controller Assembly (Before December 2015)

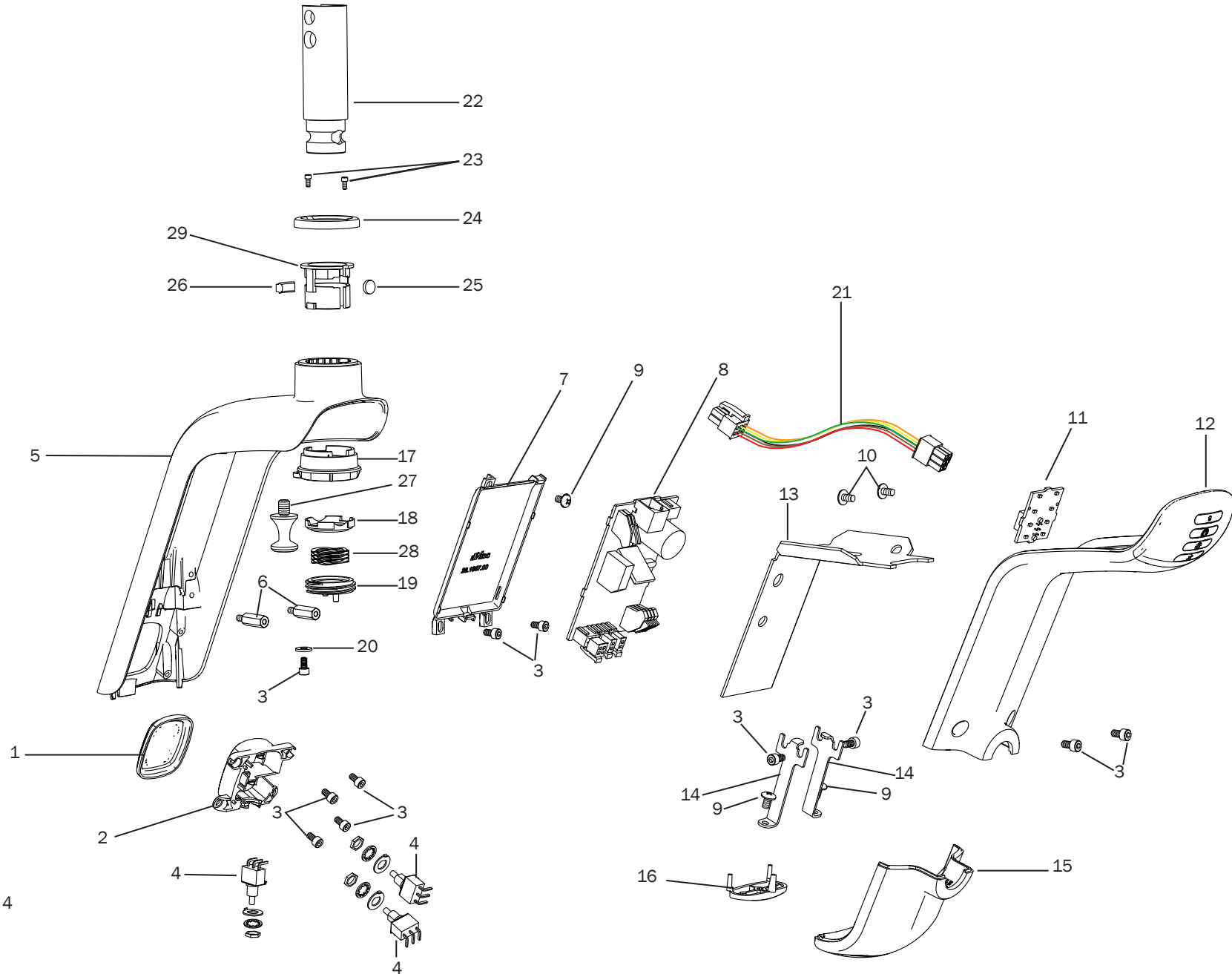


**571L — 577L Controller Assembly (Before December 2015)**

Item	Part Number	Description
1	28.1862.00	Mode button cover
2	28.1863.00	Switch holder
3	001.034.00	Screw, socket head, 6-32 x 1/4, SST
4	041.728.00	Switch, push, 1P2T, 20 V
5	28.1910.01	Driver housing
6	041.747.00	Standoff, hex, 6-32 x 5/8 long, aluminum
7	28.1887.00	Cover, driver board, LED LT
8	43.0200.00	PCA Assy, LED driver
9	001.073.00	Screw, pan head, Phillips, 6 - 32 x 1/4, SST
10	001.275.00	Truss head Phillips screw, 6-19 x 1/4
11	43.0217.00	LED indicator display
12	28.1857.00 28.1857.01	Display housing, gray Display housing, surf
13	28.1869.00	Bracket
14	28.1898.00	Bracket, lower cover
15	28.1861.00 28.1861.01	Cover, power button, LED LT, gray Cover, power button, LED LT, surf
16	28.1914.00	Power button cap, LED
17	28.1860.00	Locking nut, LED, upper pivot
18	28.1955.00	Pivot adjustment wedge
19	28.1885.00	Friction adjust, LED pivot
20	004.012.00	Washer, flat, steel, zinc, .156 ID
21	43.0218.00	LED indicator cable assembly
22	28.1031.01	Knuckle, 3 IN, dental LT end, white
23	001.015.00	Screw, socket head, 2-56 x .187 SST
24	28.1859.00	Bearing, adjustable, LED Pivot
25	28.0679.00	Pivot stop
26	28.1951.00	Cap, driver housing
27	28.1868.00	Floating stop

Replacement Kit	Description
90.1344.00	Indicator cover assembly, gray (includes items 3, 12, 13)
90.1344.01	Indicator cover assembly, surf (includes items 3, 12, 13)
28.1861.00	Cover, power button, LED LT, white (includes item 15)
28.1861.01	Cover, power button, LED LT, surf (includes item 15)
90.1346.00	Driver board assembly kit (includes items 7, 8)
90.1347.01	Lower cover on/off button kit, gray (includes items 9, 14, 15)
90.1347.00	Lower cover on/off button kit, surf (includes items 9, 14, 15)
90.1348.00	LED mode switch assembly (includes items 1, 2, 3, 16)
90.1349.00	Neck pivot assembly (includes items 17, 18, 19, 20)
90.1345.00	Indicator board cable kit (includes item 11)

# 571L – 577L Controller Assembly (Effective December 2015)

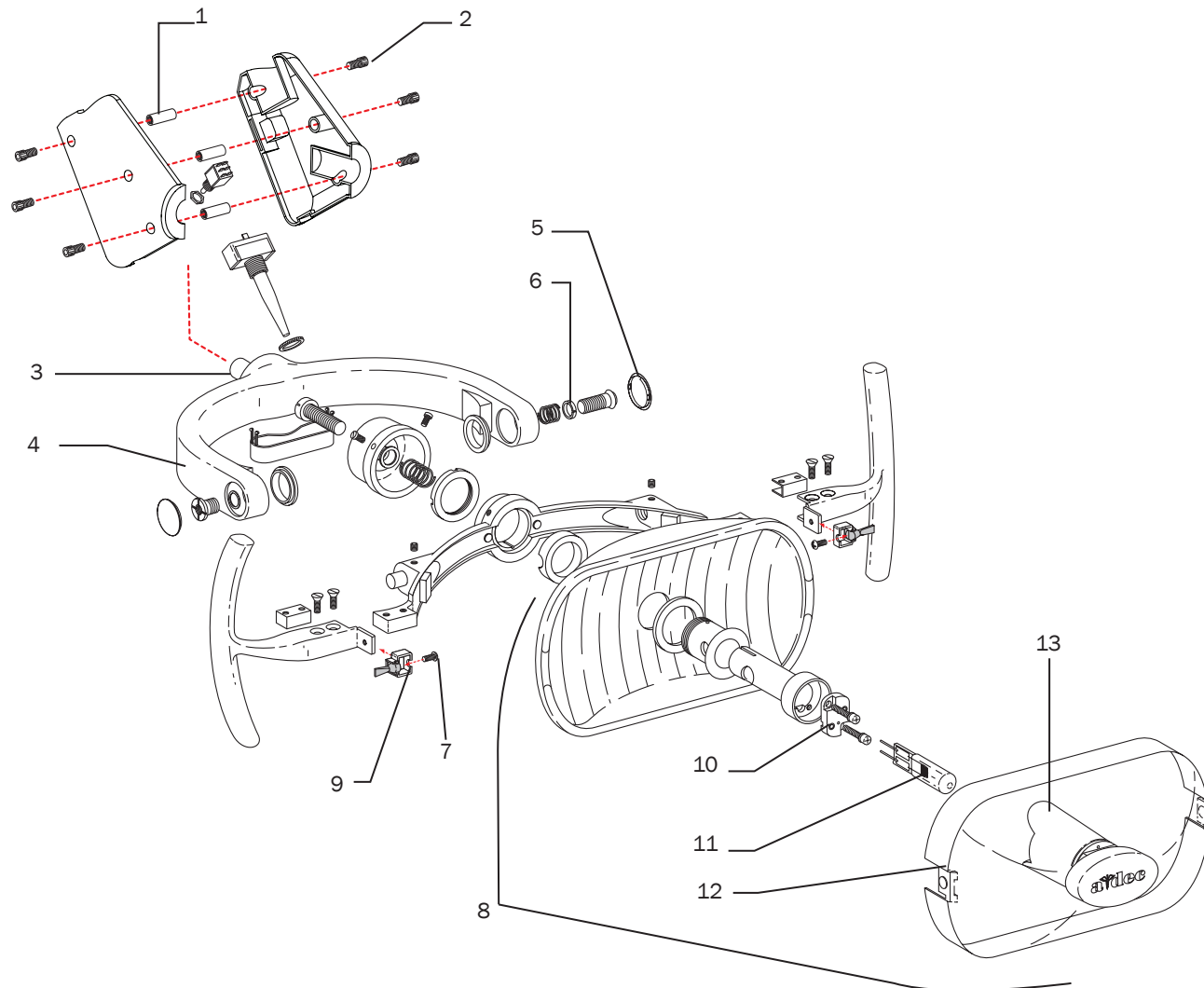


**571L — 577L Controller Assembly (Effective December 2015)**

Item	Part Number	Description
1	28.1862.00	Mode button cover
2	28.1863.00	Switch holder
3	001.303.00	Socket head screw, 6-32 x 5/16"
4	041.728.00	Switch, push, 1P2T, 20 V
5	28.1910.01	Driver housing
6	041.747.00	Standoff, hex, 6-32 x 5/8 long, aluminum
7	28.1887.00	Cover, driver board, LED LT
8	43.0200.00	PCA Assy, LED driver
9	001.073.00	Screw, pan head, Phillips, 6 - 32 x 1/4, SST
10	001.275.00	Truss head Phillips screw, 6-19 x 1/4
11	43.0217.00	LED indicator display
12	28.1857.00 28.1857.01	Display housing, gray Display housing, surf
13	28.2044.00	Bracket, upper cover
14	28.1898.00	Bracket, lower cover
15	28.1861.00 28.1861.01	Cover, power button, LED LT, gray Cover, power button, LED LT, surf
16	28.1914.00	Power button cap, LED
17	28.1860.00	Locking nut, LED, upper pivot
18	28.1955.00	Pivot adjustment wedge
19	28.1885.00	Friction adjust, LED pivot
20	004.012.00	Washer, flat, steel, zinc, .156 ID
21	43.0218.00	LED indicator cable assembly
22	28.1031.01	Knuckle, 3 IN, dental LT end, white
23	001.015.00	Screw, socket head, 2-56 x .187 SST
24	28.1951.00	Cap, driver housing
25	28.0679.00	Pivot stop
26	28.1868.00	Floating stop
27	28.2043.00	Stud
28	013.134.00	Spring, compression, wave, .875 OD x .500
29	28.1859.00	Bearing, adjustable, LED Pivot

Replacement Kit	Description
90.1344.00	Indicator cover assembly, gray (includes items 3, 12, 13)
90.1344.01	Indicator cover assembly, surf (includes items 3, 12, 13)
28.1861.01	Power button cover kit, surf (includes item 15)
28.1861.00	Power button cover kit, gray (includes item 15)
90.1346.00	Driver board assembly kit (includes items 7, 8)
90.1347.01	Lower cover on/off button kit, gray (includes items 9, 14, 15)
90.1347.00	Lower cover on/off button kit, surf (includes items 9, 14, 15)
90.1348.00	LED mode switch assembly (includes items 1, 2, 3, 4, 16)
90.1349.00	Neck pivot assembly (includes items 17, 18, 19, 20)
90.1345.00	Indicator board cable kit (includes item 11)

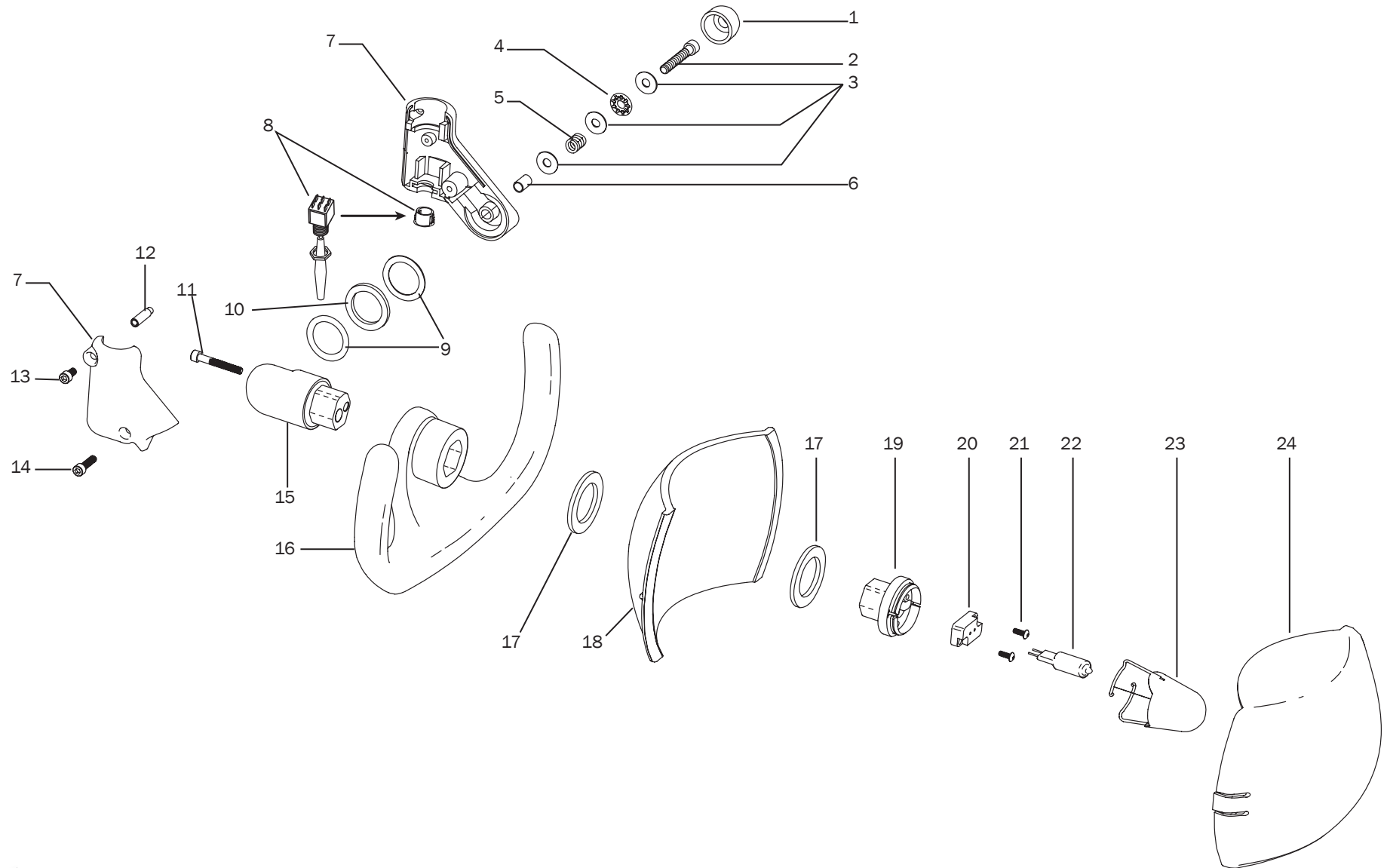
## 571/572/6300 Light Head Assembly



**571/572/6300 Light Head Assembly**

Item	Part Number	Description
1	28.1467.00	Stand-off
2	002.135.00	Screw, socket head 10-32 x 1/2" stainless steel
3	28.1001.00	Bushing, pivot, light yoke
4	28.1009.01 28.1009.00	Light yoke, white Light yoke, surf
5	90.1558.00 90.1557.00	Plug, light yoke, white, package of 2 Plug, light yoke, surf, package of 2
6	28.1008.00	Spacer, light yoke
7	002.140.00	Screw, button head socket patch, 6-32 stainless steel
8	28.1429.01 28.1429.00	Dental light head, white Dental light head, surf
9	28.1012.01 28.1012.00	Toggle bracket assembly, package of 2, white Toggle bracket assembly, package of 2, surf
10	90.0463.01	Lamp socket kit
11	041.709.00	Lamp, halogen, 17 V
12	28.0503.02	Lens, dental light (includes nosepiece)
13	28.0555.00	Lamp shield with M3 x 8 screws

# 371/372 Light Head Assembly





## 371/372 Light Head Assembly

Item	Part Number	Description
1	28.1320.01	Cap
2	005.148.00	Screw, socket head, 1/4-28 x 1 1/2", stainless steel
3	016.053.00	Washer, thrust, .250 ID x .687 OD x .032 long, steel
4	016.054.00	Bearing thrust needle, .250 ID x .687 OD x .087 long
5	013.129.00	Spring compression, .480 x .620 FL
6	016.067.00	Bearing sleeve, .253. ID x .500 LG
7	28.1173.01	Switch housing
8	018.002.06 43.0249.00	Plug hole, 1/2" Switch assembly, dental light
9	004.207.00	Washer, flat, SST, 1.00 ID x 1.362 OD x .03 nickel chrome
10	28.1175.01	Washer, thrust, 1.362 OD, package of 5
11	002.036.01	Screw, socket head 10-32 x 1 3/8"
12	28.1002.00	Pin, switch housing
13	002.130.00	Screw, socket head, 10-32 x 3/8"
14	002.073.00	Screw, socket head, 10-32 x 3/4
15	28.1641.00	Light yoke, rear
16	28.1633.00	Molded handle
17	28.1628.00	Gasket, reflector light
18	28.1609.00	Reflector
19	28.1630.00	Light socket holder
20	28.1632.00	Bulb socket
21	001.167.00	Screw, button head socket, 6 - 32 x 3/8, SST
22	041.709.00	Lamp, halogen 17 V
23	28.1635.00	Bulb cap assembly
24	28.1634.00	Shield, reflector

Replacement Kit	Description
90.1396.00	Light reflector kit (includes items 2, 11, 18)
90.1220.00	Vertical tilt adjustment kit (includes items 1, 2, 3, 4, 5, 6, 9, 10)
90.1219.00	Light housing kit (includes item 7, 12, 13, 14)
90.1227.00	Bulb socket replacement kit (includes items 20)
90.1314.00	Toggle upgrade kit (includes item 8)
90.1395.00	Light handle kit, 371 (includes items 11, 16)

# Dental Light Mounting Locations


page 36  
6300/576L



**Ceiling Mounted**

page 34  
6300/574L

page 32  
6300/575L




**Wall/Side Cabinet Mounted**

page 22  
371L/571/571L

page 24  
371 Before July 2011

page 26  
371 (Effective July 2011) /371L/571L



**Support-Side Mounted**

page 28  
372/372L/572/572L



**Radius Mounted**

page 30  
6300/573L



**Post Mounted**


page 32  
6300/574L



**Central Cabinet Mounted**

page 38  
6300/577L  
Track Mounted

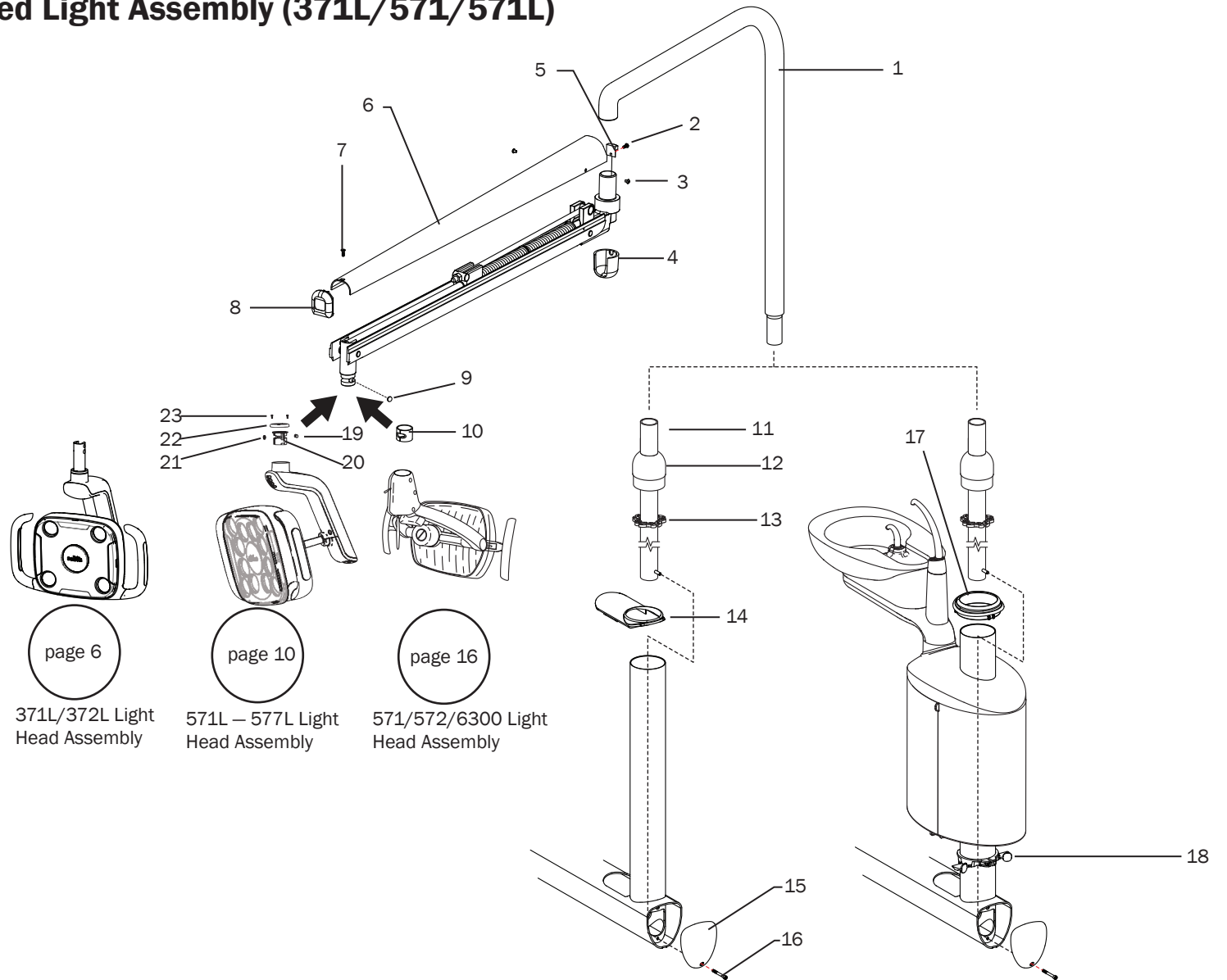
page 40  
6300/577L  
Trolley Mounted



**Track Mounted**



# Support Side Mounted Light Assembly (371L/571/571L)



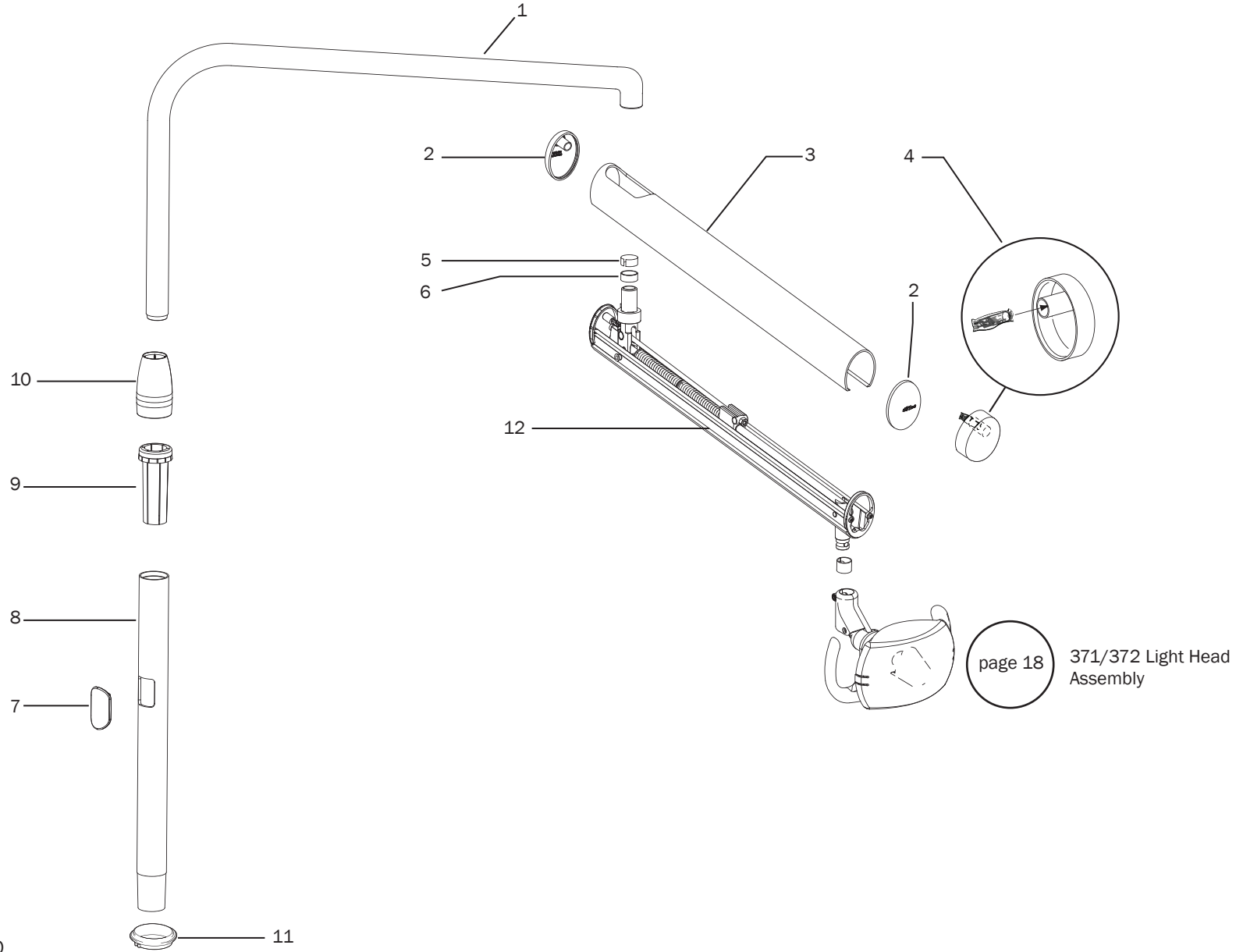
**Support Side Mounted Light Assembly****371L/571L/571L**

Item	Part Number	Description
1	28.0486.01 28.0486.00	Light post assy, upper, white Light post, assy, upper, surf
2	001.167.00	Screw, button head socket, 6 - 32 x 3/8, SST
3	002.103.00	Screw, button head socket 6-32 x 3/16, SST
4	28.1531.01 28.1531.00	Cover, knuckle, white Cover, knuckle, surf
5	28.1500.00	Retainer, light arm
6	28.1059.04 28.1059.03	Cover, light flexarm, white Cover, light flexarm, surf
7	003.099.00	Screw, flat head, tap, Phillips, 6-19 x 1/2, steel zinc
8	75.0008.01 75.0008.00	Cap, light arm, front, white Cap, light arm, front, surf
9	28.1868.00	Floating stop
10	28.1003.00	Bushing, swivel, light switch housing
11	28.1535.01 28.1535.00	Light post weldment, lower, white Light post weldment, lower, surf

Item	Part Number	Description
12	28.1509.01 28.1509.00	Support, light post, white Support, light post, surf
13	28.1574.00	Support, light post, internal
14	77.0091.01 77.0091.00	Cover, horizontal arm, white Cover, horizontal arm, surf
15	77.0096.01 77.0096.00	Cover, end, lower support arm, white Cover, end, lower support arm, surf
16	002.124.00	Screw, socket head 10-32 x 1 3/4"
17	77.0095.01 77.0095.00	Trim ring, white Trim ring, surf
18	77.0232.00	Spacer
19	28.1868.00	Floating stop
20	28.1859.00	Bearing, adjustable, LED Pivot
21	28.0679.01	Pivot stop, packge of 5
22	28.1951.00	Cap, driver housing
23	001.015.00	Screw, socket head, 2-56 x .187 SST

Replacement Kit	Description
90.1349.00	Neck pivot assembly kit (includes items 19, 20, 21, 22, 23)

### Support Side Mounted Light Assembly (371 Before July 2011)



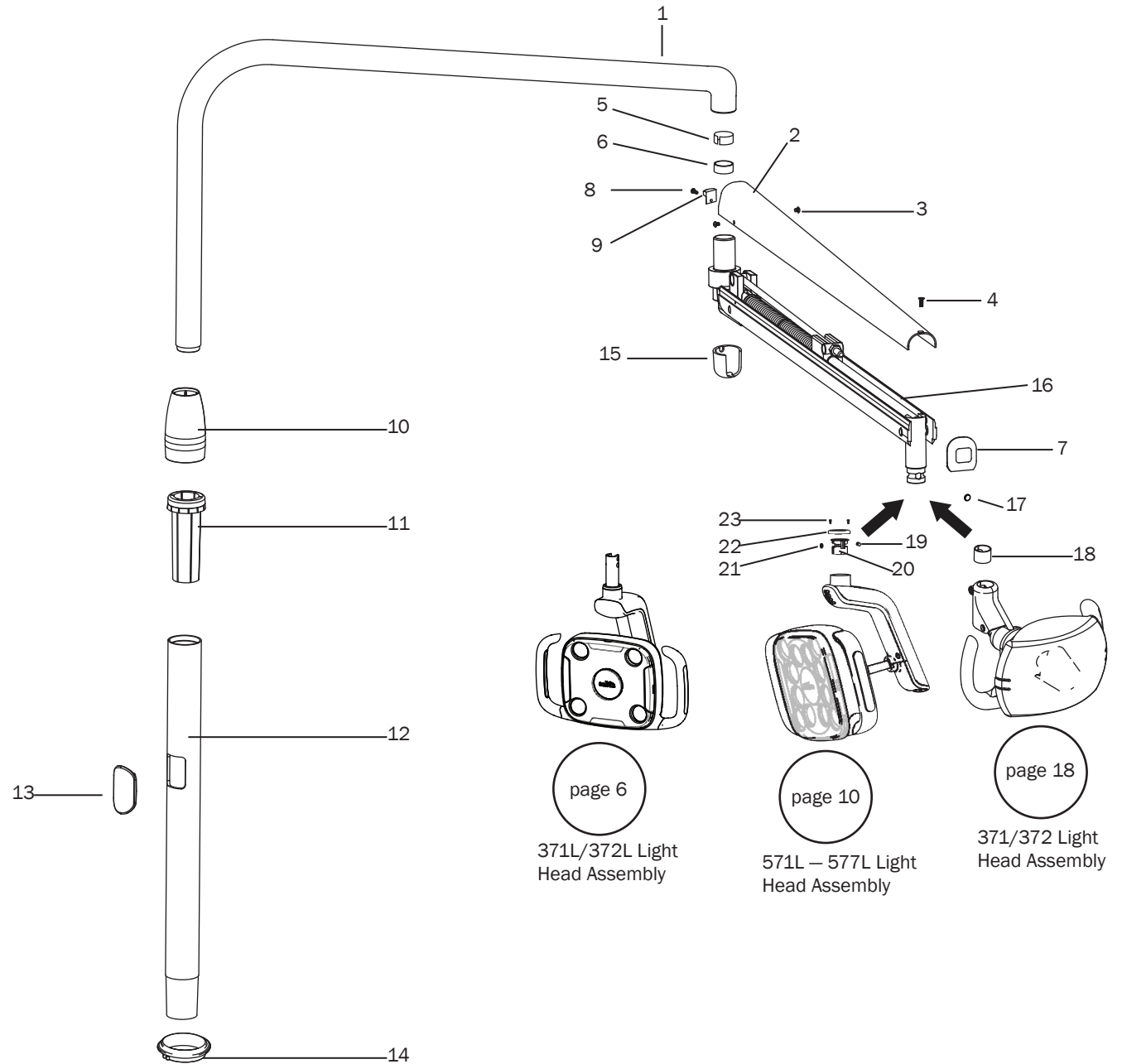
## Support Side Mounted Light Assembly 371 (Before July 2011)

Item	Part Number	Description
1	28.1623.00	Light post, upper
2	75.2018.00	Cap, light arm
3	28.1626.00	Cover, flexarm
4	041.709.00	Lamp, halogen, 17 V
5	016.149.00	Bearing sleeve, 1.138 ID x 1.059 OD x .500 long, steel PTFE
6	016.097.00	Bearing sleeve, 1.059 ID x 1.138 OD x .500 long, bronze
7	75.0150.00	Post plug, internal, white
8	28.1624.00	Intermediate light post
9	12.0974.00	Bushing, post, 1-1/2 ID x 2.0 OD x 5.2 LG
10	77.0824.00	Trim ring
11	77.0876.00	Trim ring, post box, 2"
12	n/a	Flexarm assembly

Replacement Kit	Description
28.1849.00	Flexarm assembly kit (replacement for items 1, 3, 5, 6, 7, 12 with a new flexarm)



# Support Side (2" Post Mount) Mounted Light Assembly (371/371L/571L) (371 Effective July 2011)

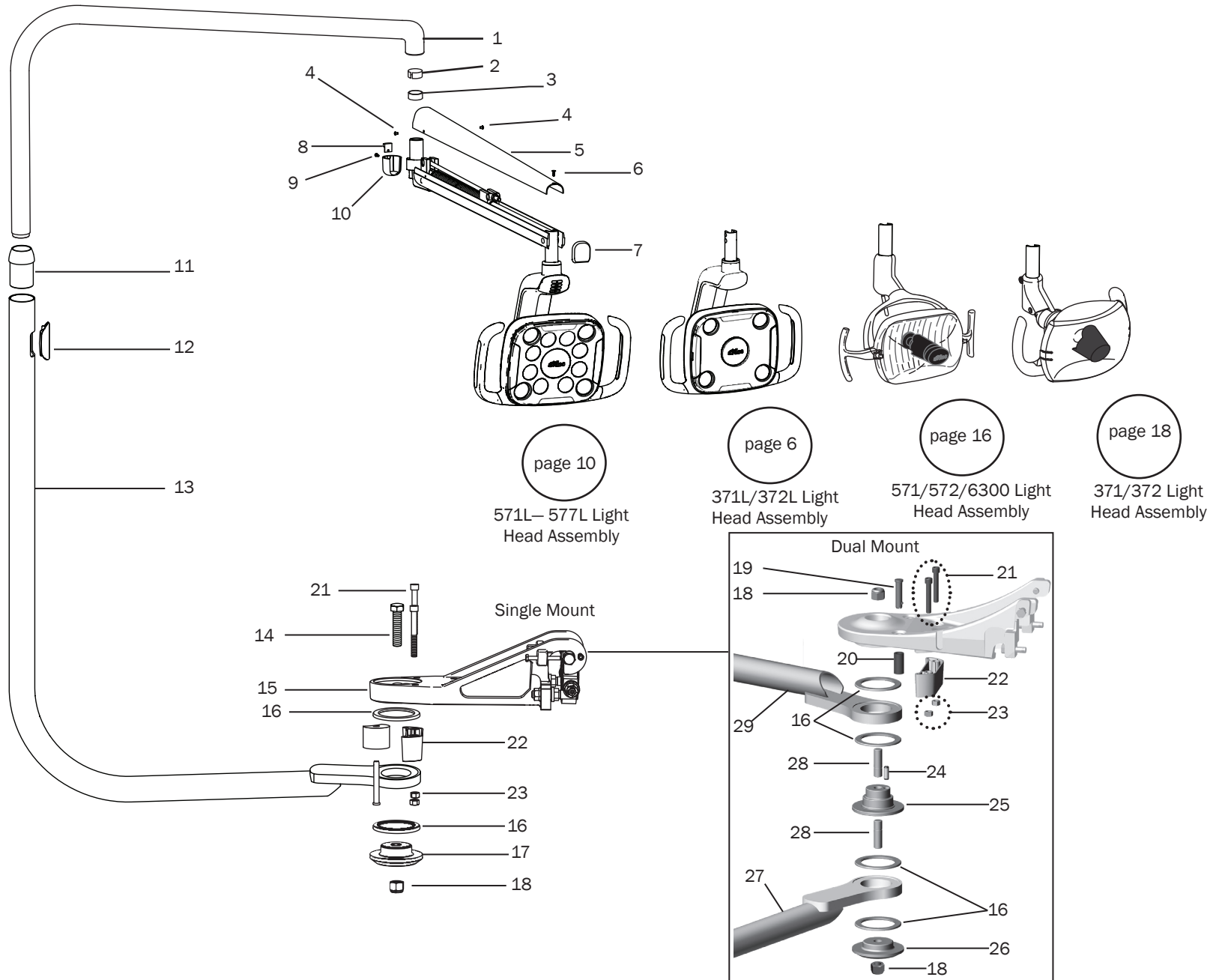


**Post (2" Post Mount) Mounted Light Assembly****371/371L/571L**

Item	Part Number	Description
1	28.1623.00	Light post, upper
2	28.1059.04	Cover, light flexarm, white
3	002.103.00	Screw, button head socket 6-32 x 3/16, SST
4	003.099.00	Screw, flat head, tap, Phillips, 6-19 x 1/2, steel zink
5	016.149.00	Bearing sleeve, 1.138 ID x 1.059 OD x .500 long, steel PTFE
6	016.097.00	Bearing sleeve, 1.059 ID x 1.138 OD x .500 long, bronze
7	75.0008.01	Cap, light arm, front
8	001.167.00	Screw, button head socket, 6 - 32 x 3/8, SST
9	28.1500.00	Retainer, light arm
10	77.0824.00	Trim ring
11	12.0974.00	Bushing, post, 1-1/2 ID x 2.0 OD x 5.2 LG
12	28.1624.00	Intermediate light post
13	75.0150.00	Post plug, internal, white
14	77.0876.00	Trim ring, post box, 2"
15	28.1531.01	Cover, Knuckle
16	n/a	Flexarm assembly
17	28.1868.00	Floating stop
18	28.1003.00	Bushing, swivel, light switch housing
19	28.0679.01	Slug, pivot stop, package of 5
20	28.1859.00	Bearing, adjustable, LED Pivot
21	28.0679.04	Pivot stop, package of 5
22	28.1951.00	Cap, driver housing
23	001.015.00	Screw, socket head, 2-56 x .187 SST

Replacement Kit	Description
28.2032.00	Light post assembly (includes items 1, 5, 6)
90.1349.00	Neck pivot assembly kit (includes items 20, 22)
28.1849.00	Flexarm assembly kit (includes items 2-4, 7, 19)

# Radius Mounted Light Assembly (372/372L/572/572L)



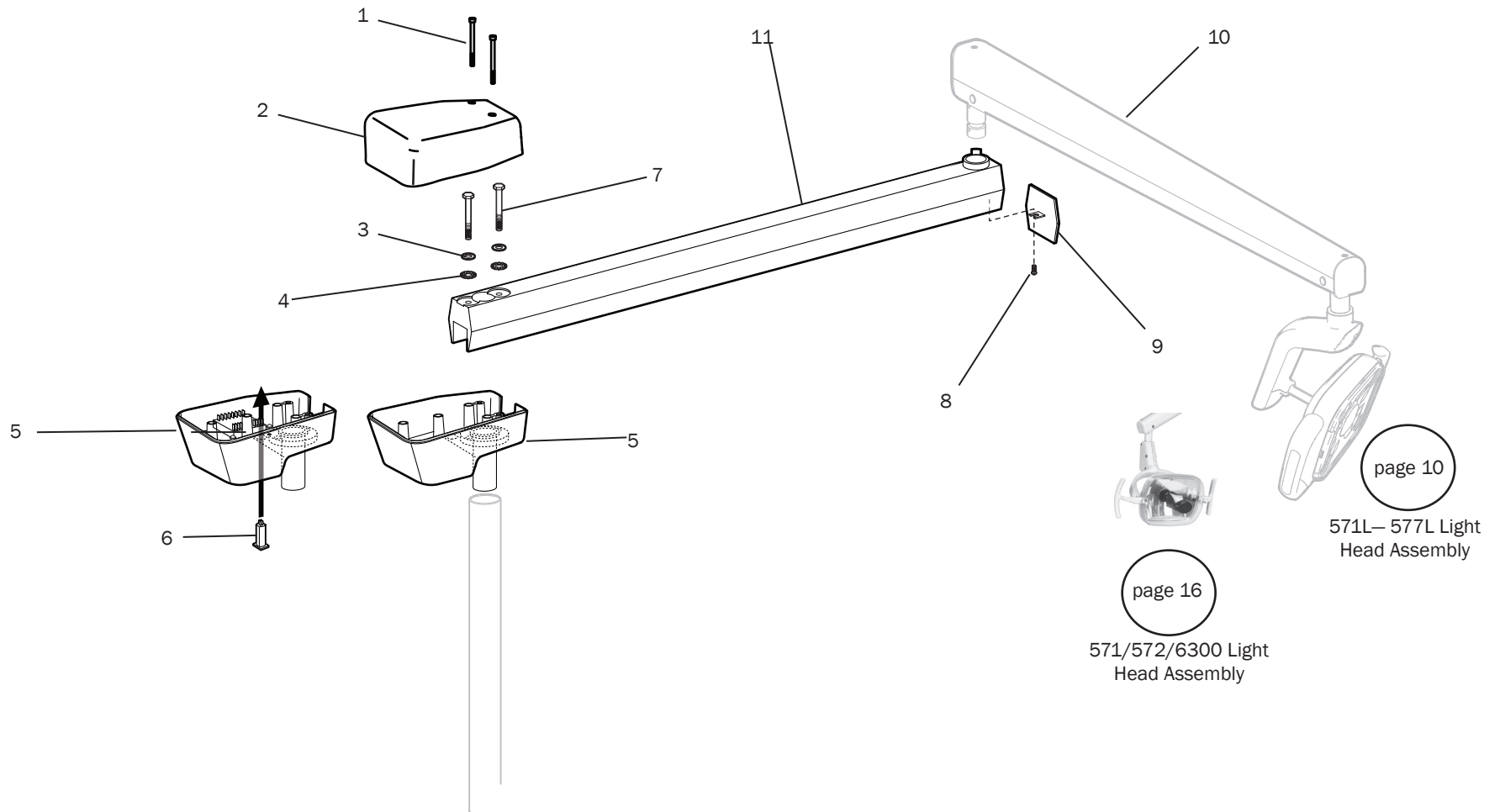
**Radius Mounted Light Assembly****372/372L/572/572L**

Item	Part Number	Description
1	28.0486.01 28.0486.00	Light post assy, upper, white Light post, assy, upper surf
2	016.097.00	Bearing sleeve, 1.059 ID x 1.138 OD x .500 long, bronze
3	016.149.00	Bearing sleeve, 1.138 ID x 1.059 OD x .500 long, steel PTFE
4	002.103.00	Screw, button head socket 6-32 x 3/16, SST
5	28.1059.04 28.1059.03	Cover, light flexarm, white Cover, light flexarm, surf
6	003.099.00	Screw, flat head, tap, Phillipis, 6-19 x 1/2, steel zinc
7	75.0008.01 75.0008.00	Cap, light arm, front, white Cap, light arm, front, surf
8	28.1500.00	Retainer, light arm
9	001.167.00	Screw, button head socket, 6 - 32 x 3/8, SST
10	28.1531.00 28.1531.01	Cover, knuckle, surf Cover, knuckle, white
11	77.1175.00	Adapter
12	75.0150.00	Post plug, inernal, white
13	28.2033.00	Lower light post with hub (includes items 11 and 12)
14	005.176.00	Hex head screw, grade 5, 5/8 -18 x 3/4, zinc

Item	Part Number	Description
15	77.0186.01 77.0186.00	Unit mount, white Unit mount, surf
16	016.133.00	Bearing, thrust, enclosed, 63 mm ID x 86 mm OD, steel
17	77.1057.01	Cap, bearing, unit MT
18	006.124.00	Nut, hex, lock, 5/8 - 18, steel zinc
19	011.140.00	Pin
20	77.1258.00	Rotation stop
21	005.154.00	Socket head screw, grade 8, 3/8-16 x 2-1/4, black steel
22	77.1170.00	Dual rotation stop
23	006.130.00	Hex nut, 3/8-16 x 9/16 x 21/64, cadium steel
24	011.137.00	Dowel pin
25	77.1159.00	Hub
26	77.1057.00.00	Cap, bearing, unit MT, white 2
27	28.1839.00	Light post weldment
28	77.1070.00	Stud, 5/8-18
29	77.1154.00	Control head post

Replacement Kit	Description
90.1388.00	Rotation Stop Kit (includes item 19, 20)
90.1422.00	Hub and Spacer Install Kit (includes items 18, 20, 24, 25, 28)
28.2033.00	Lower Light Post with Hub (includes items 11, 12, 27)

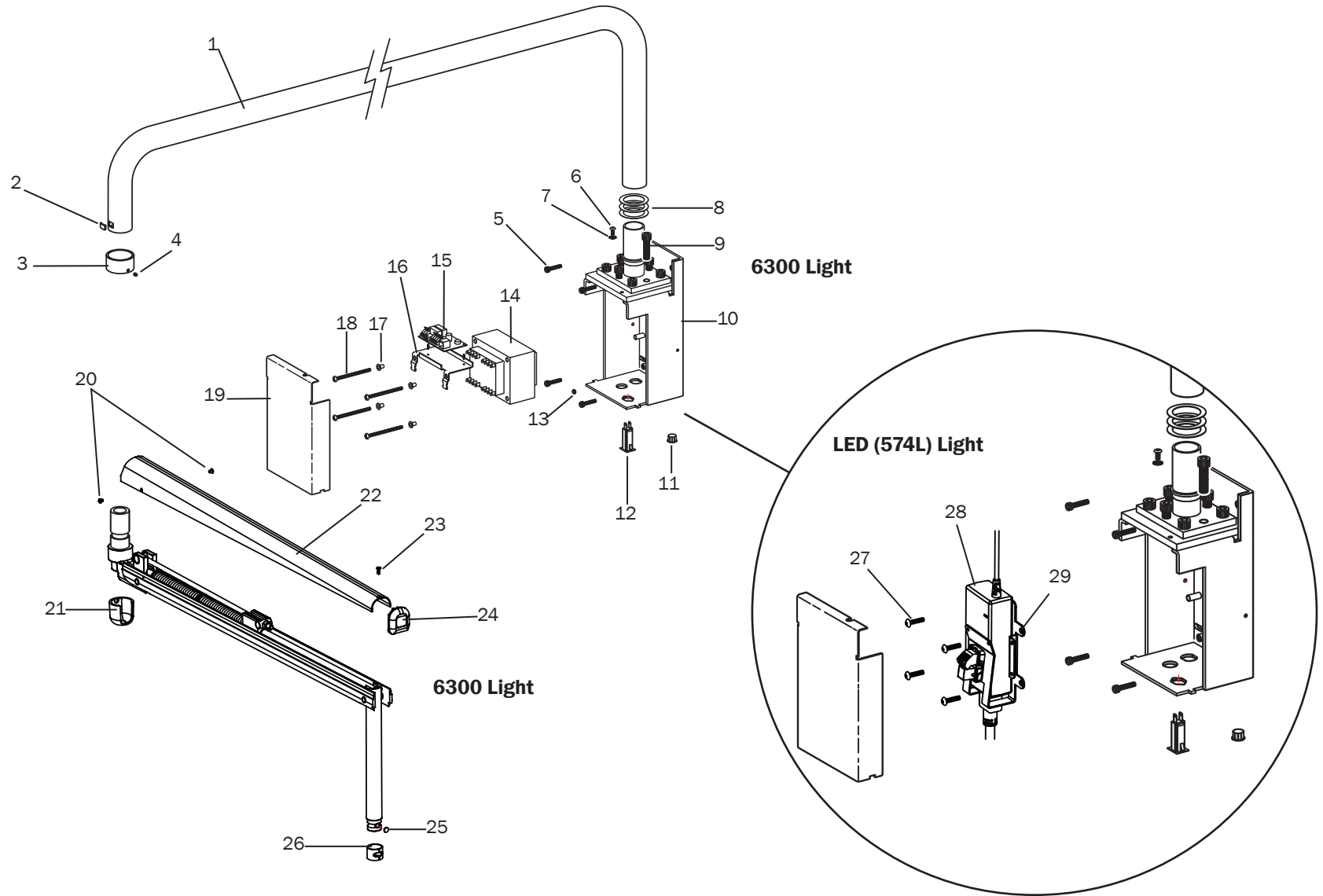
## Post Mounted Light Assembly (6300/573L)



## Post (2" Post Mount) Mounted Light Assembly 6300/573L

Item	Part Number	Description
1	005.106.00	Screw, socket head, 10-32 x 2-1/2, SST
2	28.1553.01	Housing cover, transformer
3	004.141.00	Washer, flat, steel zinc, .261 ID
4	004.058.00	Washer, lock
5	28.1552.01	Housing cover, transformer
6	28.0758.00	6300 Circuit breaker
7	005.083.00	Screw, hex head, 1/4 - 20 x 2 - 1/2
8	001.073.00	Screw, pan head, Phillips, 6 - 32 x 1/4, SST
9	28.1045.01 28.1045.00	End cap, white End cap, surf
10	28.1971.00	Flexarm, white Flexarm, surf
11	28.2092.00	Rigid arm, transformer housing assembly, post mt Rigid arm, surf

# Cabinet Mounted Light Assembly 6300/574L





**Cabinet Mounted Light Assembly****6300/574L**

Item	Part Number	Description
1	28.1814.00	Pivot arm, light, wall, white
2	28.0566.00	Locking tab
3	28.1092.01 28.1092.00	Collar, retaining track, white Collar, retaining track, surf
4	007.002.00	Setscrew, 6-32 x 3/16
5	002.120.00	Socket head screw, 1/4-20 x 1"
6	005.012.03	Button head screw 10-32 x 3/8", stainless steel
7	004.076.00	Lock washer, ext tooth, #10
8	004.071.00	Washer, flat 1.50 ID
9	002.068.00	Screw, socket head 3/8-16 x 1"
10	28.1564.00	Mounting bracket (Rigid post hub p/n 28.0057.01, not included)
11	018.042.00	Bushing, snap, 5/8" Dia.
12	28.0758.00	Circuit breaker, 10 Amp
13	006.002.00	Nut, hex 10-32 x 3/8 x 1/8"
14	28.1588.00	Transformer
15	28.1577.00	Circuit board dental light relay (includes item 16)
16	43.0080.00	Bracket, circuit board lights
17	004.232.00	Washer, shoulder
18	005.156.00	Screw, pan head 8-32 x 2-3/4", stainless steel
19	28.1566.00	Transformer cover
20	002.103.00	Screw, button head socket 6-32 x 3/16, SST
21	28.1531.01 28.1531.00	Cover, knuckle, white Cover, knuckle, surf
22	28.1059.01 28.1059.00	Cover, light flexarm, white Cover, light flexarm, surf

Item	Part Number	Description
23	003.099.00	Screw, flat head, tap, Phillips, 6-19 x 1/2, steel zinc
24	75.0008.01 75.0008.00	Cap, light arm, front, white Cap, light arm, front, surf
25	28.0679.01	Slug, pivot stop, package of 5
26	28.1003.00	Bushing, swivel, light switch housing
27	002.165.00	8-32 X 3/4" Button head socket screw
28	90.1316.00	24 VDC, 30 Watt, 90-240 V power supply assembly
29	28.1907.00	Bracket

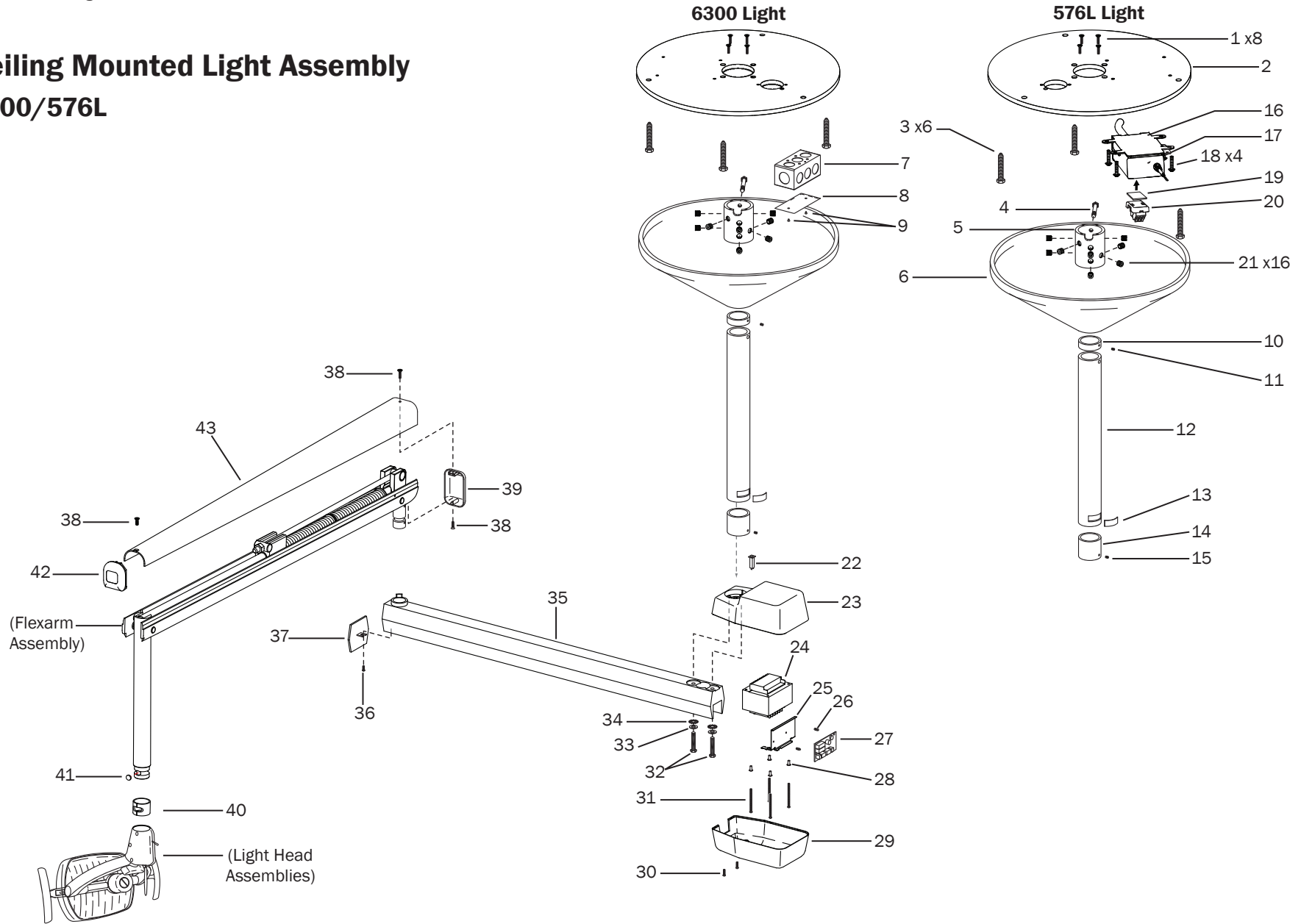


**Wall Mounted Light Assembly****6300/575L**

Item	Part Number	Description
1	28.1814.00	Pivot arm, light, wall, Preference II, white
2	28.0566.00	Locking tab
3	28.1092.01 28.1092.00	Collar, white Collar, surf
4	002.103.00	Screw, button head socket 6-32 x 3/16, SST
5	28.1531.01 28.1531.00	Cover, knuckle, white Cover, knuckle, surf
6	28.1929.00 28.1054.01 28.1598.00	LED White flexarm assembly 6300 White flexarm assembly 6300 Surf flexarm assembly
7	005.012.03	Screw, 10-32 x 3/8", stainless steel
8	004.076.00	Lock washer, external tooth, #10
9	007.002.00	Setscrew, socket cup point, 6-32 x 3/16"
10	28.1565.01 28.1565.00	Cover, transformer, white Cover, transformer, surf
11	004.232.00	Washer, shoulder, insulating, #8
12	005.156.00	Screw, 8-32 x 2-3/4" pan head Phillips, stainless steel
13	005.057.00	Bolt 1/4-20 x 30 mm
14	28.1588.00	Transformer, 6300 light, OTC
15	28.1577.00	Dental light circuit board (includes item 16)
16	041.691.00	Stand-off, circuit board, plastic, 1/4" high, 0.10"
17	004.071.00	Washer, flat, nylatron, 1.5 ID
18	90.1433.00	Backboard, dental light, wall

Item	Part Number	Description
20	003.065.00	Screw, hex head, lag, 1/4" x 3" zinc
21	004.131.00	Washer, flange, lag bolt cap, 0.25 ID
22	004.141.00	Washer, flat, steel zinc, .261 ID
23	018.069.00	Plug, hole, 7/8" diameter
24	28.0758.00	Circuit breaker, 10 Amp
25	018.047.00	Bushing, strain relief, 0.325 - 0.36" diameter, 0.125
26	018.042.00	Bushing, snap, 5/8" diameter, black
27	003.099.00	Screw, flat head, tap, Phillips, 6-19 x 1/2, steel zinc
28	75.0008.01 75.0008.00	Cap, light arm, front, white Cap, light arm, front, surf
29	28.0679.01	Pivot stop, package of 5
30	28.1003.00	Bushing, swivel, light switch housing
31	002.165.00	8-32 X 3/4" Button head socket screw
32	90.1316.00	Power supply assembly kit, 24 VDC, 30 W, LED
33	28.1907.00	Bracket
34	060.035.00	Double sided foam tape
35	43.0236.00	LED CAN Adaptor board
36	28.1474.00	Pivot pin kit

# Ceiling Mounted Light Assembly 6300/576L



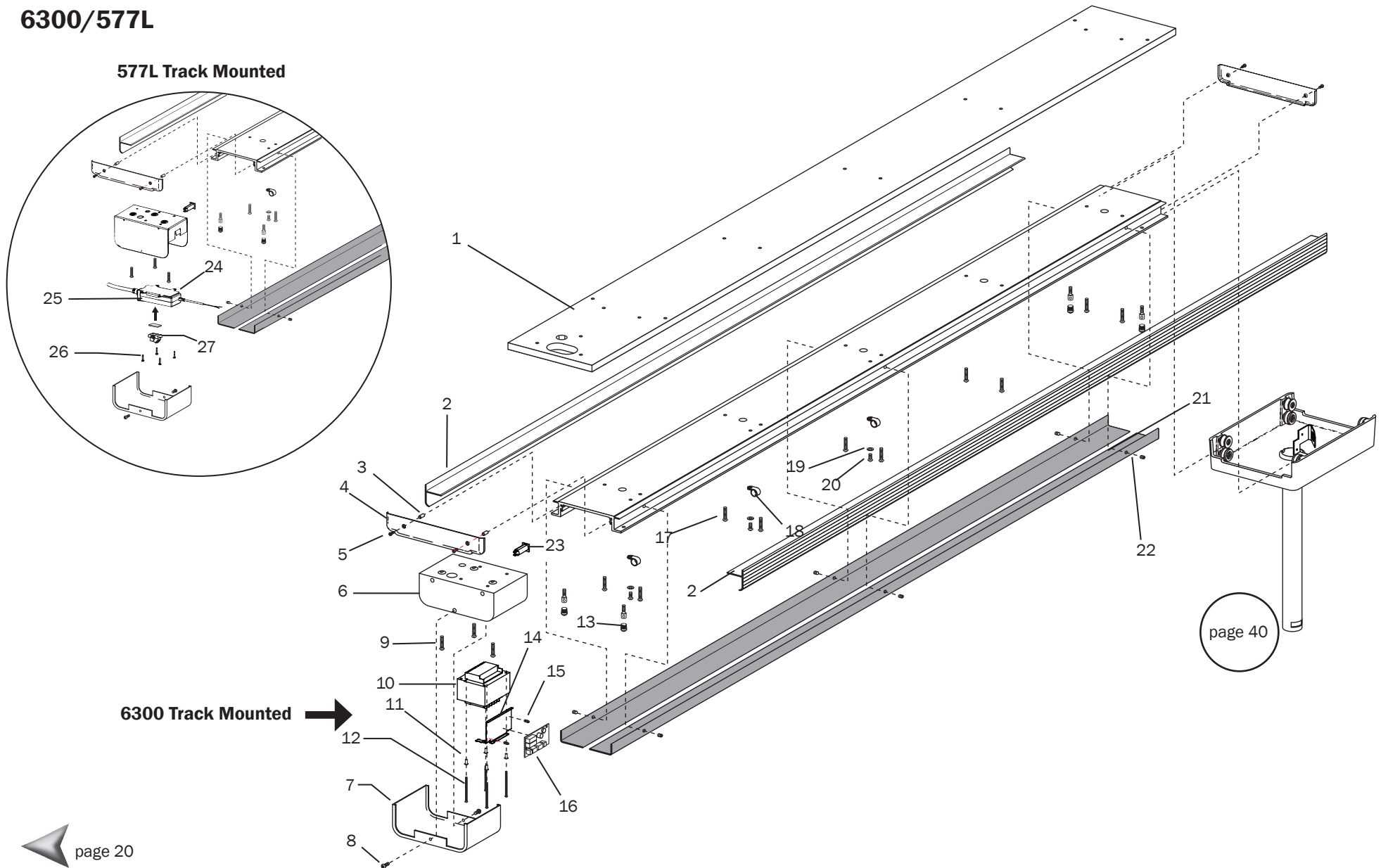
## Ceiling Mounted Light Assembly

Item	Part Number	Description
1	002.085.00	Screw, flat head socket 1/4-20 x 1/2"
2	28.0573.00	Mounting plate, ceiling
3	003.065.00	Screw hex head 1/4 x 3"
4	001.128.00	Screw, hex head screw 1/4-20 x 2 3/4"
5	28.0572.00	Ceiling mount collar
6	28.0571.04 28.0571.03	Cover, ceiling mount dental light, white Cover, ceiling mount dental light, surf
7	041.333.00	Junction box 4" x 2-1/8 x 1-1/2"
8	041.332.00	Junction box cover
9	002.094.02	Screw, button head socket, 10-32 x 1/4" stainless steel
10	28.0569.03 28.0569.02	Stop ring, white Stop ring, surf
11	007.071.00	Setscrew, socket, 6-32 x 1/4"
12	28.1810.00 28.1052.00	Ceiling mount light post 17", white Ceiling mount light post 17", surf
	28.1810.01 28.1052.01	Ceiling mount light post 23", white Ceiling mount light post 23", surf
	28.1810.02 28.1052.02	Ceiling mount light post 29", white Ceiling mount light post 29", surf
	28.1810.03 28.1052.03	Ceiling mount light post 35", white Ceiling mount light post 35", surf
	28.1810.04 28.1052.04	Ceiling mount light post 41", white Ceiling mount light post 41", surf
	28.1810.05 28.1052.05	Ceiling mount light post 47", white Ceiling mount light post 47", surf
	28.1810.06 28.1052.06	Ceiling mount light post 53", white Ceiling mount light post 53", surf
	28.1810.07 28.1052.07	Ceiling mount light post 59", white Ceiling mount light post 59", surf
	28.1810.08 28.1052.08	Ceiling mount light post 65", white Ceiling mount light post 65", surf
13	28.0566.00	Locking tab
14	28.1092.01	Collar, white
	28.1092.00	Collar, surf
15	007.002.00	Setscrew, socket cup point, 6-32 x 3/16"
16	007.005.00	Setscrew, 3/8-16 x 5/16"

Item	Part Number	Description
17	28.1907.00	Bracket
18	90.1316.00	24 VDC, 30 Watt, 90-240 V power supply assembly
19	002.094.02	10-32 X 1/4" Button head socket screws
20	n/a	Double sided foam tape
21	28.1937.00	LED CAN Adaptor board, terminal assembly (includes item 20)
22	28.0758.00	Circuit breaker, 10 Amp
23	28.1552.01	Housing, base, transformer, cast, white
	28.1552.00	Housing, base, transformer, cast, surf
24	28.1588.00	Transformer
25	43.0080.00	Bracket
26	041.691.00	Stand-off, circuit board, plastic, 1/4" high, 0.10"
27	28.1577.00	Dental light circuit board (includes items 25, 26)
28	004.232.00	Washer, shoulder, insulating, #8
29	28.1553.01	Housing, cover, transformer, cast, white
	28.1553.00	Housing, cover, transformer, cast, surf
30	005.106.00	Screw, 10-32 x 2-1/2" socket head
31	005.156.00	Screw, 8-32 x 2-3/4", pan head Phillips, stainless steel
32	005.083.00	Screw, hex head, grade 8, 1/4-20 x 2-1/2" (Post Mount)
	005.060.00	Screw, hex head, grade 8, 1/4-20 x 2-1/2"
33	004.141.00	Washer, flat, steel zinc, .261 ID
34	004.058.00	Washer, lock, internal/external tooth, 1/4"
35	28.0647.03	Rigid arm, dental light, white
	28.0647.02	Rigid arm, dental light, surf
36	001.073.00	Screw, pan head, Phillips, 6 - 32 x 1/4, SST
37	28.1045.01	End cap fixed arm, white
	28.1045.00	End cap fixed arm, surf
38	003.099.00	Screw, flat head, tap, Phillips, 6-19 x 1/2, steel zinc
39	75.0009.01	Cap, light arm, post end, white
	75.0009.00	Cap, light arm, post end, surf
40	28.1003.00	Bushing, swivel, light switch housing
41	28.0679.01	Pivot stop, package of 5
42	75.0008.01	Cap, light arm, front, white
	75.0008.00	Cap, light arm, front, surf
43	28.1027.05	Cover, light arm, white
	28.1027.00	Cover, light arm, surf

Replacement Kit	Description
28.2093.00	Transformer housing assembly (includes items 23, 33-35)

# Track Mounted Light Assembly 6300/577L

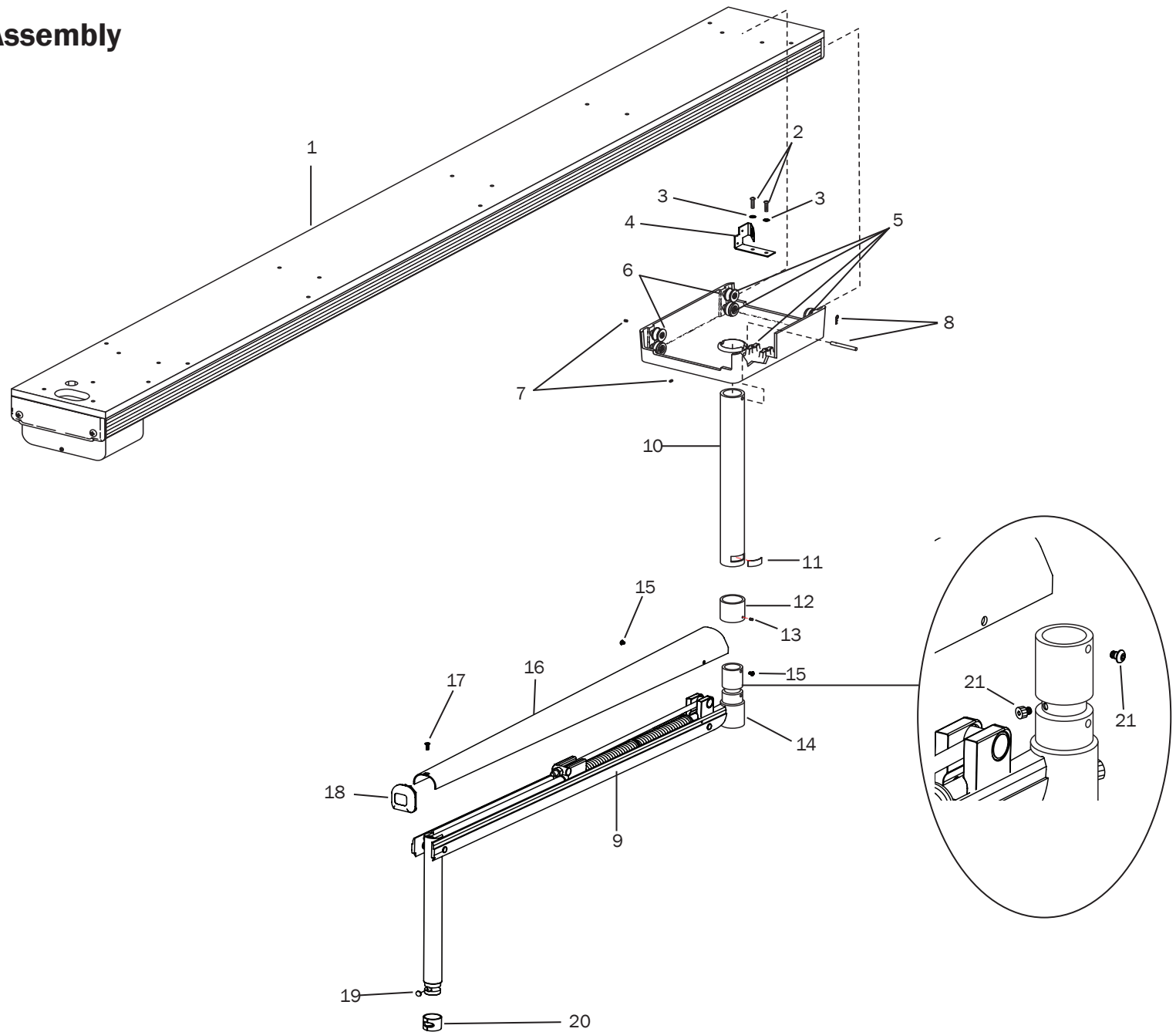


## Track Mounted Light Assembly

### 6300/577L

Item	Part Number	Description	Item	Part Number	Description
1	28.1571.00	Pallet assembly, ceiling track mount	15	041.691.00	Stand-off
2	28.1083.01 28.1083.00	Trim cover, outside, white Trim cover, outside, surf	16	28.1577.00	Dental light circuit board
3	28.0793.00	Spacer, 0.198 ID x 0.437 OD x 0.4" long	17	005.109.02	Screw, button head 1/4-20 x 1"
4	28.1077.01 28.1077.00	End cap, white End cap, surf	18	025.024.00	Cable clamp
5	003.047.00	Screw, pan head Phillips, metal, #10 x 3/4"	19	004.012.00	Washer, flat, steel, zinc, .156 ID
6	28.1570.01 28.1570.00	Housing, transformer, white Housing, transformer, surf	20	003.014.00	Screw, pan head, Phillips #6
7	28.1568.01 28.1568.00	Cover, transformer, white Cover, transformer, surf	21	28.1084.01 28.1084.00	Trim cover, inside track, white Trim cover, inside track, surf
8	002.103.00	Screw, button head socket 6-32 x 3/16, SST	22	007.003.00	Setscrew, socket cup point 10-32 x 3/16"
9	005.002.02	Screw, button head 1/4-20 x 5/8"	23	28.0758.00	Circuit breaker, 10 Amp
10	28.1588.00	Transformer	24	28.1907.00	Bracket
11	004.232.00	Washer, shoulder	25	90.1316.00	24 VDC, 30 Watt, 90-240 V power supply assembly
12	005.156.00	Screw, pan head Phillips, 8-32 x 2-3/4" stainless steel	26	002.165.00	Button head socket screw, 8-32 X 3/4
14	43.0080.00	Bracket	27	28.1937.00.00	LED CAN Adaptor board

# Track Mounted Trolley Assembly 6300/577L





## Track Mounted Trolley Assembly 6300/577L

Item	Part Number	Description
1	28.1079.01	Track assembly, white 120 V
	28.1238.01	Track assembly, white, 240 V
	28.1927.00	Track assembly, white, LED
2	001.004.00	Screw, pan head 10-32 x 3/8", stainless steel
3	004.040.00	Lock washer
4	28.0667.00	Bracket, electric connector
5	28.0790.00	Crowned wheel assembly
6	28.0789.00	Grooved wheel assembly
7	007.042.00	Setscrew, 1/4-20 x 3/8"
8	99.0733.00	Cross pin kit
9	28.1596.00	Flexarm assembly, surf
	28.1596.01	Flexarm assembly, white
10	28.1817.00	15" post, white
	28.1085.00	15" post, surf (8' ceiling)
	28.1817.01	21" post, white
	28.1085.01	21" post, surf (8' 6" ceiling)
	28.1817.02	27" post, white
	28.1085.02	27" post, surf (9' ceiling)
	28.1817.03	33" post, white
	28.1085.03	33" post, surf (9' 6" ceiling)
	28.1817.04	39" post, white
	28.1085.04	39" post, surf (10' ceiling)

Replacement Kit	Description
28.1596.00	Flexarm assembly, track light, white (Includes Item 14)
28.1596.01	Flexarm assembly, track light, surf (Includes Item 14)

Item	Part Number	Description
11	28.0566.00	Locking tab
12	28.1092.01	Retaining collar, white
	28.1092.00	Retaining collar, surf
13	007.002.00	Setscrew, 6-32 x 3/16"
14	28.1572.01	Mounting hub, white
	28.1572.00	Mounting hub, surf
15	002.103.00	Screw, button head socket 6-32 x 3/16, SST
16	28.1059.01	Cover, light flexarm, white
	28.1059.00	Cover, light flexarm, surf
17	003.099.00	Screw, flat head, tap, Phillipis, 6-19 x 1/2, steel zinc
18	75.0008.01	Cap, light arm, front, white
	75.0008.00	Cap, light arm, front, surf
19	28.0679.01	Pivot stop, package of 5
20	28.1003.00	Bushing, swivel, light switch housing
21	002.123.00	Stop screw, socket head, 10-32 x 1/4 stainless steel

# Monitor Mounts Illustrated Parts Breakdown

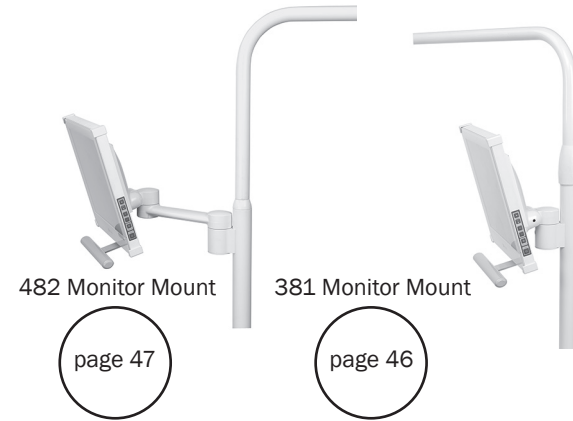


382 Radius Mounted

page 43

531 Front Mounted (Obsolete)

page 48



584 Cabinet Mounted

page 50



585 Wall/Side Mounted

page 51



581 Support Side Mounted (Formerly Model 561)

page 54

581 Support Side Tray

page 56



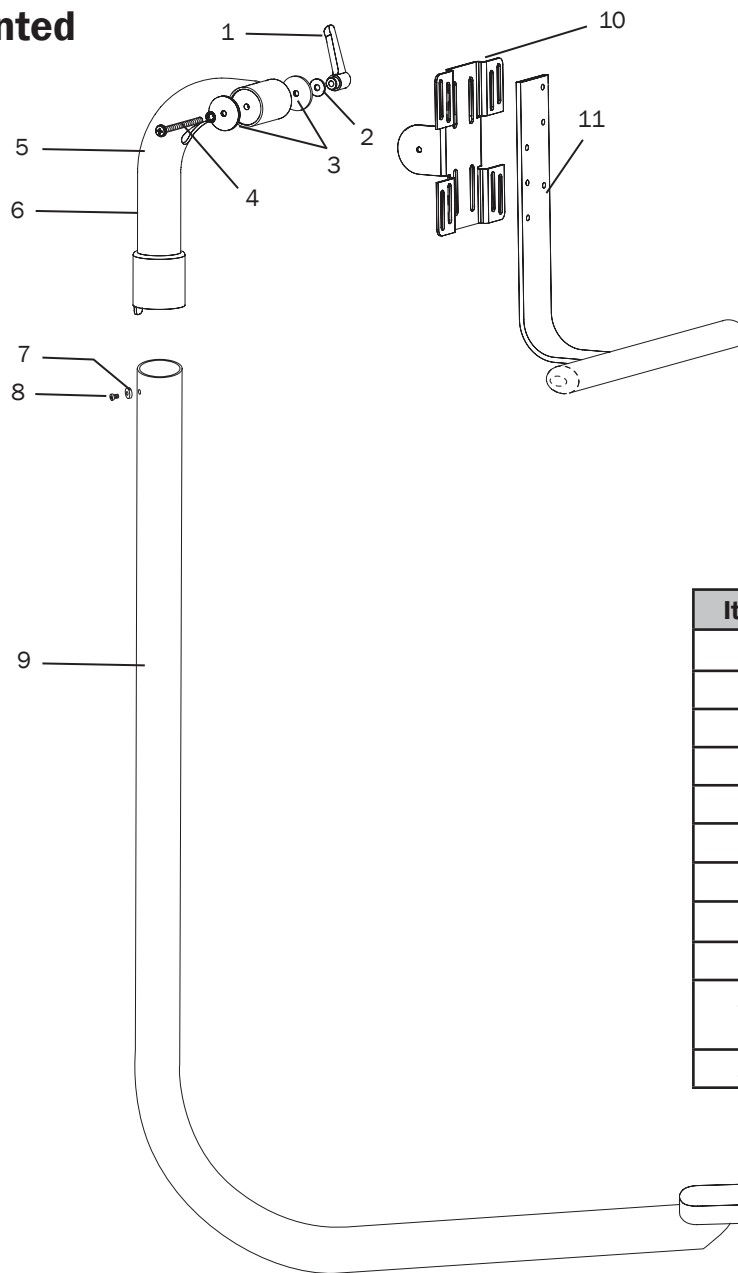
587 Cabinet Track Mounted

page 62

591 Cabinet Track Mounted

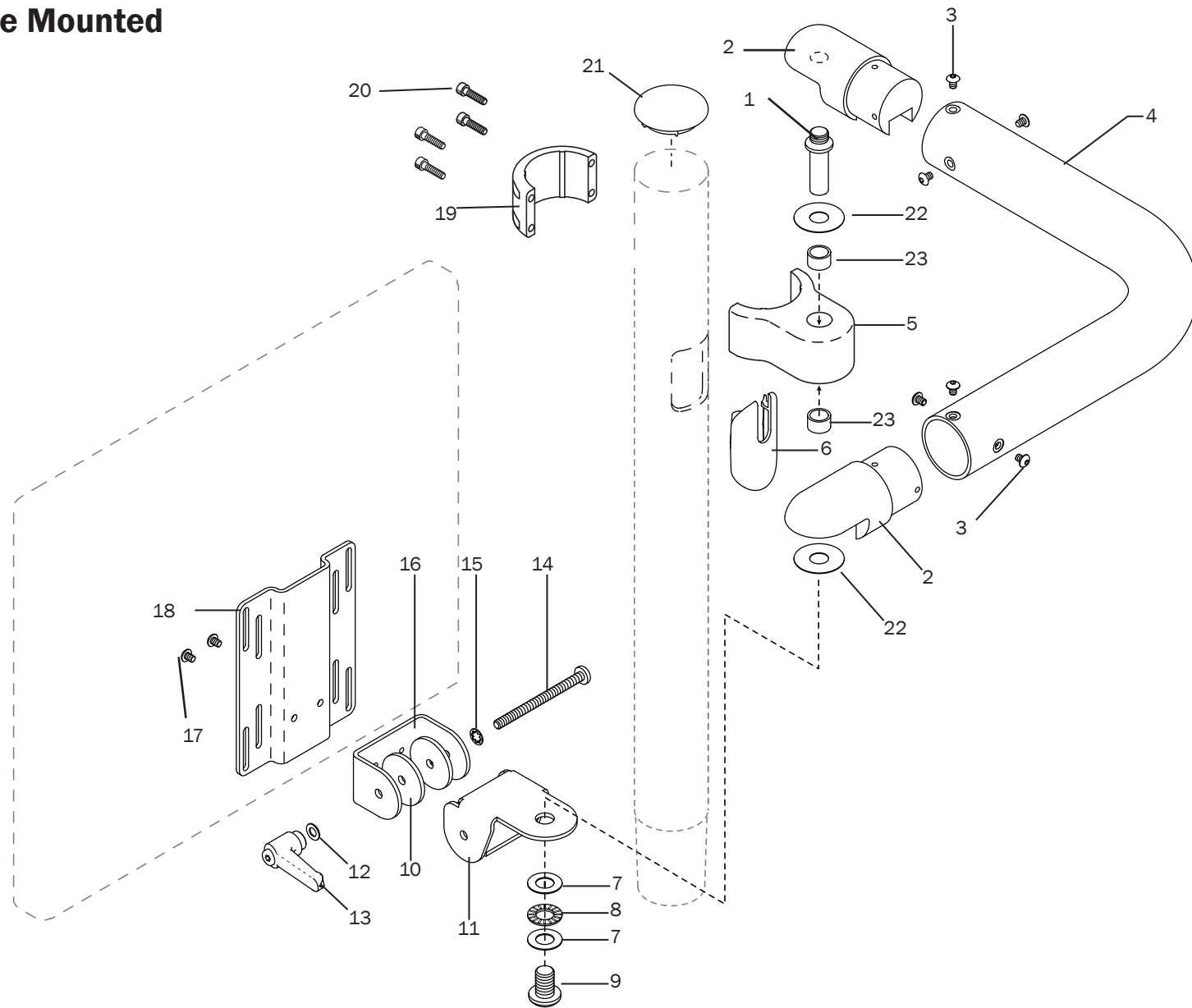
page 66

### 382 Radius Mounted



Item	Part Number	Description
1	025.106.00	Lever
2	004.032.00	Washer, flat, brass, .260 ID
3	40.0084.00	Disc, brake, flexarm
4	004.138.00	Washer, lock, steel zinc, internal tooth 1/4
5	001.234.00	Screw, pan head Phillips, 1/4 - 20 x 3-1/4, SST
6	35.1726.01	Weldment, monitor mount
7	35.1392.00	Spacer, arm stop
8	005.132.00	Screw, low head, socket, 1/4 - 20 x 3/8, steel zinc
9	77.1156.00	Radius arm weldment
10	77.1328.00 77.1328.01	Bracket, Vesa-382, monitor mount, surf Bracket, Vesa-382, monitor mount, white
11	77.1308.00	Handle assembly

### 300 Support Side Mounted



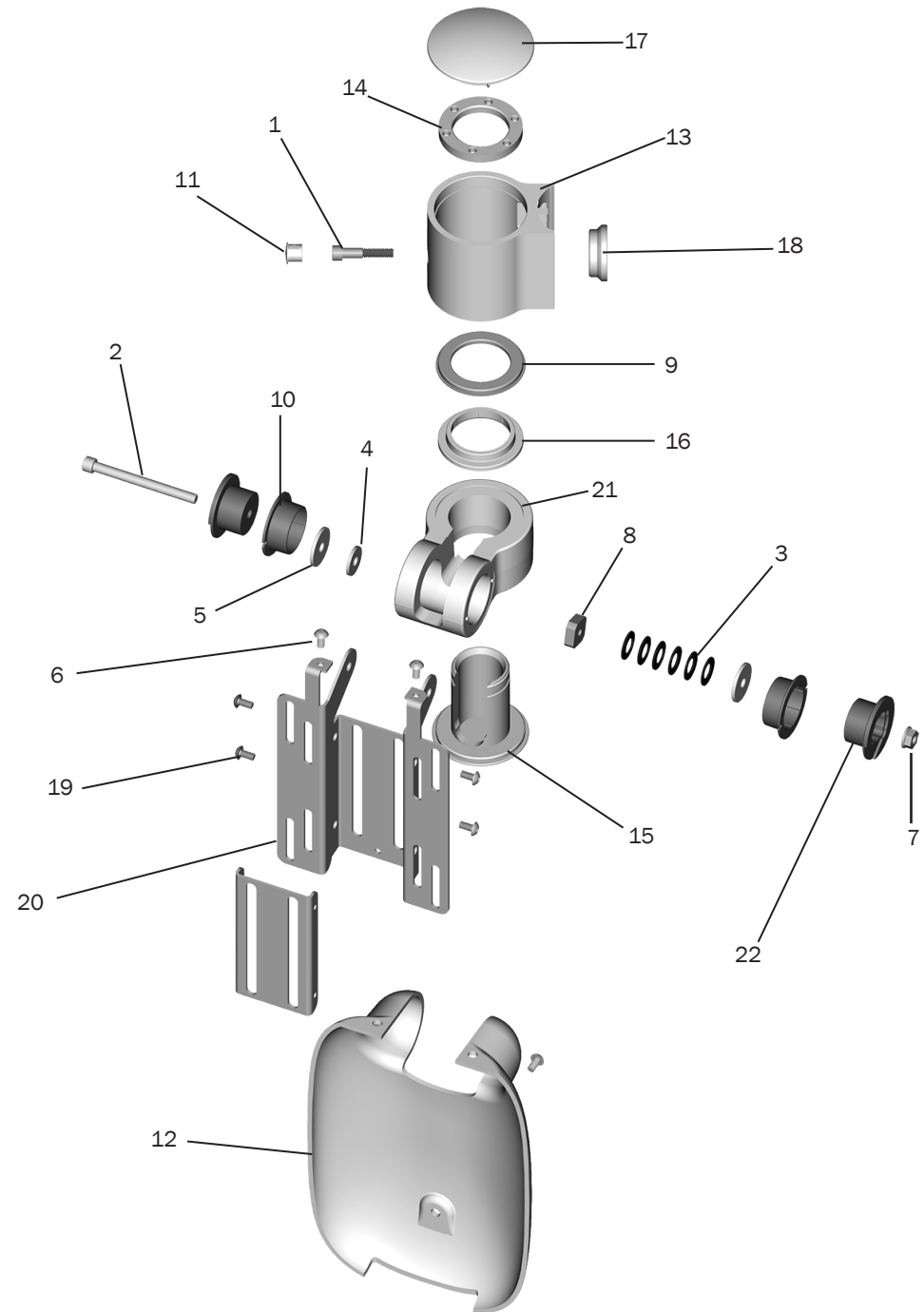
### 300 Support Side Mounted

Item	Part Number	Description
1	77.0965.00	Monitor arm pivot
2	77.0967.00	Monitor tube support
3	002.094.02	Screw, button head socket, 10-32 x 1/4" stainless steel
4	77.0966.00	Monitor tube support
5	77.0961.00	Mount monitor
6	75.2251.00	Internal post plug
7	004.136.00	Washer, thrust bearing, 0.500 ID
8	016.033.00	Bearing, thrust needle, 0.500 ID
9	005.160.00	Screw, button head socket, 1/2-13 x 3/4"
10	40.0084.00	Disc, brake, flexarm
11	77.0968.00	Vesa mounting bracket
12	004.032.00	Washer, flat, brass, .260 ID
13	025.106.00	Adjustment lever
14	001.234.00	Screw, pan head Phillips, 1/4 - 20 x 3-1/4, SST
15	004.138.00	Washer, lock, steel zinc, internal tooth 1/4
16	77.0969.00	Monitor mounting pivot bracket
17	002.094.02	Screw, button head socket, 10-32 x 1/4", stainless steel
18	77.0970.00	Vesa bracket
19	77.0962.00	Monitor mount cap
20	002.073.00	Socket head screw, 10-32 x 3/4"
21	77.0842.00	Cap, 2" post (If a dental light is installed, this part is not used)
22	004.034.00	Flat Nylatron washer
23	016.006.00	Bearing, sleeve, .5015 .ID x .375 long, bronze

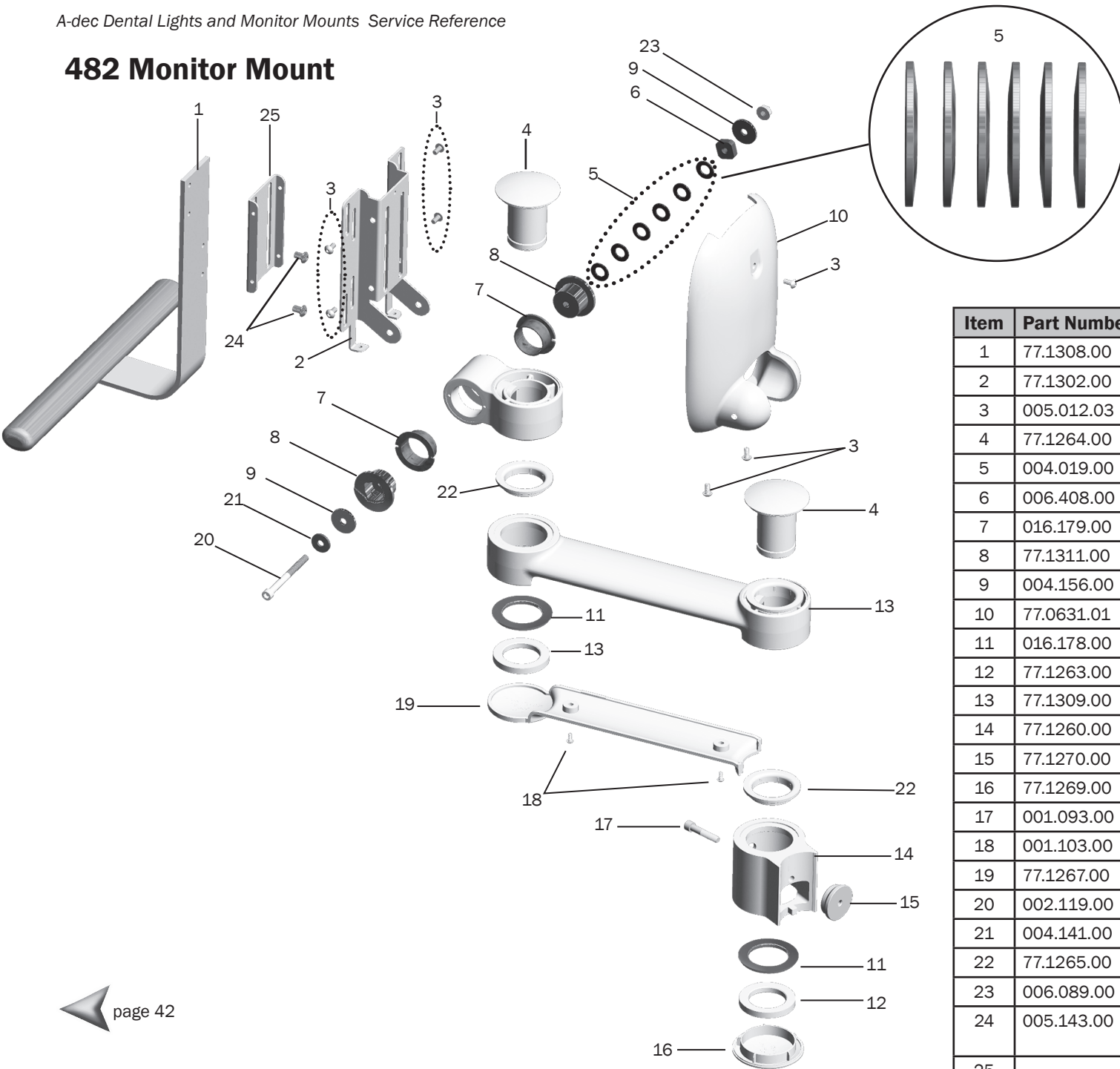
Replacement Kit	Description
90.1214.00	Monitor mount pivot (includes items 1, 2)
77.0960.00	Monitor post mount (includes items 5, 23)

### 381 Monitor Mount

Item	Part Number	Description
1	001.093.00	Screw, socket head, 1/4 - 20 x 1-1/4, SST
2	002.119.00	Screw, socket head, 1/4 - 20 x 2-2/3, SST
3	004.019.00	Washer, spring, SST, .384 ID
4	004.141.00	Washer, flat, steel zinc, .261 ID
5	004.156.00	Washer, flat, aluminum, .261 ID x 1.00 OD x .090
6	005.012.03	Screw, button head socket, 10 - 32 x 3/8, SST
7	006.089.00	Nut, lock, hex, flange, 1/4 - 20, steel zinc
8	006.408.00	Nut, square, special, 1/4 - 20 x .690 x .250, steel zinc
9	016.178.00	Bearing, thrust, 37 mm ID x 56 mm OD x 3.8 MM long, steel
10	016.179.00	Bushing, flang, 1.25 OD x 1.125 ID x 9/16 long
11	018.050.00	Plug
12	77.0631.01 77.0631.00	Cover, monitor mount, white Cover, monitor mount, surf
13	77.1260.00	Post, monitor mount
14	77.1263.00	Nut, spanner
15	77.1264.00	Swivel tube, monitor mount
16	77.1265.00	Bushing, flange, 1.70 OD x 1.45 ID
17	77.1269.00	Cap, post mount, monitor
18	77.1270.00	Clamp, post mount, monitor
19	77.1302.00	Bracket, monitor mount, Vesa
20	77.1303.00	Bracket, handle, monitor mount, Vesa
21	77.1310.00	Support, monitor mount
22	77.1311.00	Bushing, monitor mount

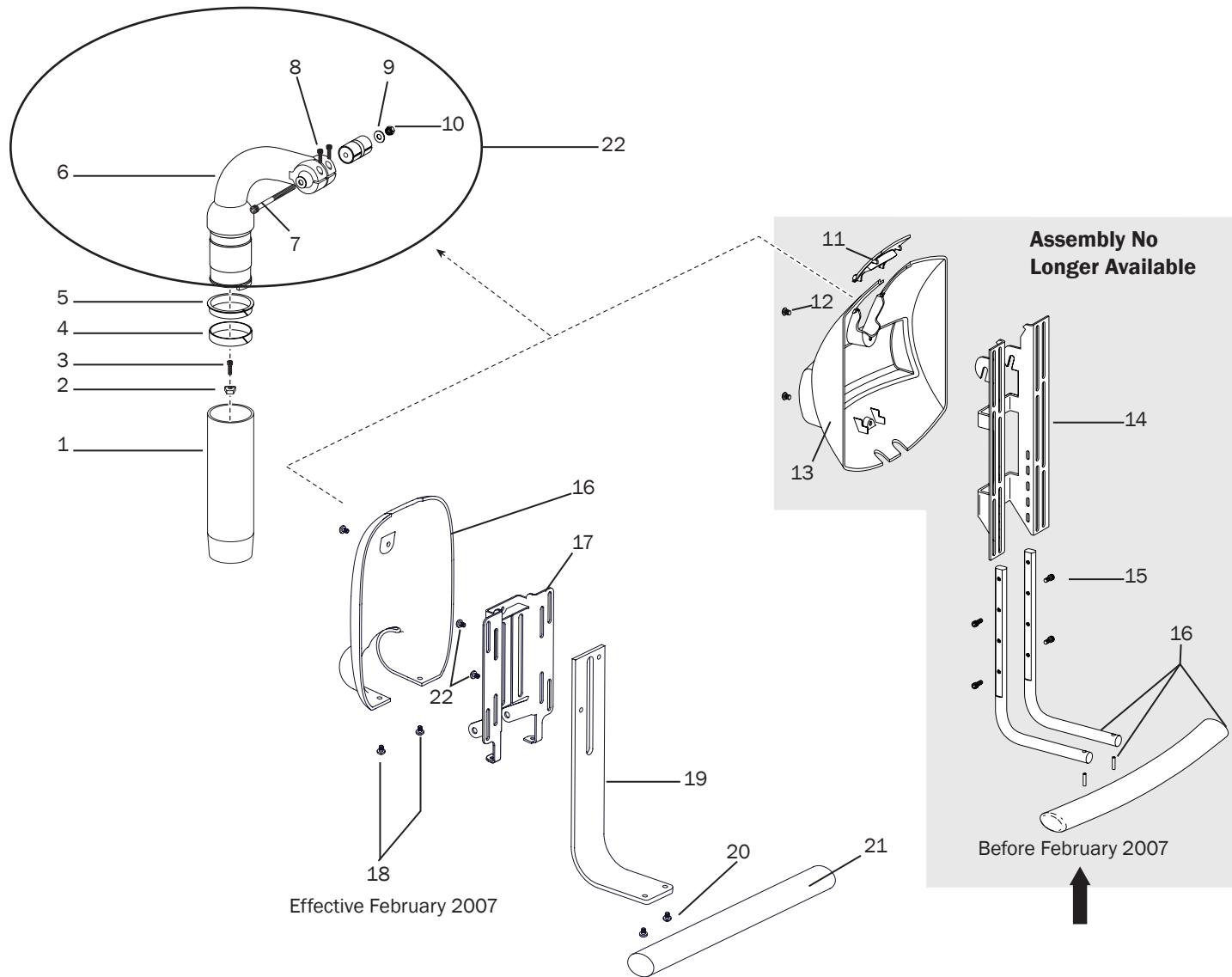


# 482 Monitor Mount



Item	Part Number	Description
1	77.1308.00	Handle assembly, gray 3
2	77.1302.00	Monitor mount bracket
3	005.012.03	Button head socket screw, 10-32 X 3/8
4	77.1264.00	Swivel tube
5	004.019.00	Washer
6	006.408.00	Square special nut, 1/4 - 20
7	016.179.00	Bushing
8	77.1311.00	Bushing
9	004.156.00	Washer
10	77.0631.01	Cover
11	016.178.00	Bearing
12	77.1263.00	Spanner nut
13	77.1309.00	Monitor mount arm
14	77.1260.00	Post mount
15	77.1270.00	Clamp
16	77.1269.00	Cap
17	001.093.00	Socket head screw, 1/4-20 X 1-1/4
18	001.103.00	Button Head Screw, 6-32 X 5/16
19	77.1267.00	Arm cover
20	002.119.00	Socket head screw, 1/4-20 x 2-3/4
21	004.141.00	Washer, flat, steel zinc, .261 ID
22	77.1265.00	Bushing, flanged, 1.70 ODX 1 .45 ID
23	006.089.00	Lock nut
24	005.143.00	Button head socket screw, 1/4-20 x 3/8" patch, stainless steel
25		

# 531 Front Mounted



**NOTE:** This assembly is no longer available. Some individual pieces may be replaceable. However, if the cover requires replacement the assembly will need to be upgraded with the later design handle assembly.

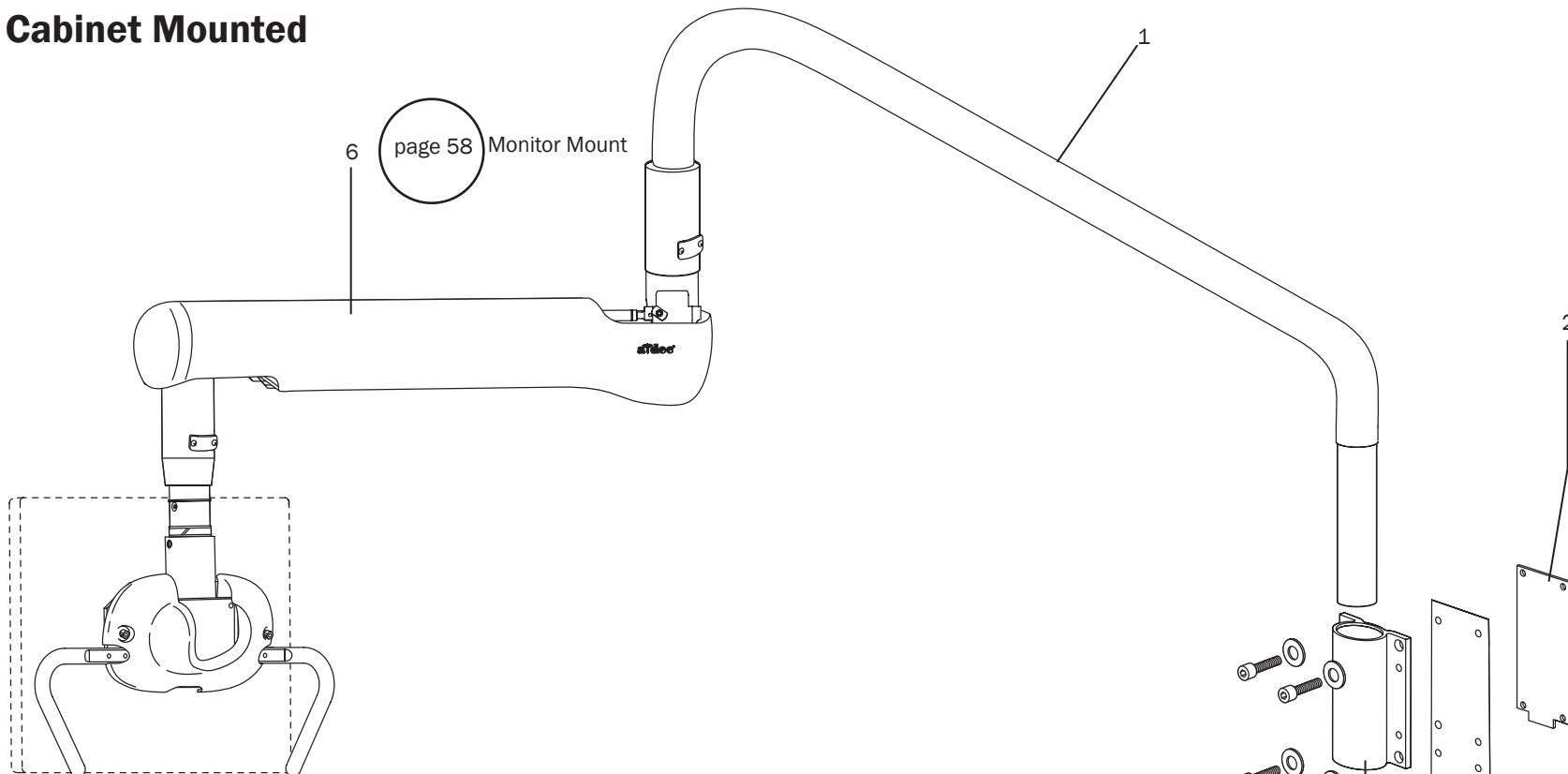


**531 Front Mounted**

Item	Part Number	Description
1	77.0259.01 OBS 77.0259.00 OBS	Extension bar, adapter, white Extension bar, adapter, surf
2	77.0300.00	Rotation limiter
3	001.088.00	Screw, rotation stop, 10-32 x 5/8" stainless steel
4	77.0103.00	Lower bearing
5	77.0102.01 77.0102.00	Upper bearing, white Upper bearing, surf
6	77.0114.02 77.0114.01	Support arm, monitor mount, white Support arm, monitor mount, surf
7	002.119.00	Screw, socket head, 1/4-20 x 2-3/4" stainless steel
8	001.088.00	Screw, socket head, 10-32 x 5/8" stainless steel
9	004.141.00	Washer, flat, steel zinc, .261 ID
10	006.052.00	Locking nut, 1/4-20 x 7/16" x 5/16"
11	77.0213.00 OBS	Small cover, surf 4
12	002.094.02	Screw, button head, 10-32 x 1/4" stainless steel
13	77.0026.00 OBS	Monitor mount cover (before February 2007)
14	77.0112.00 OBS	Mounting bracket (before February 2007)
15	002.130.00	Screw, socket head, 10-32 x 3/8"
16	77.0631.01 77.0631.00	Monitor mount cover, gray Monitor mount cover, surf
17	77.0653.00	Mounting bracket, no power supply
18	005.012.03	Screw, socket head, 10-32 x 3/8" stainless steel
19	77.0629.01 77.0629.00	Handle arm, gray Handle arm, surf
20	005.143.00	Screw, 1/4 20 x 3/8", button head
21	77.0630.01 77.0630.00	Handle, straight, gray Handle, straight, surf
22	77.0848.01 77.0848.00	Arm and clutch assembly, white (includes items 6 - 10) Arm and clutch assembly, surf (includes items 6 - 10)

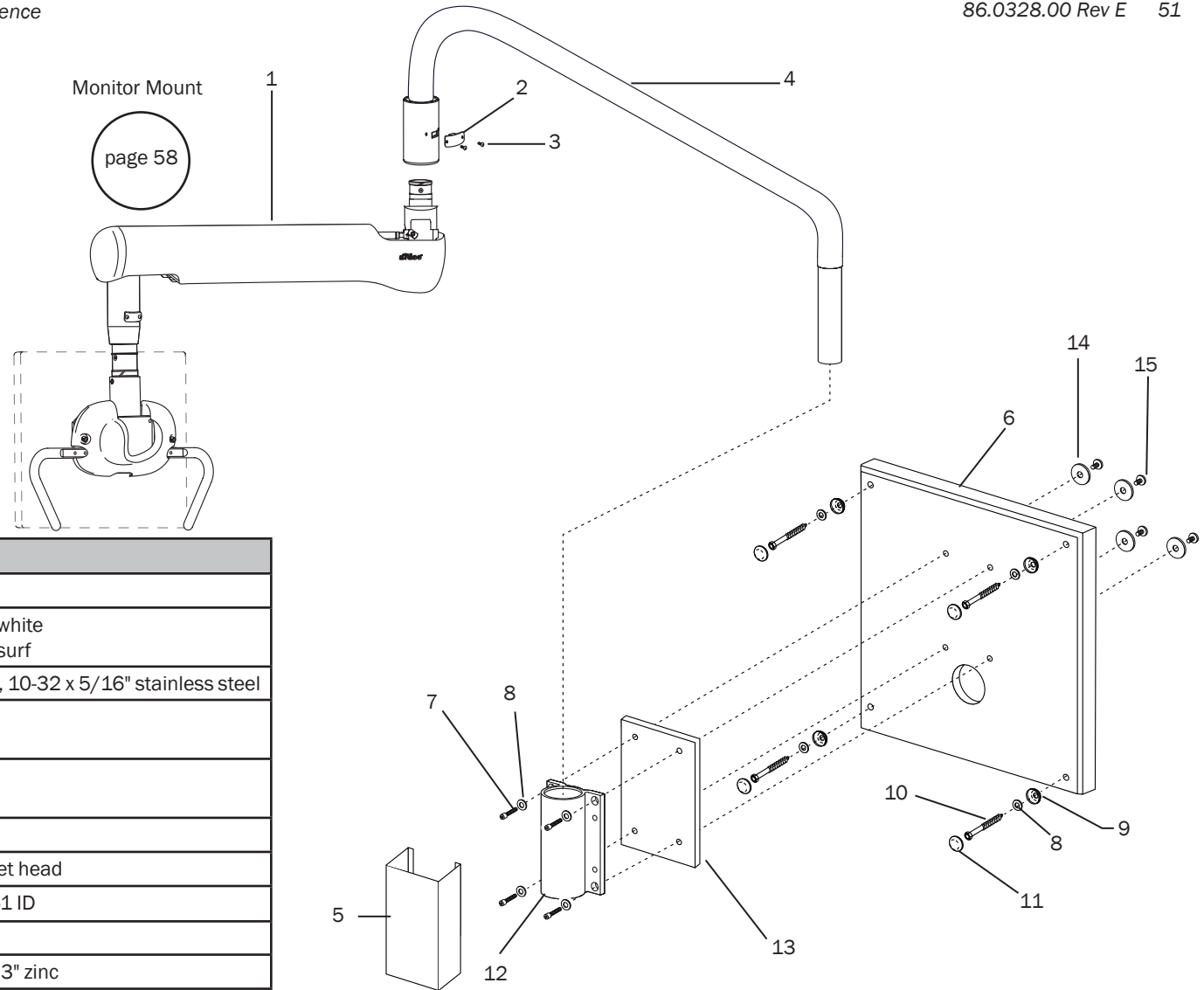
**OBS** Indicates that the individual part is obsolete.

# 584 Cabinet Mounted



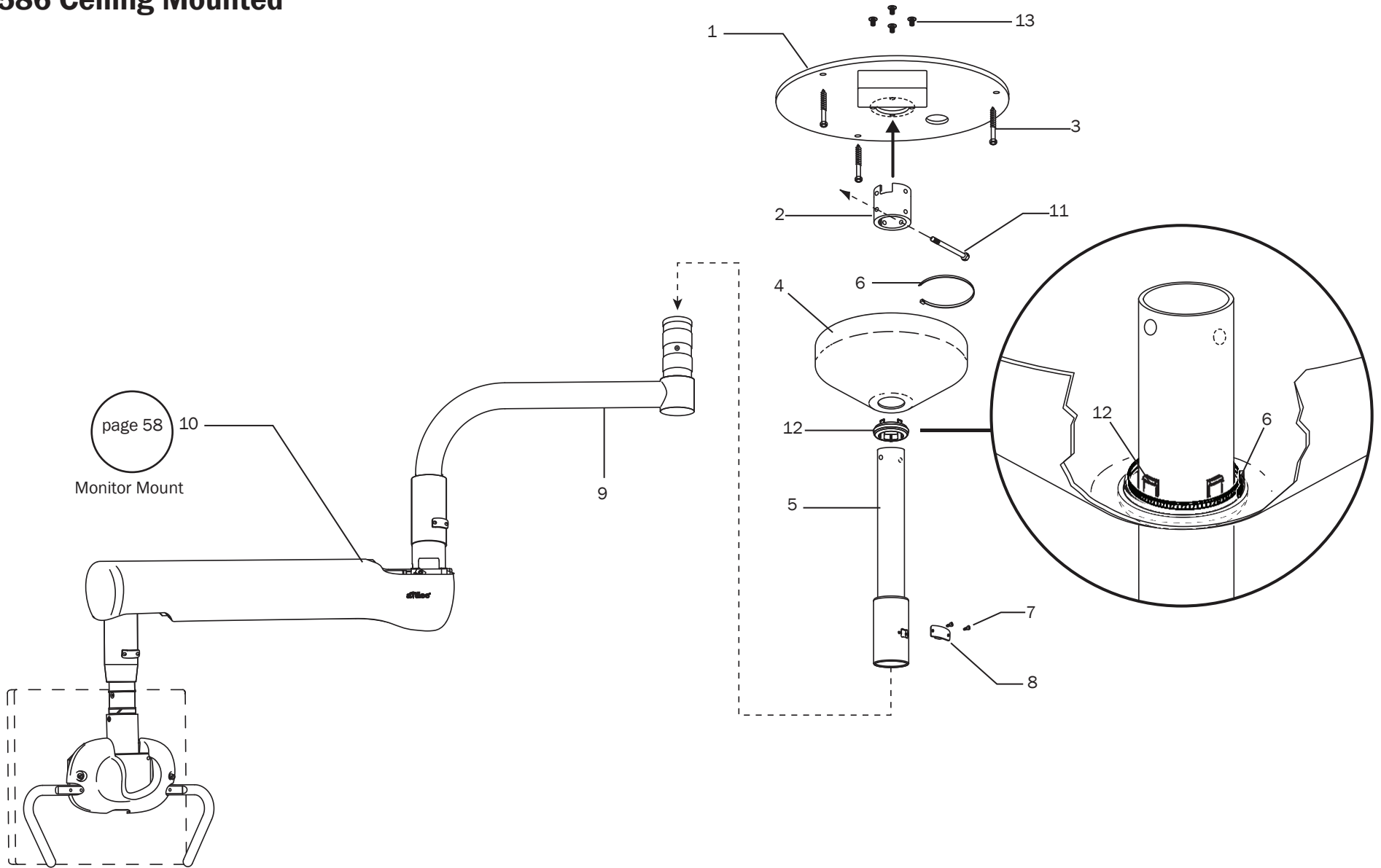
Item	Part Number	Description
1	77.0656.01 77.0656.00	Rigid arm, large, white Rigid arm, large, surf
2	77.0765.00	Back plate
3	77.0839.00	Arm mount
4	004.141.00	Washer, flat, steel zinc, .261 ID
5	001.093.00	Screw, 1/4-20 x 1-1/4" socket head, stainless steel
6	n/a	Monitor mount assembly

# 585 Wall Mounted



Item	Part Number	Description
1	n/a	Monitor mount assembly
2	77.0660.02 77.0660.01	Monitor mount stop puck, white Monitor mount stop puck, surf
3	005.138.00	Screw, button head socket, 10-32 x 5/16" stainless steel
4	77.0656.01 77.0656.00	Rigid arm, large, white Rigid arm, large, surf
5	77.0651.01 77.0651.00	Mount cover, white Mount cover, surf
6	77.0649.00	Wall mount board
7	002.080.01	Screw, 1/4-20 x 3/4" socket head
8	004.141.00	Washer, flat, steel zinc, .261 ID
9	004.131.00	Lag bolt cap flange washer
10	003.065.00	Screw, hex head lag, 1/4 x 3" zinc
11	028.022.00	Cap, bold head
12	77.0839.00	Mount assembly
13	77.0650.00	Back plate
14	004.051.00	Washer, .328 ID
15	005.146.00	Bolt 1/4 -20 x 30 mm

# 586 Ceiling Mounted



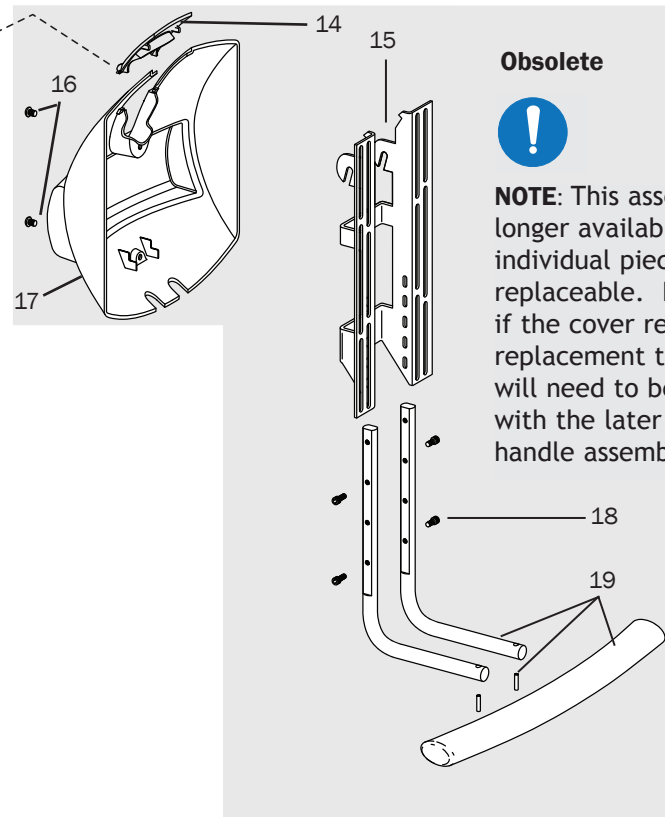
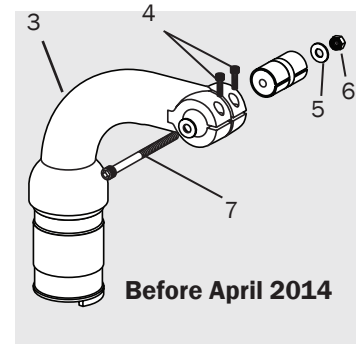
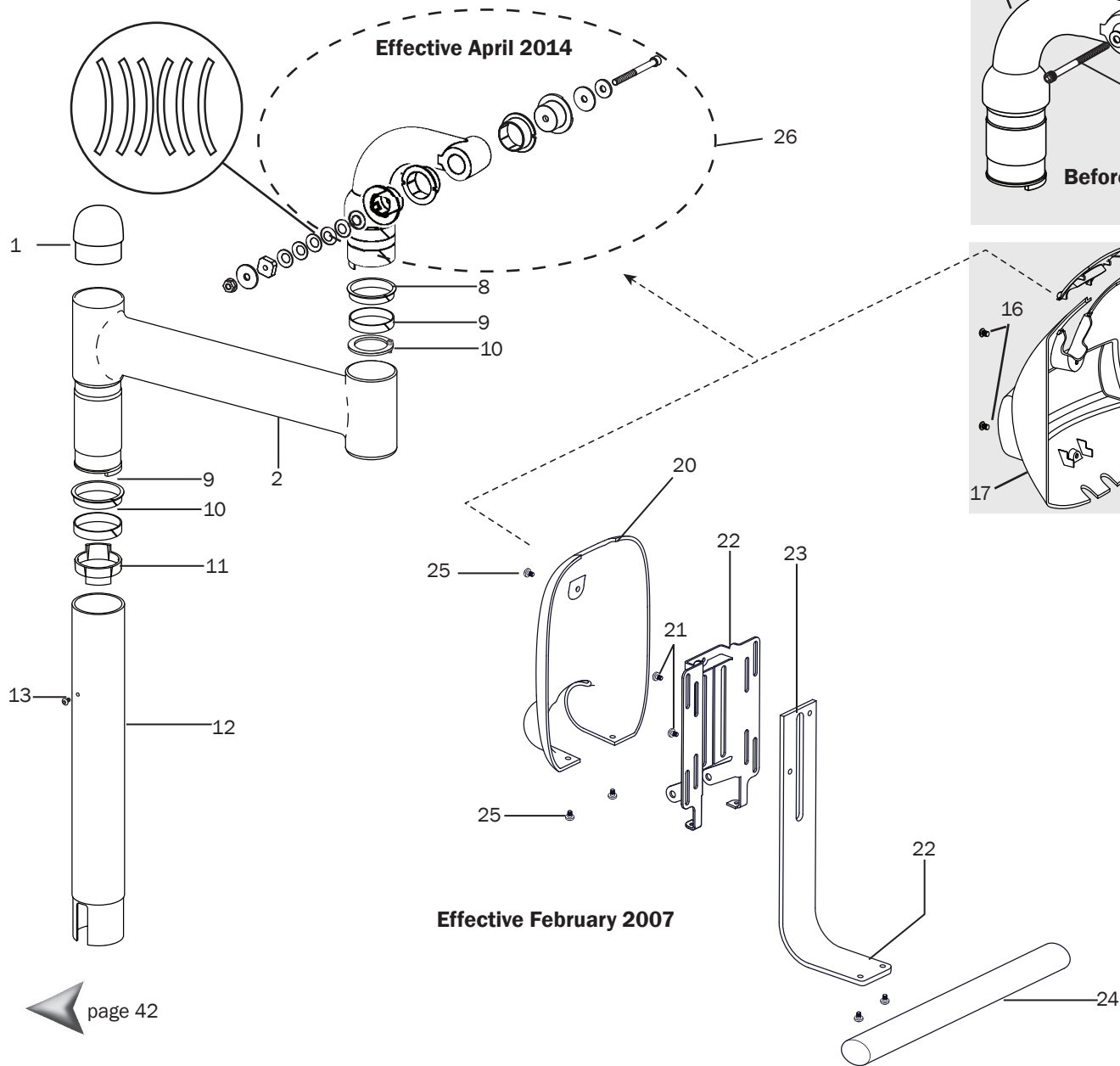
page 58

Monitor Mount

## 586 Ceiling Mounted

Item	Part Number	Description
1	28.0573.00	Monitor mount ceiling plate
2	28.0572.00	Collar
3	003.065.00	Lag screw, hex head, 1/4 x 3" zinc
4	77.0717.01 77.0717.00	Ceiling cover, White Ceiling cover, Surf
5	77.1203.00 77.1203.01 77.1203.02 77.1203.03  77.1204.00 77.1204.01 77.1204.02 77.1204.03	Ceiling post, white - 9 ft Ceiling post, white - 9.5 ft Ceiling post, white - 10 ft Ceiling post, white - 10.5 ft  Ceiling post, surf - 9 ft Ceiling post, surf - 9.5 ft Ceiling post, surf - 10 ft Ceiling post, surf - 10.5 ft
6	025.003.00	Cable ties (2)
7	005.138.00	Screw, button head socket, 10-32 x 5/16", stainless steel
8	77.0660.02 77.0660.01	Monitor mount stop puck, white Monitor mount stop puck, surf
9	77.0664.01 77.0664.00	Rigid arm, white Rigid arm, surf
10	n/a	Monitor mount assembly
11	001.128.00	Hex head screw, 1/4-20 x 2-3/4"
12	77.0780.00 77.0780.01	Retainer ceiling cover, surf Retainer ceiling cover, white
13	002.085.00	1/4-20 X 1/2" Flat head socket screw

# 581 Support Side Mounted (Formerly Model 561)



**Obsolete**



**NOTE:** This assembly is no longer available. Some individual pieces may be replaceable. However, if the cover requires replacement the assembly will need to be upgraded with the later design handle assembly.

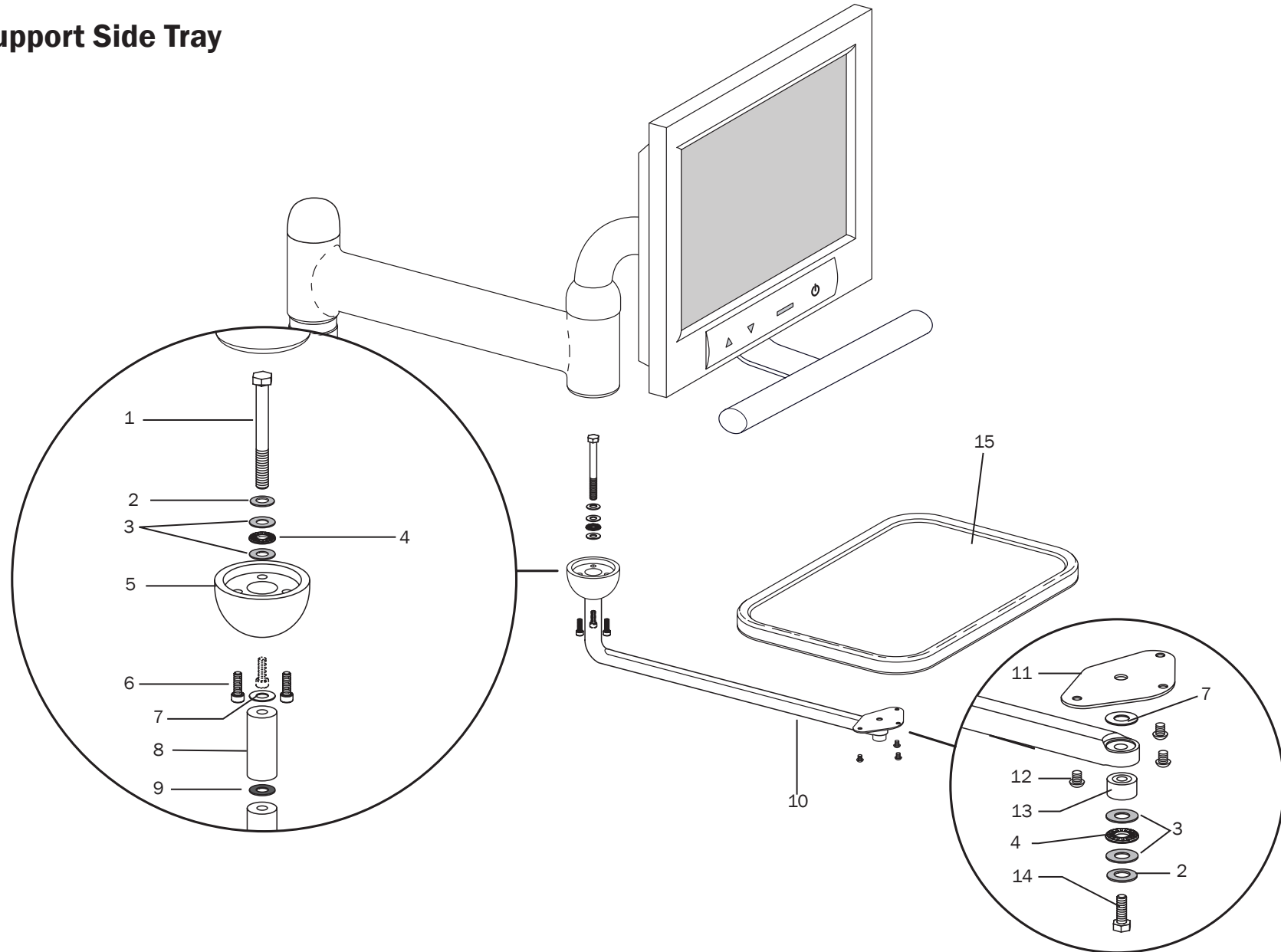
**581 Support Side Mounted (formerly 561 Monitor Mount)**

Item	Part Number	Description
1	28.1501.01 28.1501.00	Cap, white Cap, surf
2	77.0117.02 77.0117.01	Rigid arm, white Rigid arm, surf
3	77.0114.02 77.0114.01	Support arm, white Support arm, surf
4	001.088.00	Screw, adjustment 10-32 x 5/8", stainless steel
5	004.141.00	Washer, flat, steel zinc, .261 ID
6	006.052.00	Locking nut, 1/4-20 x 7/16" x 5/16"
7	002.119.00	Screw, socket head, 1/4-20 x 2-3/4" stainless steel
8	77.0102.01 77.0102.00	Bearing, upper, white Bearing, upper, surf
9	77.0103.00	Bearing, lower
10	77.0652.00	Rotation stop, support arm
11	77.0201.00	Rotation stop, monitor mount
12	77.0199.01 77.0199.00	Monitor post, white Monitor post, surf

OBS Indicates that the part is obsolete.

Item	Part Number	Description
13	002.130.00	Screw, 10-32 x 3/8"
14	77.0213.00 OBS	Small cover, surf 4 (before February 2007)
15	77.0112.00 OBS	Mounting bracket
16	002.094.02	Screw 10-32 x 1/4", stainless steel
17	77.0026.00 OBS	Monitor mount cover (before February 2007)
18	002.130.00	Screw, socket head, 10-32 x 3/8"
19	77.0498.00 OBS	Handle bracket kit (before February 2007)
20	77.0631.01 77.0631.00	Monitor mount cover, white Monitor mount cover, surf
21	005.143.00	Screws 1/4 20 x 3/8"
22	77.0653.00	Mounting bracket, no power supply
23	77.0629.01 77.0629.00	Handle arm, gray Handle arm, surf
24	77.0630.01 77.0630.00	Handle, straight, gray Handle, straight, surf
25	005.012.03	Screw, button head, 10-32 x 3/8" stainless steel
27	77.0848.01 77.0848.00	Arm and clutch assembly, white (includes 3 - 7) Arm and clutch assembly, surf (includes 3 - 7)

# 581 Support Side Tray

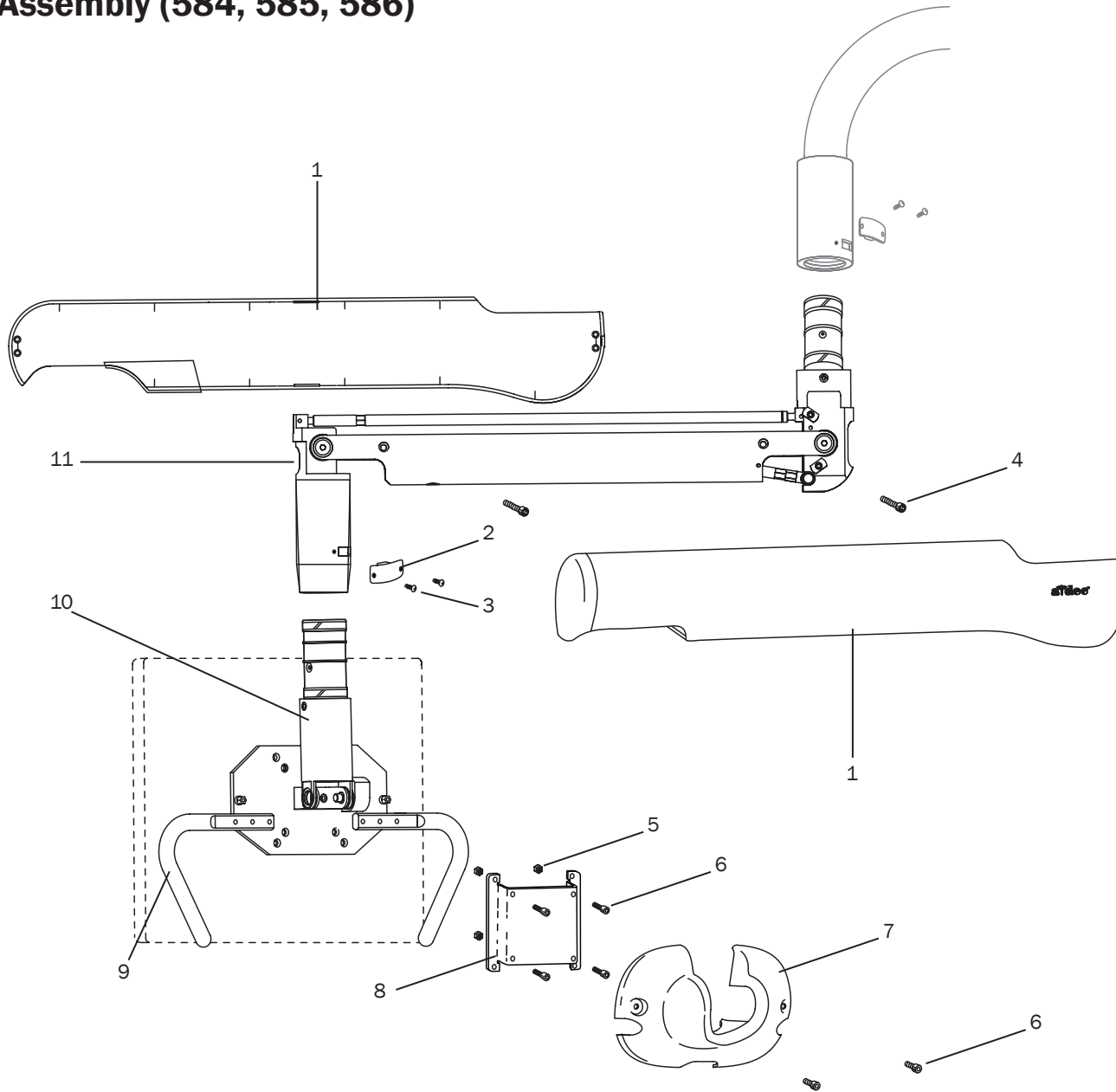




**581 Support Side Tray, Standard and Large**

Item	Part Number	Description
1	005.157.00	Screw, 3/8-16 x 4"
2	004.019.00	Washer, spring 0.384 ID
3	004.172.00	Washer, thrust 0.375 ID
4	016.102.00	Thrust bearing, 0.375 ID
5	77.0365.01 77.0365.00	Hub, white Hub, surf
6	002.112.00	Screw, 10-32 x 7/8"
7	004.242.00	Washer, flat 0.387 ID
8	77.0197.01 77.0197.00	Extender arm, .387 ID, white Extender arm, .387 ID, surf
9	004.021.00	Washer, flat, fiber 0.375 ID
10	77.0189.01 77.0189.00	Arm, tray holder, white Arm, tray holder, surf
11	77.0190.01 77.0190.00	Bracket, white Bracket, surf
12	005.012.03	Screw, 10-32 x 3/8", stainless steel
13	77.0198.01 77.0198.00	Cover, white Cover, surf
14	002.023.01	Screw hex head, 3/8 - 1 x 1/4 Hex HD screw
15	75.0350.01 75.0351.00 75.0351.01	Standard tray holder, white (includes items 1 - 15) Large tray holder, surf (includes items 1 - 15) Large tray holder, white (includes items 1 - 15)

## Monitor Mount Assembly (584, 585, 586)



▶ Cabinet Mount  
page 50


▶ Ceiling Mount  
page 52


▶ Wall Mount  
page 51


▶ Monitor Mounts  
page 42

**Monitor Mount (584, 585, 586)**

Item	Part Number	Description
1	77.0856.01 77.0856.00	Flexarm covers (both sides), white Flexarm covers (both sides), surf
2	77.0660.02 77.0660.01	Joint retainer, white Joint retainer, surf
3	005.138.00	Button head screw, 10-32 x 5/16 stainless steel
4	001.130.01	Button head socket screw, 1/4 -20 x 1/2"
5	006.022.00	Nut, hex, special, 10 32 x 5/16 x 7/64, stainless steel
6	002.130.00	Recess adaptor screw, 10-32 x 3/8
7	77.0763.01 77.0763.00	Monitor bracket cover, white Monitor bracket cover, surf
8	77.0113.00	Vesa recess adaptor
9	77.0679.01 77.0679.00	Handle, gray Handle, surf
10	n/a	Monitor rotation assembly
11	77.0837.01 77.0837.00	Flexarm assembly, white Flexarm assembly, surf

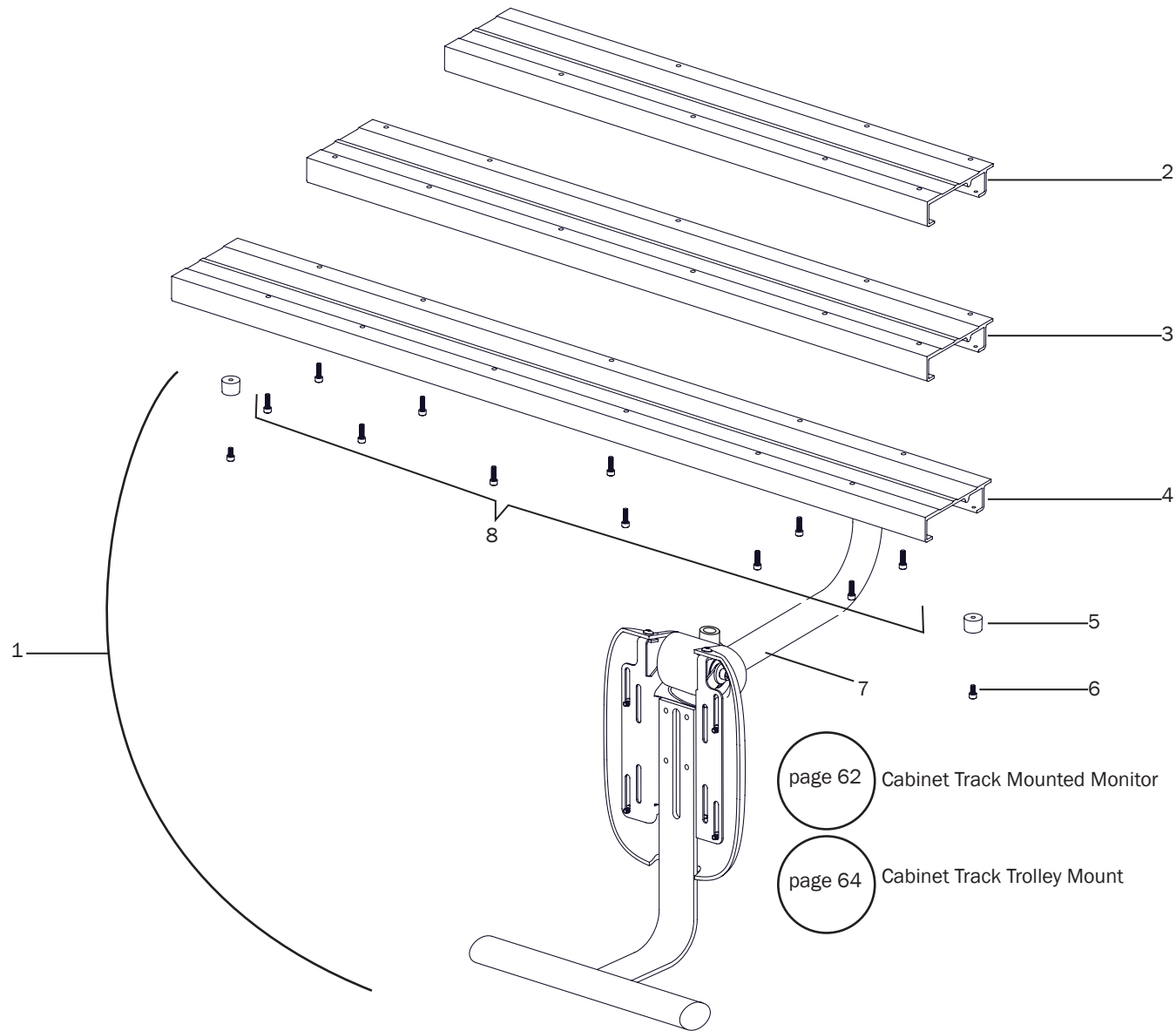
 Cabinet Mount  
page 50

 Ceiling Mount  
page 52

 Wall Mount  
page 51

 Monitor Mounts  
page 42

# 587 Cabinet Track Monitor Mount



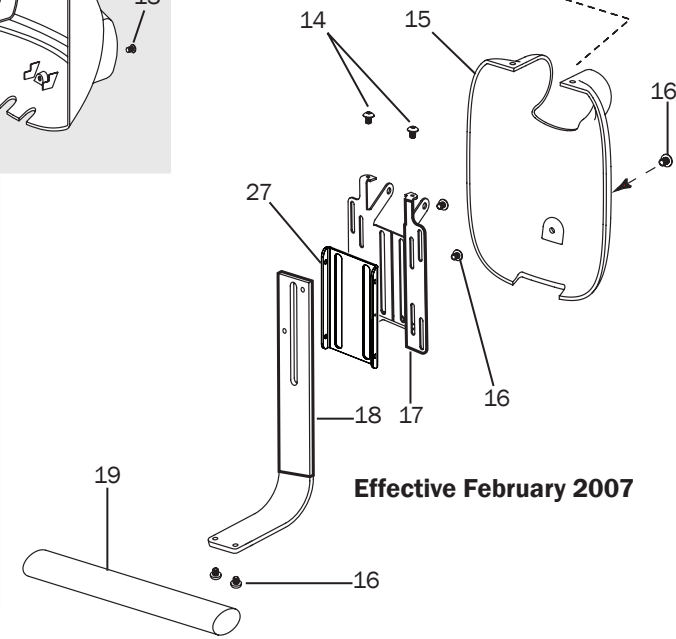
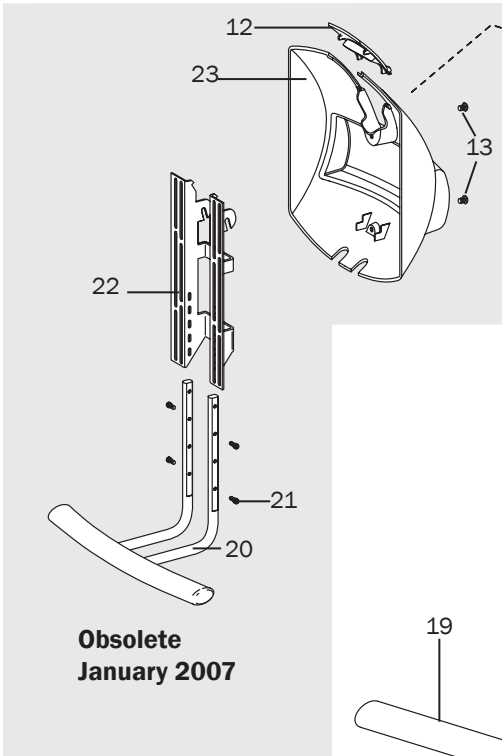
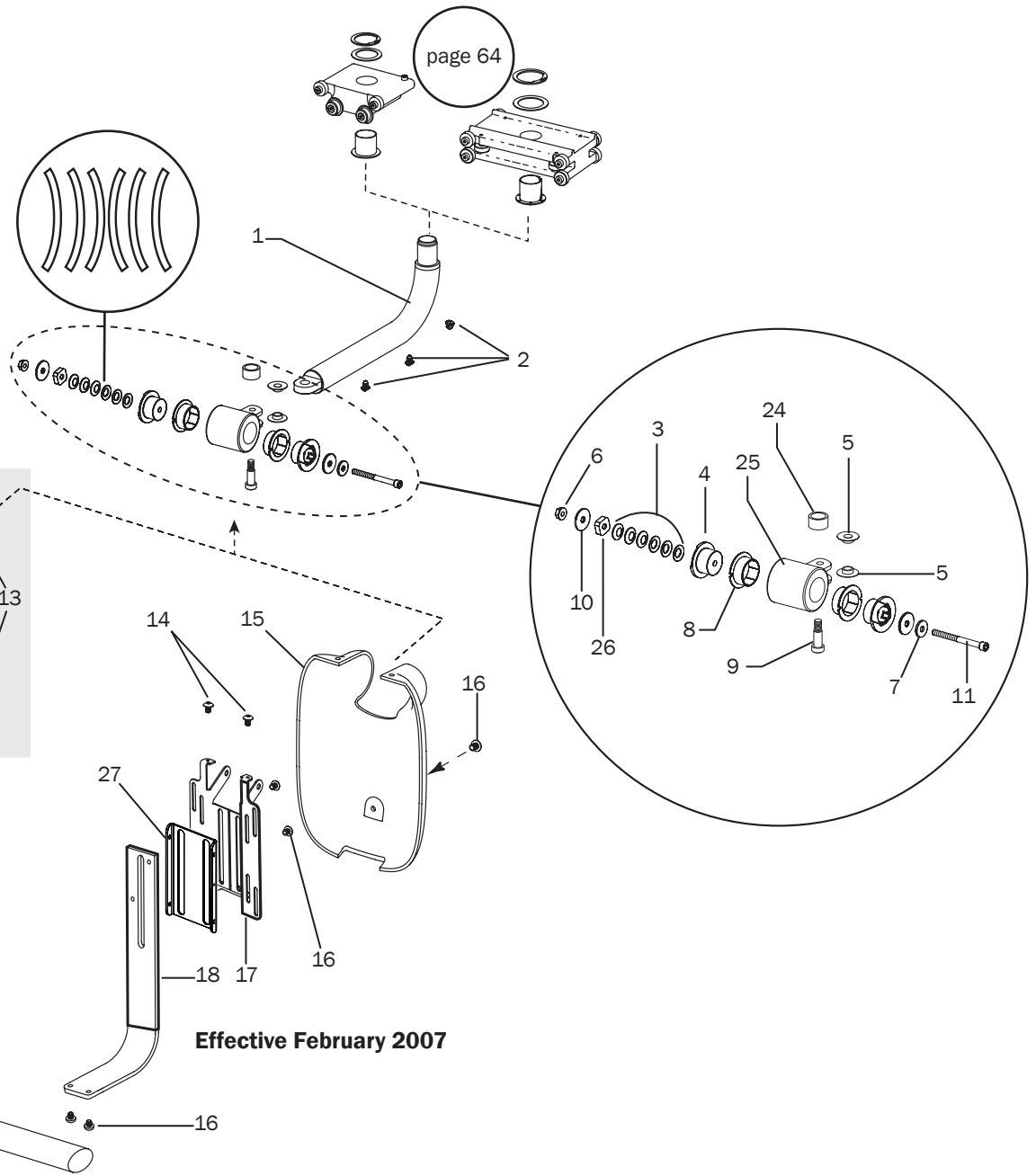
## 587 Cabinet Track Monitor Mount

Item	Part Number	Description
1	77.0544.xx * 77.0545.xx * 77.0546.xx *	Monitor mount track assembly 40" (1016 mm) (includes items 5, 6, 7, and 8) Monitor mount track assembly, 32-1/2" (825.5 mm) (includes items 5, 6, 7, and 8) Monitor mount track assembly, 25" (635 mm) (includes items 5, 6, 7, and 8)
2	77.0438.02	Track, monitor mount, 25" (635 mm) (replaces 77.0546.00)
3	77.0438.01	Track, monitor mount, 32-1/2" (825.5 mm) (replaces 77.0545.00)
4	77.0438.00	Track, monitor mount, 40" (1016 mm) (replaces 77.0544.00)
5	042.644.00	Bumper
6	003.011.01	Screw, pan head 10 x 1-1/4", package of 5
7	n/a	Monitor support arm assembly
8	001.088.00	Screw, socket head, 10-32 x 5/8", stainless steel

\* Contact Customer Service for replacement

# Cabinet Track Mounted Monitor (587)

**NOTE:** This assembly requires replacement. Some individual parts may be replaceable. However, if the cover requires replacement the assembly needs to be replaced with the later design assembly.



### Cabinet Track Mounted Monitor (587)

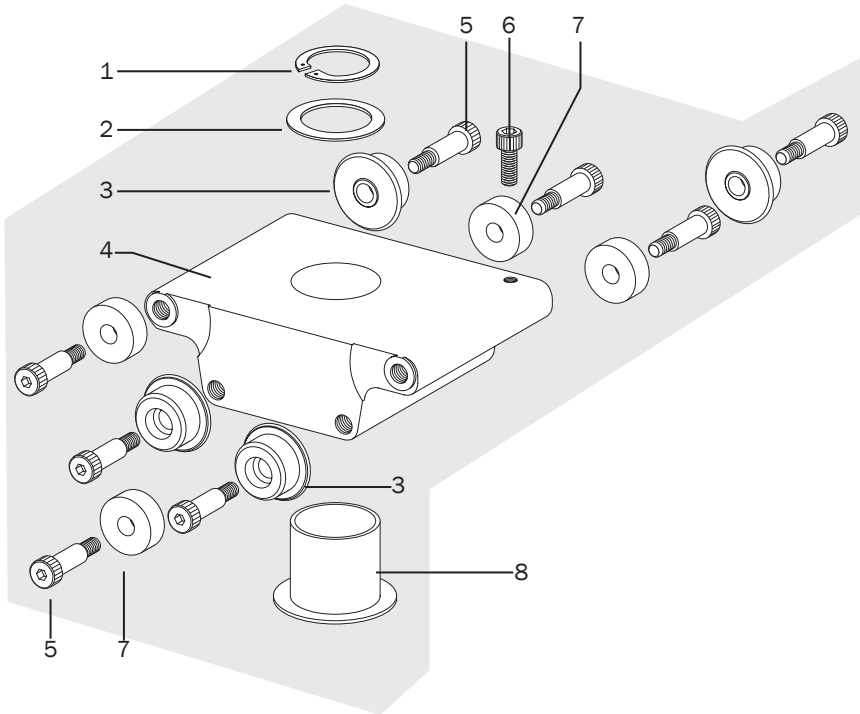
Item	Part Number	Description
1	56.1005.00	Monitor support arm assembly
2	025.081.00	Holder, flat tie
3	004.019.00	Spring washer
4	77.1311.00	Friction adjustment bushing
5	77.0459.00	Bushing, flanged
6	006.089.00	Lock nut, 1/4-20 x 7/16" x 5/16"
7	004.141.00	Washer, flat, steel zinc, .261 ID
8	016.179.00	Bushing
9	001.145.01	Screw, socket shoulder, 5/16-18 x 3/8 x 3/4
10	004.156.00	Washer
11	002.119.00	Screw, socket head 1/4-20 x 2-3/4"
12	77.0213.00 OBS	Small cover, surf 4 (before February 2007)
13	002.094.02	Screw, button head socket, 10-32 x 1/4", stainless steel
14	005.012.03	Screw, socket head 10-32 x 3/8", stainless steel
15	77.0631.01 77.0631.00	Monitor mount cover, white (effective February 2007) Monitor mount cover, surf (effective February 2007)

Item	Part Number	Description
16	005.143.00	Screw 1/4 20 x 3/8" (after February 2007)
17	77.0653.00	Vesa bracket, no power supply (effective February 2007)
18	77.0629.01 77.0629.00	New handle arm, gray (effective February 2007) New handle arm, surf (effective February 2007)
19	77.0630.01 77.0630.00	Handle arm, straight, gray (effective February 2007) Handle arm, straight, surf (effective February 2007)
20	77.0498.00 OBS	Handle bracket kit (before February 2007)
21	002.130.00	Screw, socket head, 10-32 x 3/8"
22	77.0112.00 OBS	Mounting bracket (before February 2007)
23	77.0026.00 OBS	Monitor mount cover (before February 2007)
24	77.1236.00	Bumper
25	77.1230.01 77.1230.02	Hub, white Hub, surf
26	006.408.00	Square special nut
27	77.1303.00	Vesa monitor mount handle bracket

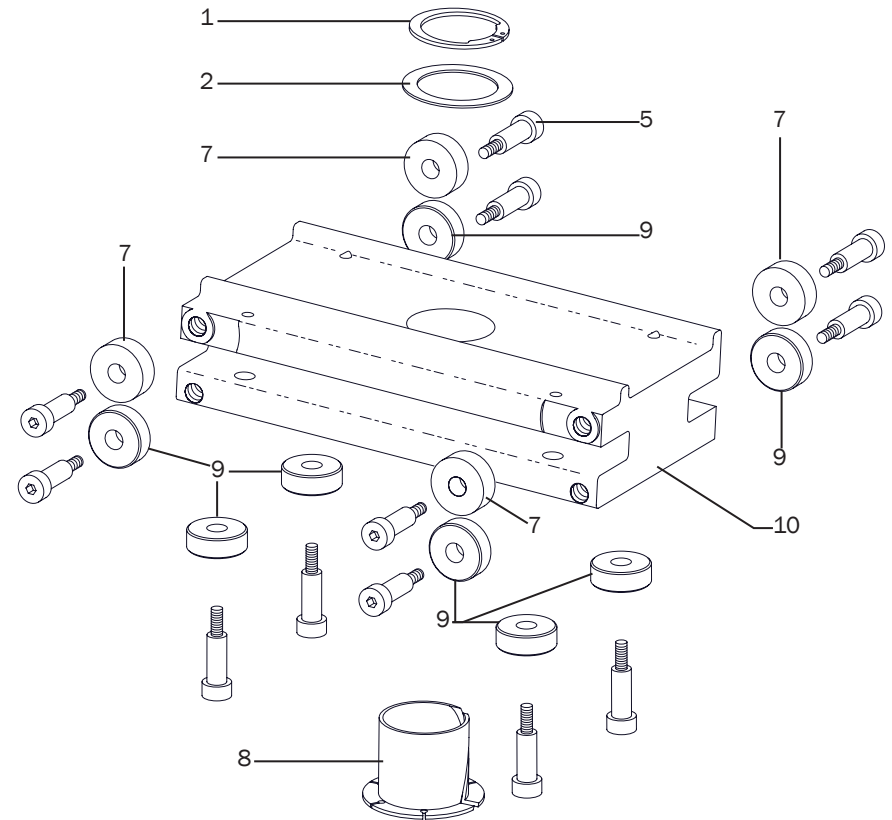
**OBS** Indicates that the individual part is obsolete. Replace with 77.0631.01/77.0631.00, item 15)

# Cabinet Track Trolley Mount (587)

Before February 2007



Effective February 2007




**NOTE:** This assembly can retrofit to earlier product.



## Cabinet Track Trolley Mount (587)

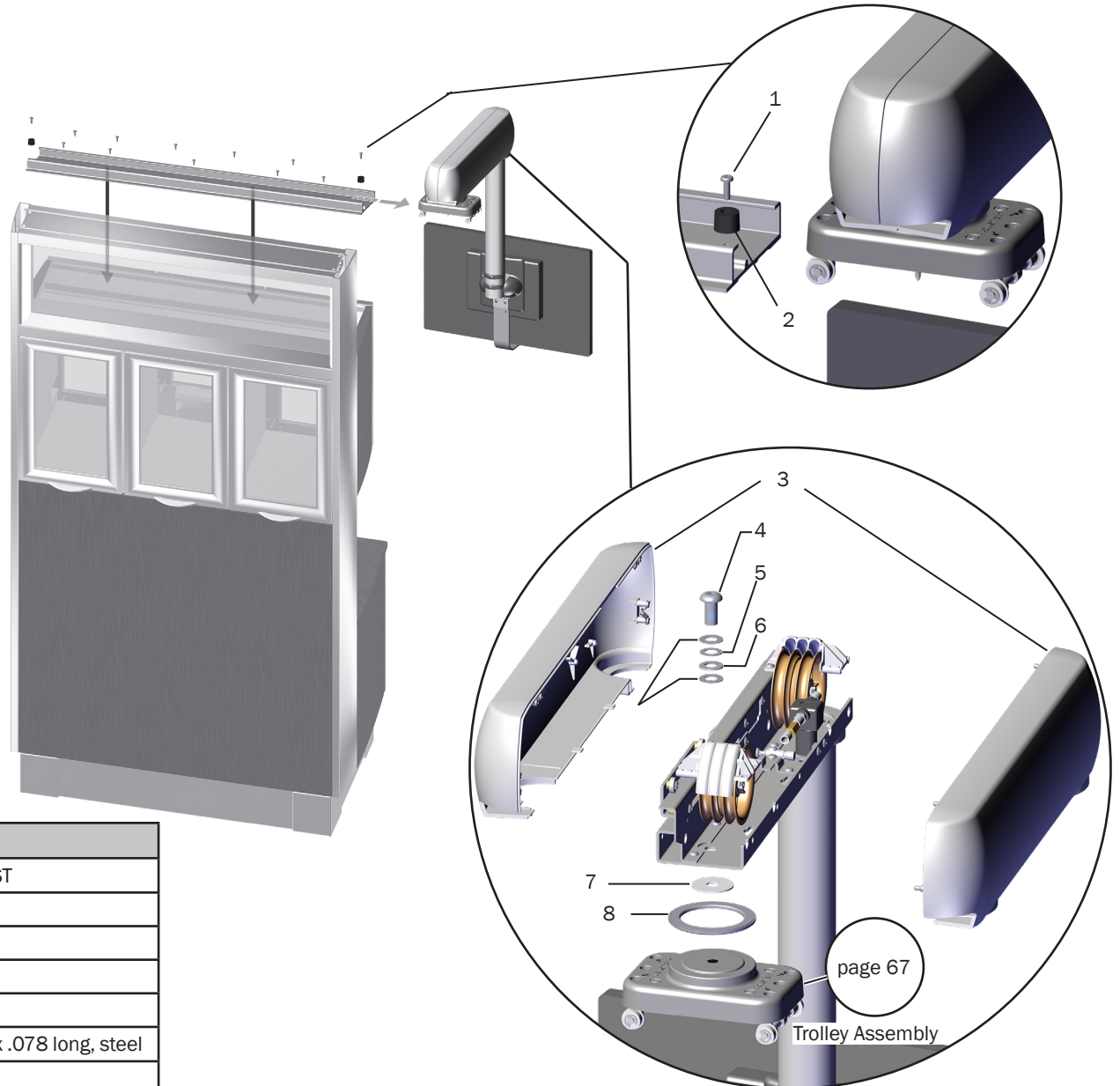
Item	Part Number	Description
1	010.012.00	Retaining ring, external
2	004.207.00	Washer, flat, 1.00 x 1.362 x .03, stainless steel
3	77.0457.00 OBS	Caster, monitor trolley
4	77.0437.00 OBS	Carrier, monitor trolley
5	001.138.00	Screw, socket shoulder, 10-24 x 1/4" x 5/8"
6	002.135.00	Screw, socket head 10-32 x 1/2", stainless steel
7	016.061.00	Ball bearing, .250 ID x .281 LG
8	77.0458.00	Bushing, flanged, 1.00 OD x 1.00 LG
9	56.1081.00	Caster, monitor trolley
10	56.1082.00	Carrier, trolley

**OBS** Indicates that the individual part is obsolete.

 587 Cabinet Track Monitor Mount  
page 60

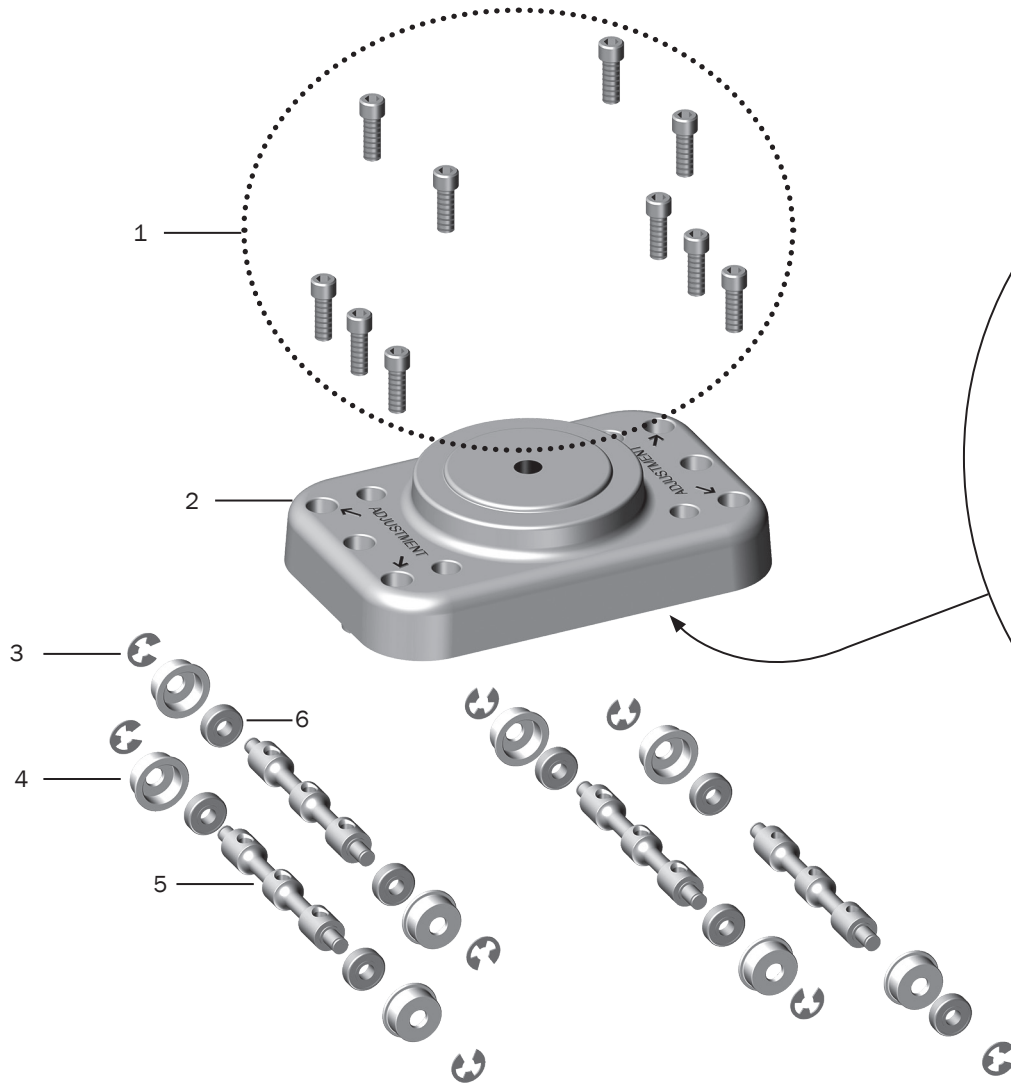
 page 42

## 591 Cabinet Track Trolley Mount



Item	Part Number	Description
1	005.058.00	Screw, pan head Phillips, 10-32 x 5/8, SST
2	042.664.00	Bumper
3	77.1332.01	Cover set, telescoping monitor arm
4	002.142.01	Screw, button head socket, 1/2-13 x 1
5	004.132.00	Washer, flat, SST, .500 ID
6	016.033.00	Bearing, trust needle, .500 ID x .937 OD x .078 long, steel
7	004.136.00	Washer, thrust bearing, .500 ID
8	016.133.00	Bearing, thrust, enclosed, 63 mm ID x 86 mm OD, steel

### 591 Trolley Assembly



(Inside Detail of Trolley Assembly)

Item	Part Number	Description
1	001.245.00	Screw, socket head, 1/4-20 x 3/4, patch, SST
2	77.1327.01	Trolley, telescoping monitor mount, white 2
3	010.053.00	Retaining ring, external, E-ring, .25 ID
4	77.1297.00	Trolley wheel, telescoping monitor mount
5	77.1295.00	Trolley axle
6	016.180.00	Bearing, ball, .250 ID x .625 OD

Replacement Kit	Description
57.0307.00	Trolley assembly (includes items 1 - 6)



**A-dec Headquarters**

2601 Crestview Drive  
Newberg, Oregon 97132  
United States

Tel: 1.800.547.1883 within USA/CAN

Tel: +1.503.538.7478 outside USA/CAN

Fax: 1.503.538.0276

[www.a-dec.com](http://www.a-dec.com)

**A-dec Australia**

Unit 8  
5-9 Ricketty Street  
Mascot, NSW 2020  
Australia

Tel: 1.800.225.010 within AUS

Tel: +61.(0).2.8332.4000 outside AUS

**A-dec China**

A-dec (Hangzhou) Dental Equipment Co., Ltd.  
528 Shunfeng Road  
Qianjiang Economic Development Zone  
Hangzhou 311106  
Zhejiang, China

Tel: +1.503.538.7478

**A-dec United Kingdom**

*EU Authorized Representative*  
Austin House, 11 Liberty Way  
Nuneaton, Warwickshire CV11 6RZ  
England

Tel: 0800.ADEC.UK (2332.85) within UK

Tel: +44.(0).24.7635.0901 outside UK