



A-dec Monitor Mount Handle

INSTALLATION GUIDE



A-dec Monitor Mount Handle on an A-dec 482 Monitor Mount

Complete the procedure for the system's configuration:

- "A-dec 381, 482, 531, 581, and Preference Collection Track Monitor Mount" below
- "A-dec 382 Monitor Mount" on page 7

A-dec 381, 482, 531, 581, and Preference Collection Track Monitor Mount

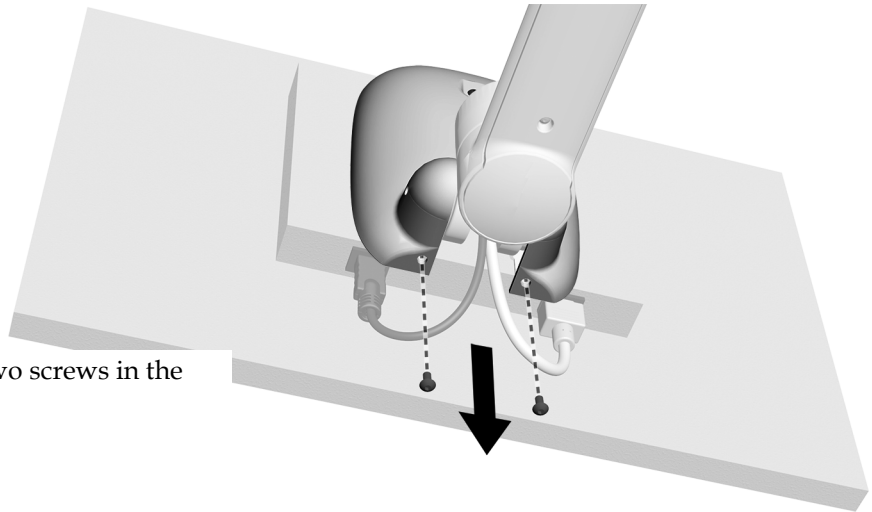
Remove the Back Cover

Recommended Tool

1/8" hex key

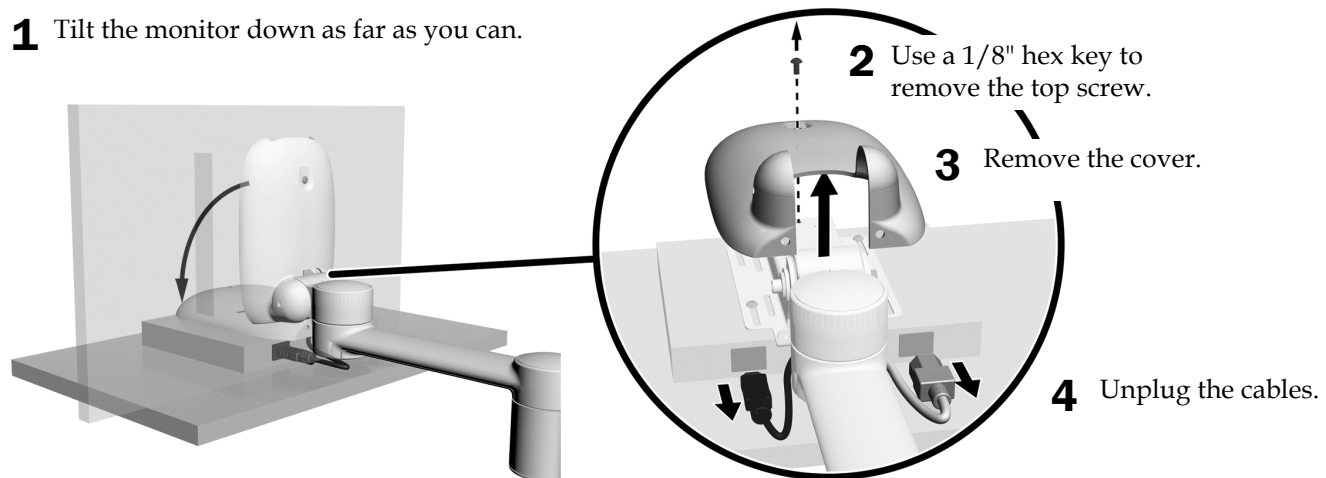
Task 1.

- 1 Tilt the monitor up.
- 2 Use a 1/8" hex key to remove the two screws in the bottom of the cover.



Task 2.

- 1 Tilt the monitor down as far as you can.



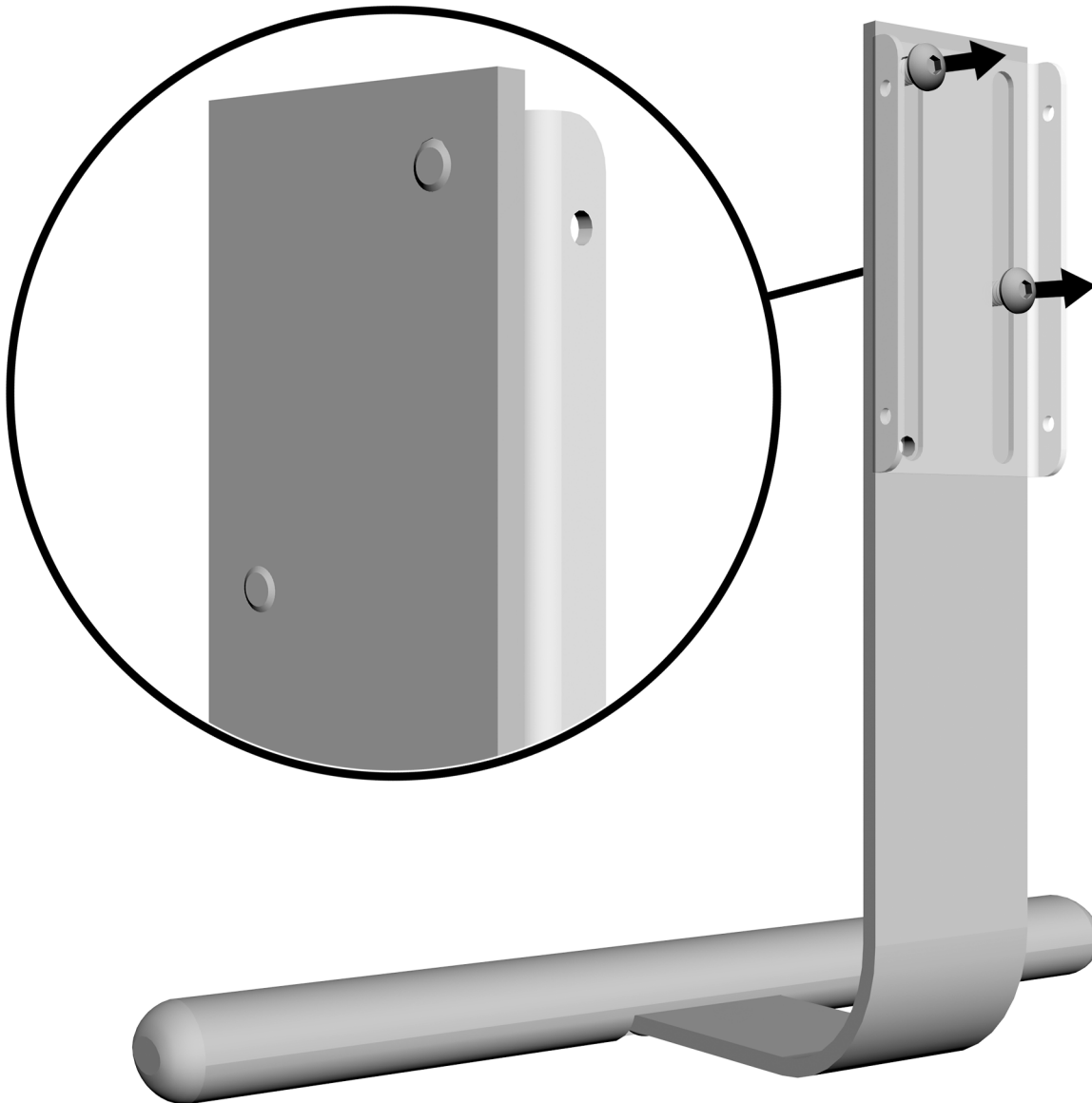
Install the Monitor Mount Handle

Recommended Tools

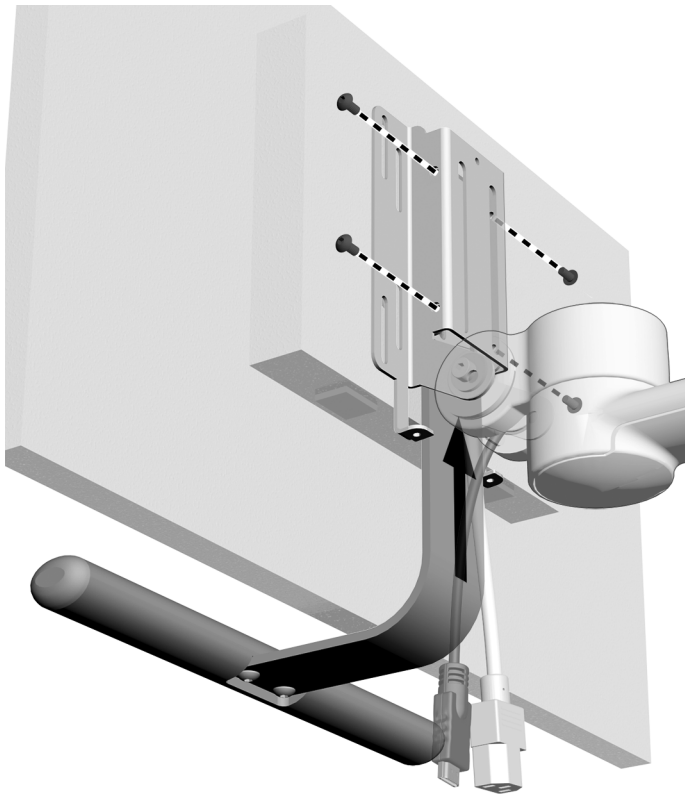
1/8" and 5/32" hex keys

Task 1.

- 1 Use a 5/32" hex key to loosen the screws until the screw tips are flush with the handle.



Task 2.



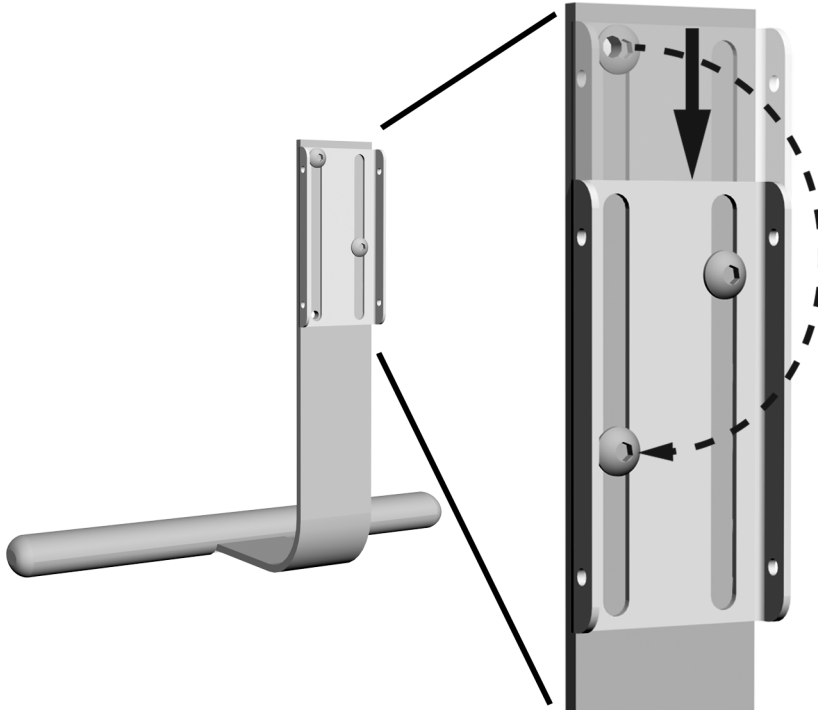
- 1** Tilt the monitor up.
- 2** Slide the handle up into the VESA bracket.
- 3** Use a 1/8" hex key to secure the handle's bracket to the VESA bracket.

Task 3.



- 1** Adjust the handle's position to the user's preference.
- 2** Use a 5/32" hex key to secure the handle.

! **NOTE** To position the handle closer to the monitor, move the bracket lower on the handle. Use a 5/32" hex key to move the top screw to the lower position on the handle.

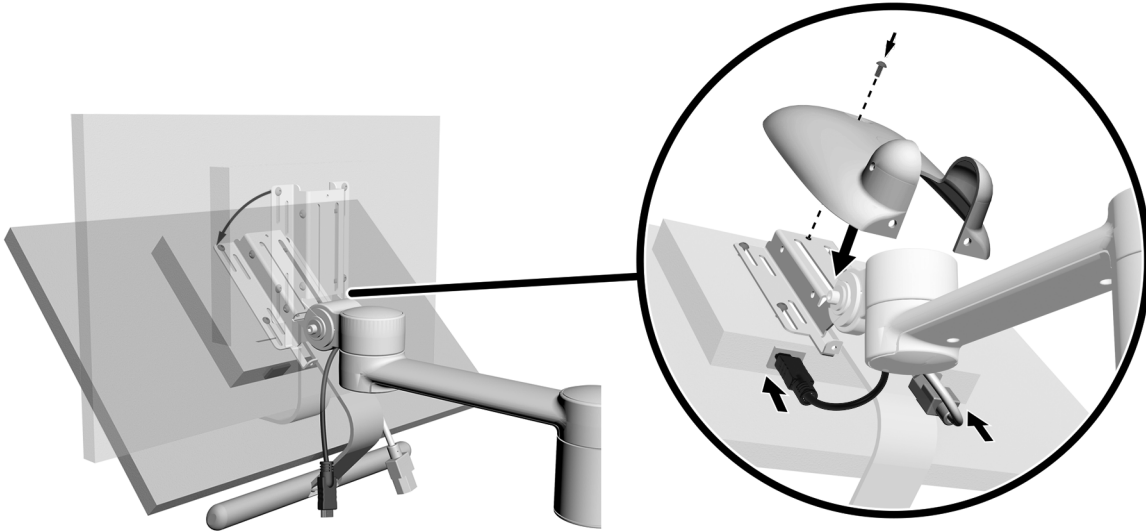


Install the Back Cover

Recommended Tool

1/8" hex key

Task 1.



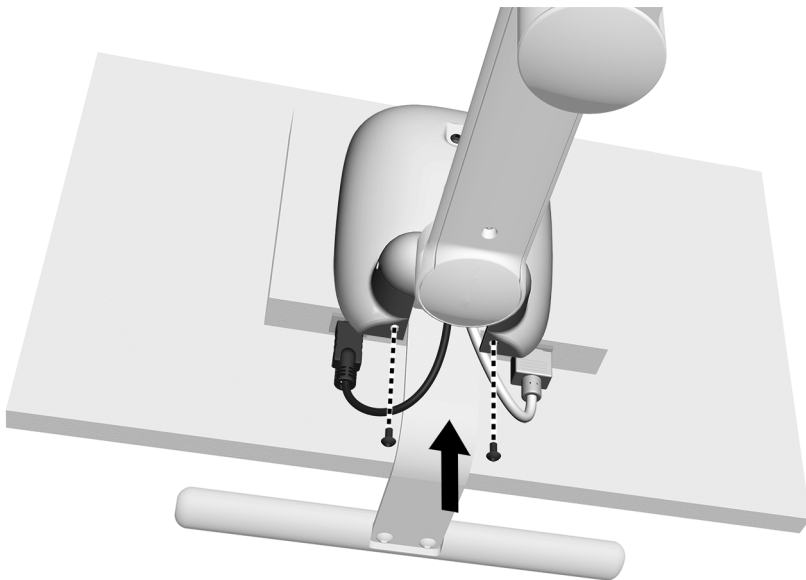
1 Tilt the monitor down as far as you can.

2 Plug in the cables.

3 Place the cover over the bracket.

4 Use a 1/8" hex key to install the top screw.

Task 2.



1 Tilt the monitor up.

2 Use a 1/8" hex key to install two screws in the bottom of the cover.

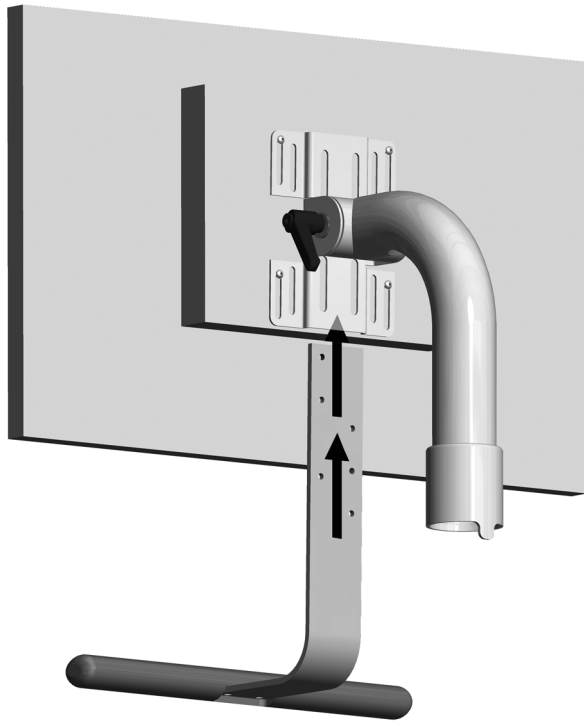
A-dec 382 Monitor Mount

Recommended Tool

5/32" hex key



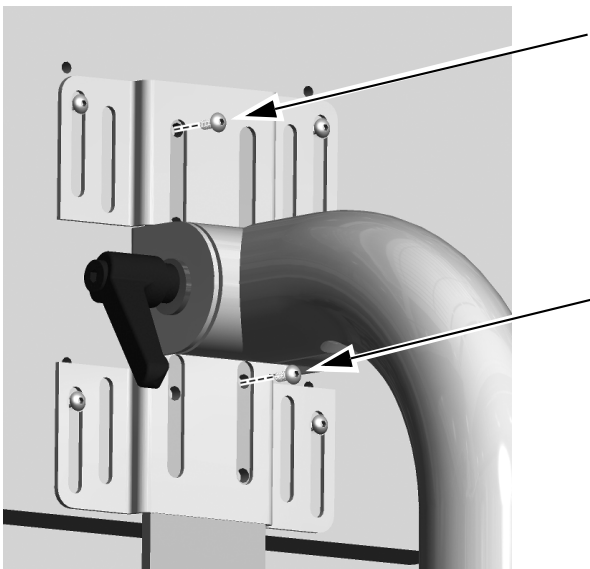
NOTE The 382 monitor mount does not have a cover.



1 If there is a bracket installed on the handle, remove it now.

2 Tilt the monitor up.

3 Slide the handle up into the VESA bracket.



4 Use a 5/32" hex key to secure the handle to the VESA bracket.



NOTE To change the handle position, use a 5/32" hex key to loosen the screws, move the handle up or down, and tighten the screws again.

Regulatory Information

Regulatory information is provided with A-dec equipment as mandated by agency requirements. This information is delivered in the equipment's *Instructions for Use* or the separate *Regulatory Information and Specifications* document. If you need this information, please go to the Document Library at www.a-dec.com.

A-dec Headquarters

2601 Crestview Drive
Newberg, OR 97132 USA
Tel:1.800.547.1883 Within USA/Canada
Tel:1.503.538.7478 Outside USA/Canada
Fax:1.503.538.0276
www.a-dec.com / www.a-dec.biz

A-dec Inc. makes no warranty of any kind with regard to the content in this document including, but not limited to, the implied warranties of merchantability and fitness for a particular purpose.



86.0490.00 Rev B
Copyright 2014 A-dec Inc.
All rights reserved.
IGgphpor9